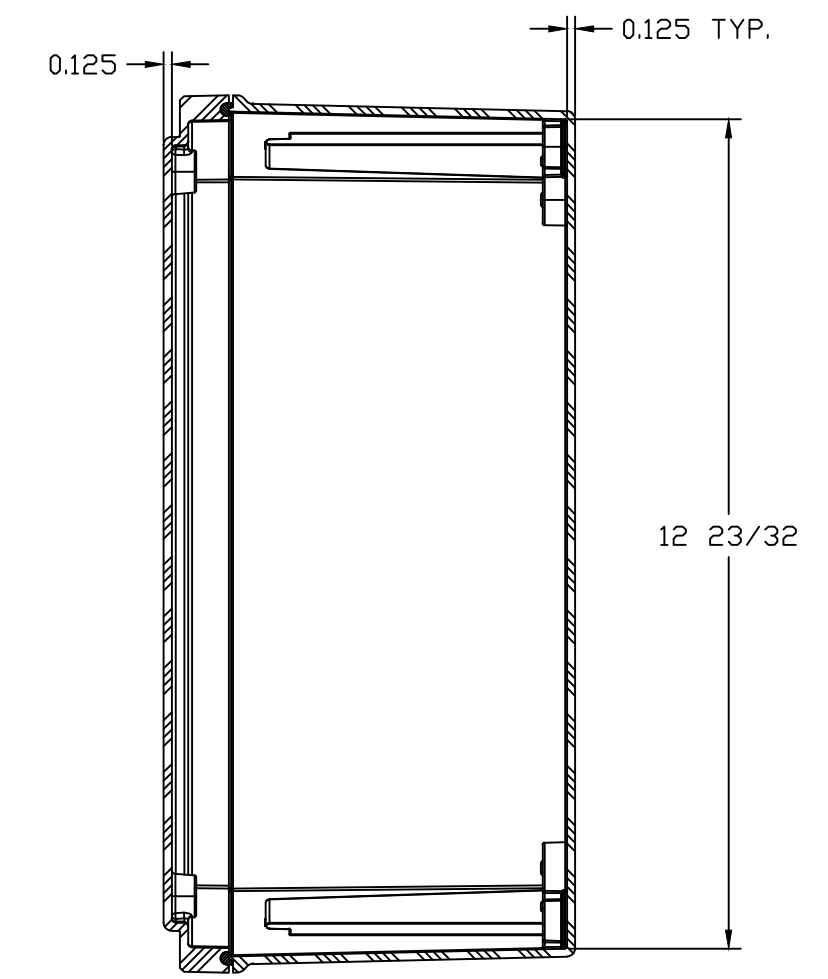
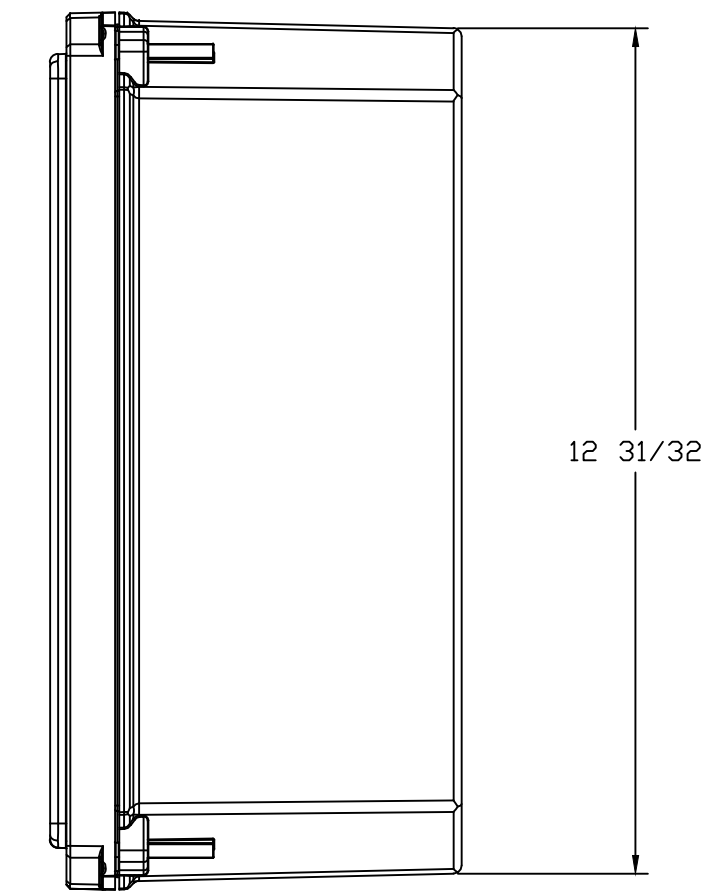
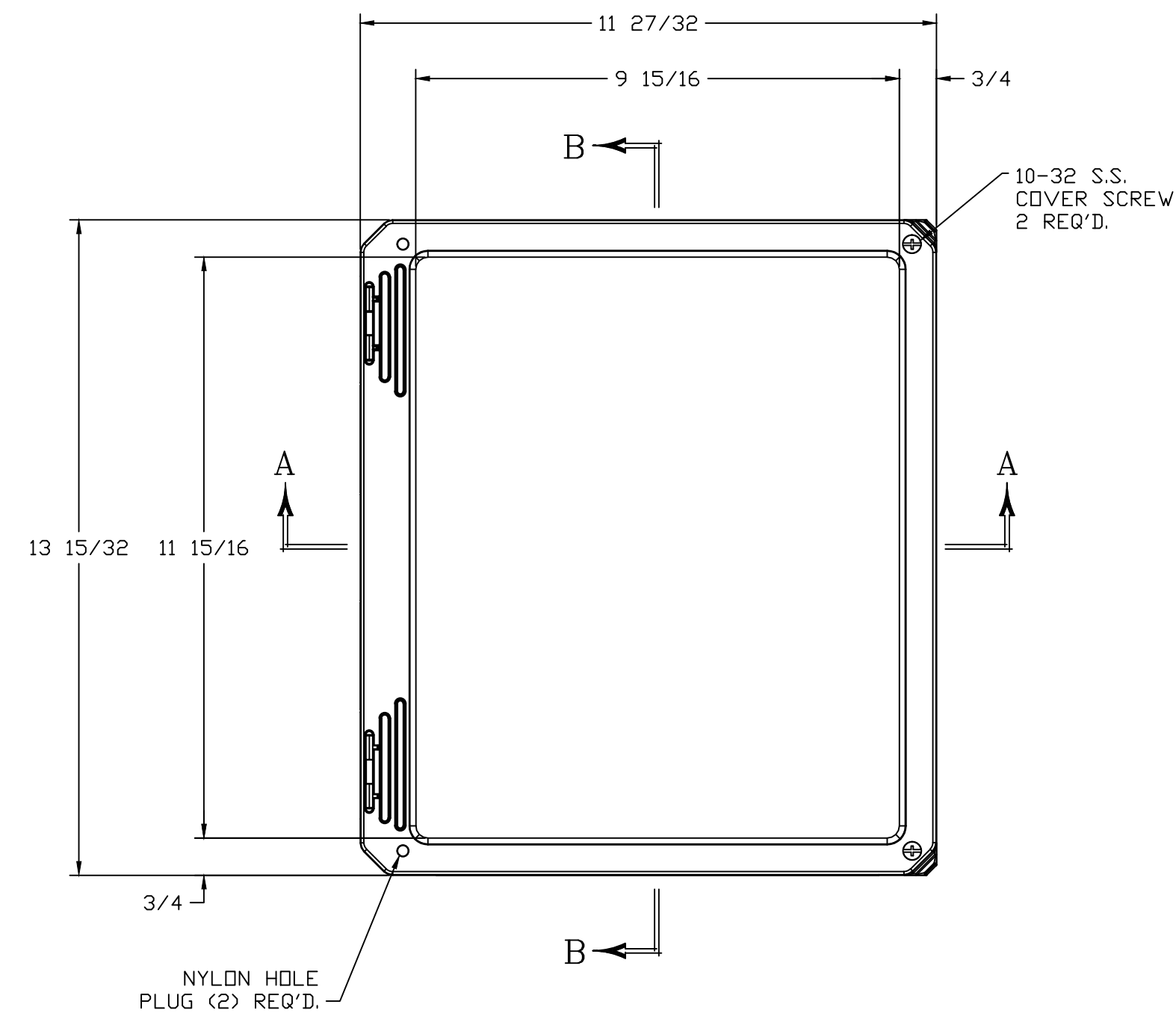
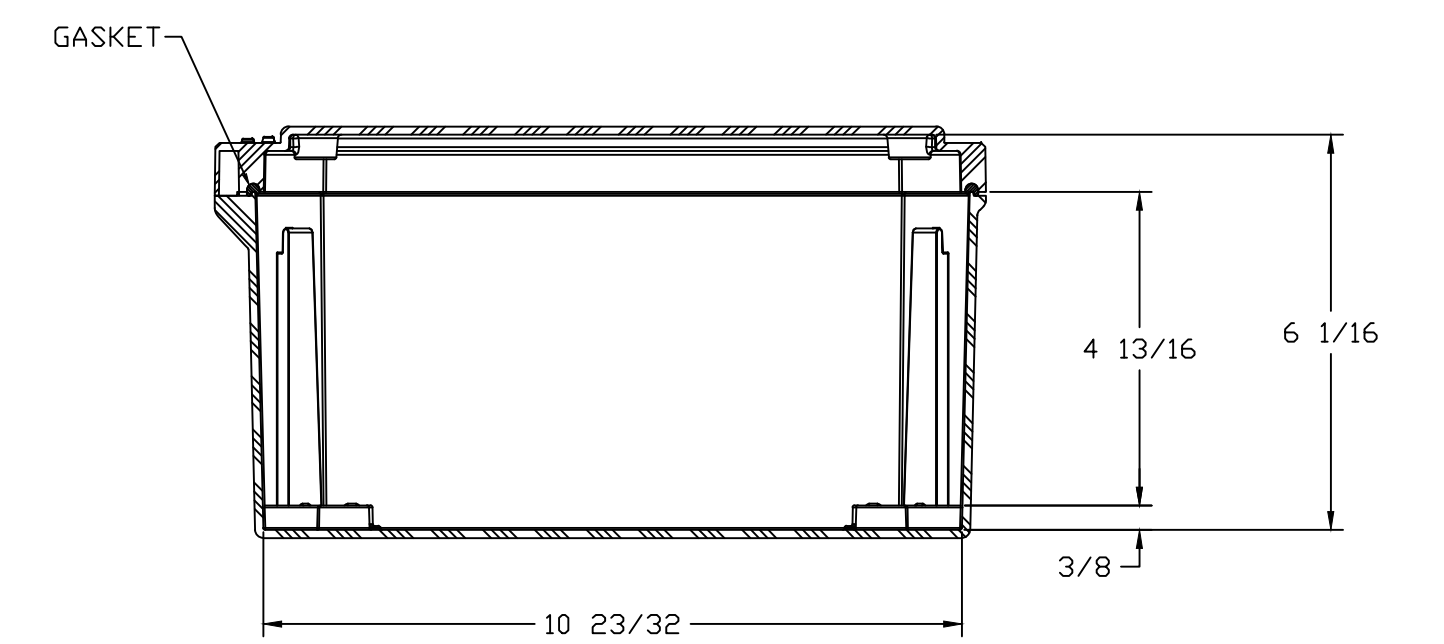
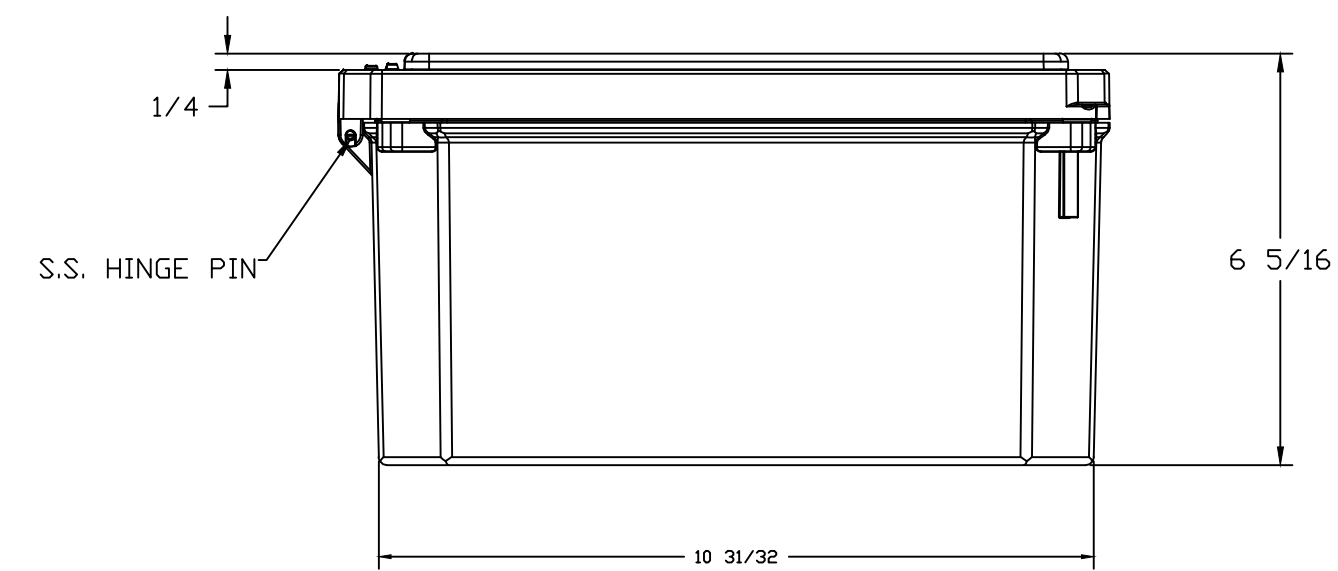


WITH COVER REMOVED




SECTION B-B



SECTION A-A

NOTES:

COLOR: GLACIER GRAY RR1013				TOLERANCES UNLESS SPECIFIED		DECIMAL ± .010	FRACTIONAL ± 1/32
NEMA 1, 3, 3S, 4X, 12, 13 IP66				DR. BY ZJB	DATE 4/2/03	 BELDING, MICHIGAN 48809	
MATERIAL F.R. POLYESTER FIBERGLASS				CHK. BY	DATE		
LET.	REVISION RECORD	DATE	BY	CHD.	APD. BY	DATE	CUSTOMER
							AutoCAD DWG. FILE DS121006HW
				SCALE DD NDT SCALE	PART NAME ENCLOSURE		PART NO. DS121006HW