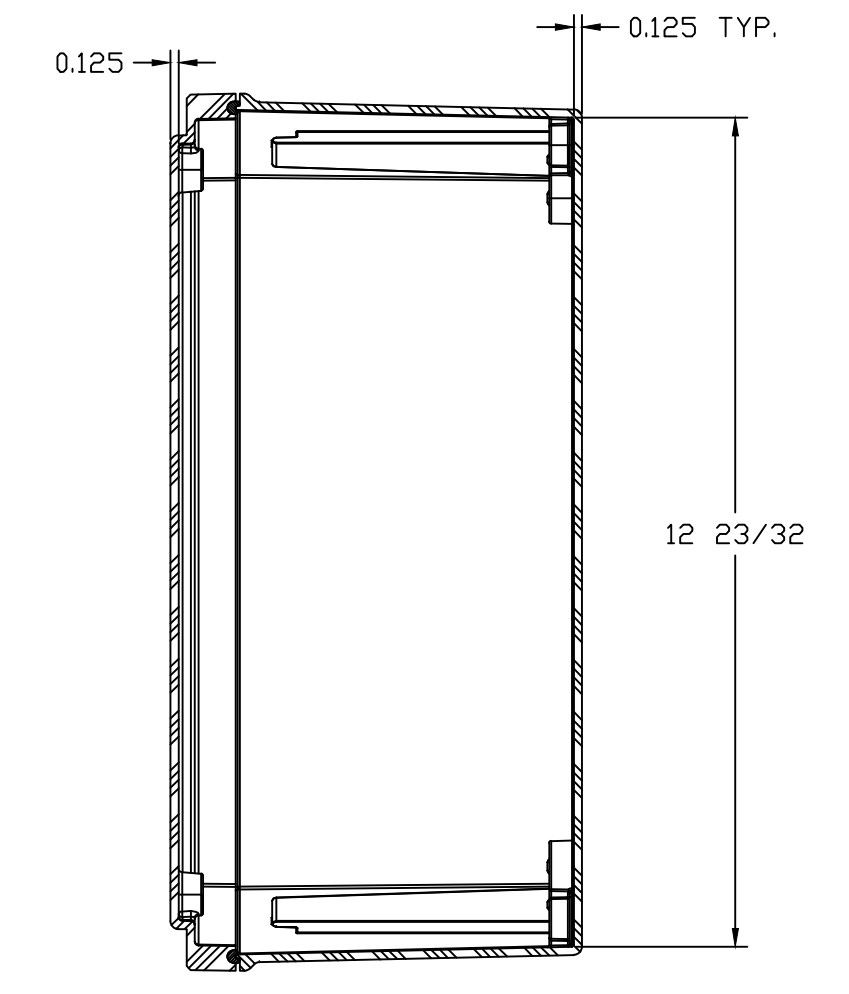
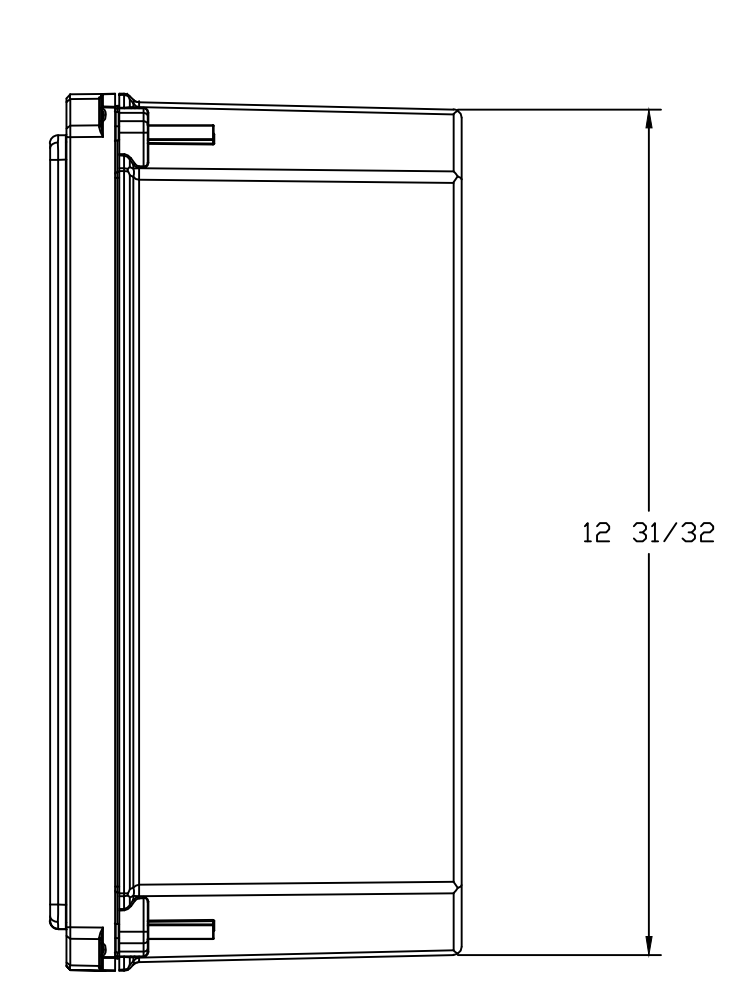
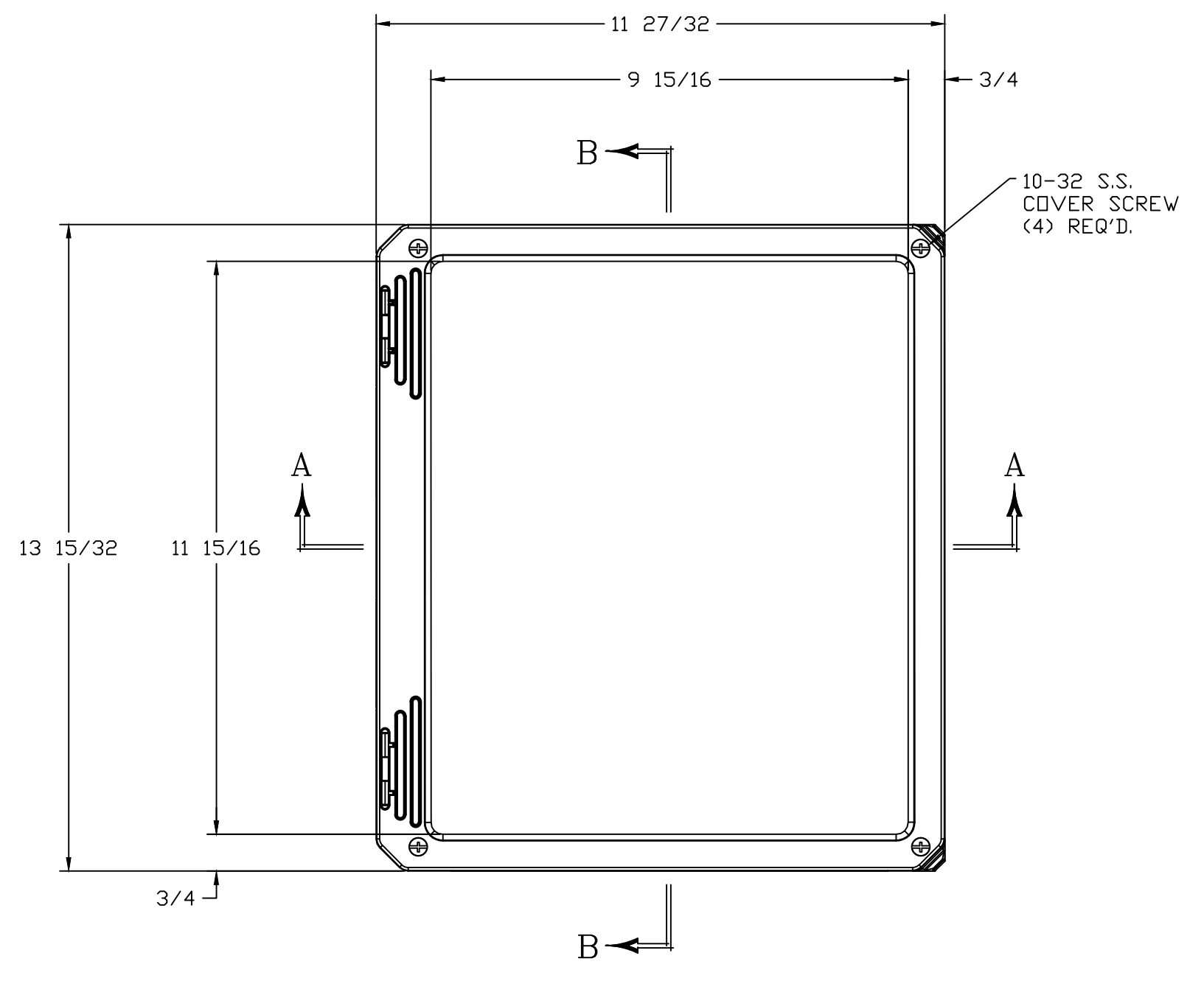
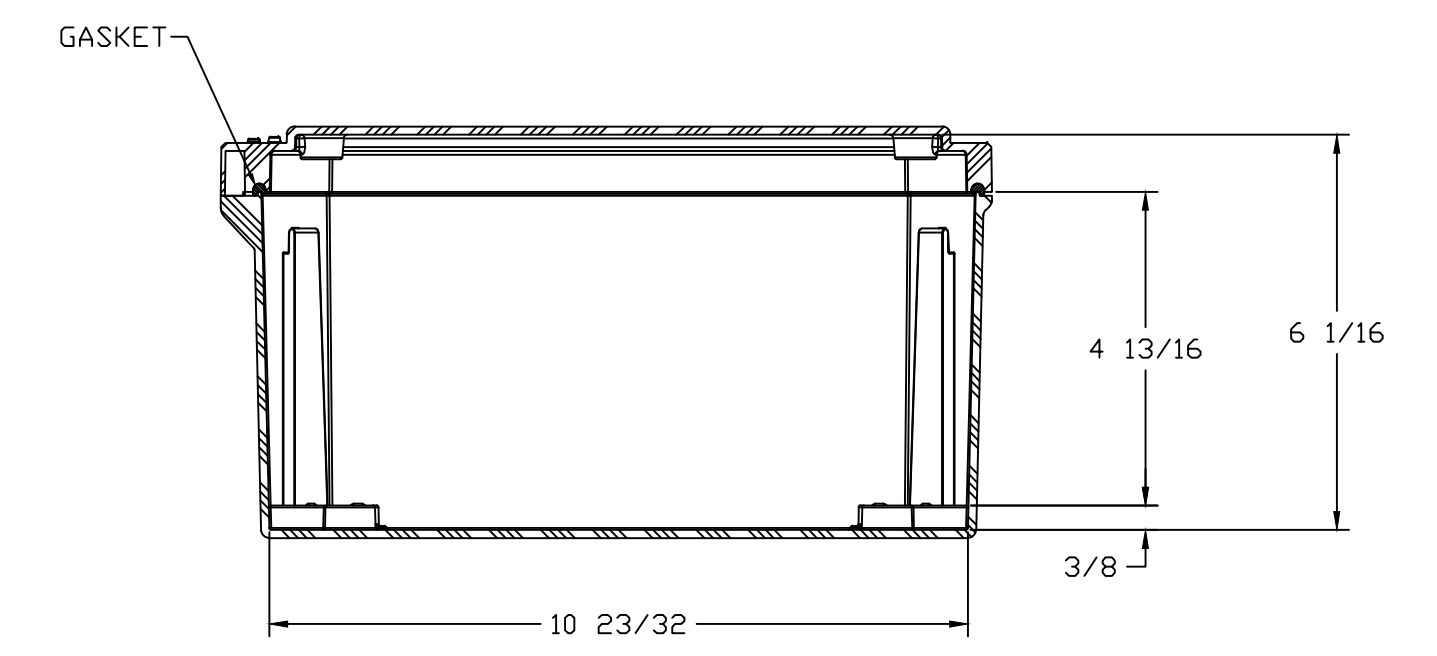
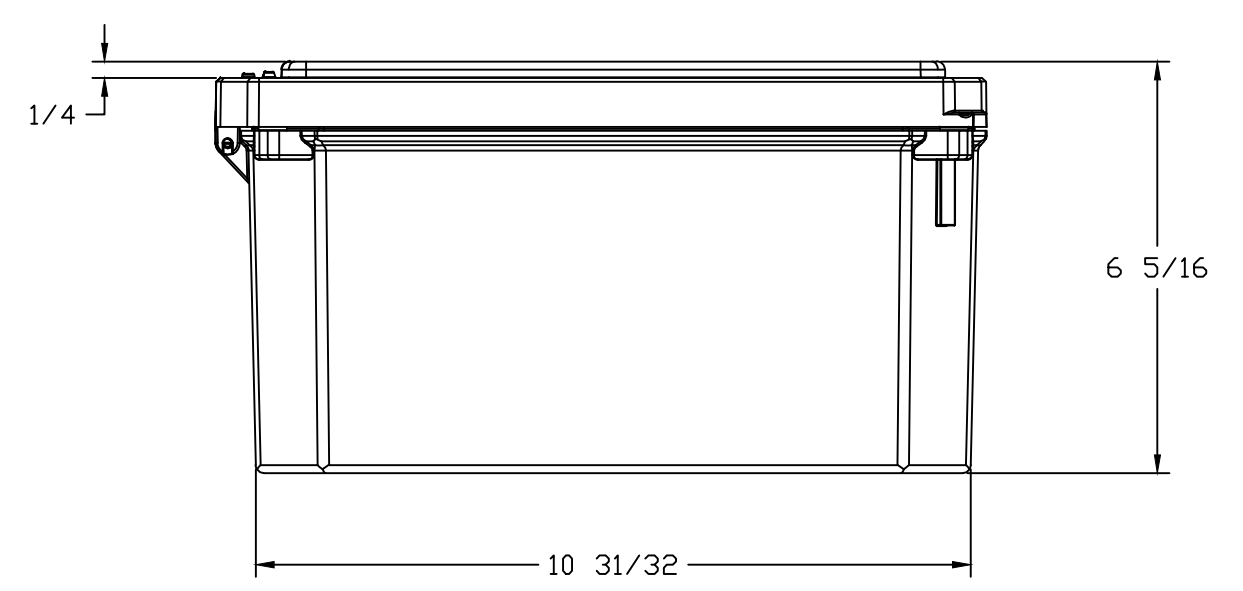


WITH COVER REMOVED



SECTION B-B



SECTION A-A

NOTES:

MATERIAL		F.R. POLYESTER FIBERGLASS		NEMA 1, 3, 3S, 4X, 12, 13 IP66		COLOR: GLACIER GRAY RR1013		TOLERANCES UNLESS SPECIFIED		DECIMAL ± .010		FRACTIONAL ± 1/32	
DR. BY	DATE	DR. BY	DATE	DR. BY	DATE	ZJB 4/28/03		STAHLIN ENCLOSURES		DIVISION OF ROBBY INDUSTRIES		BELDING, MICHIGAN 48809	
LET.	REVISION RECORD	DATE	BY	CHD.	CHK. BY	DATE	APD. BY	DATE	CUSTOMER	AutoCAD DWG. FILE		DS121006W	
SCALE		PART NAME		ENCLOSURE		PART NO.		DS121006W		SCALE		DO NOT SCALE	