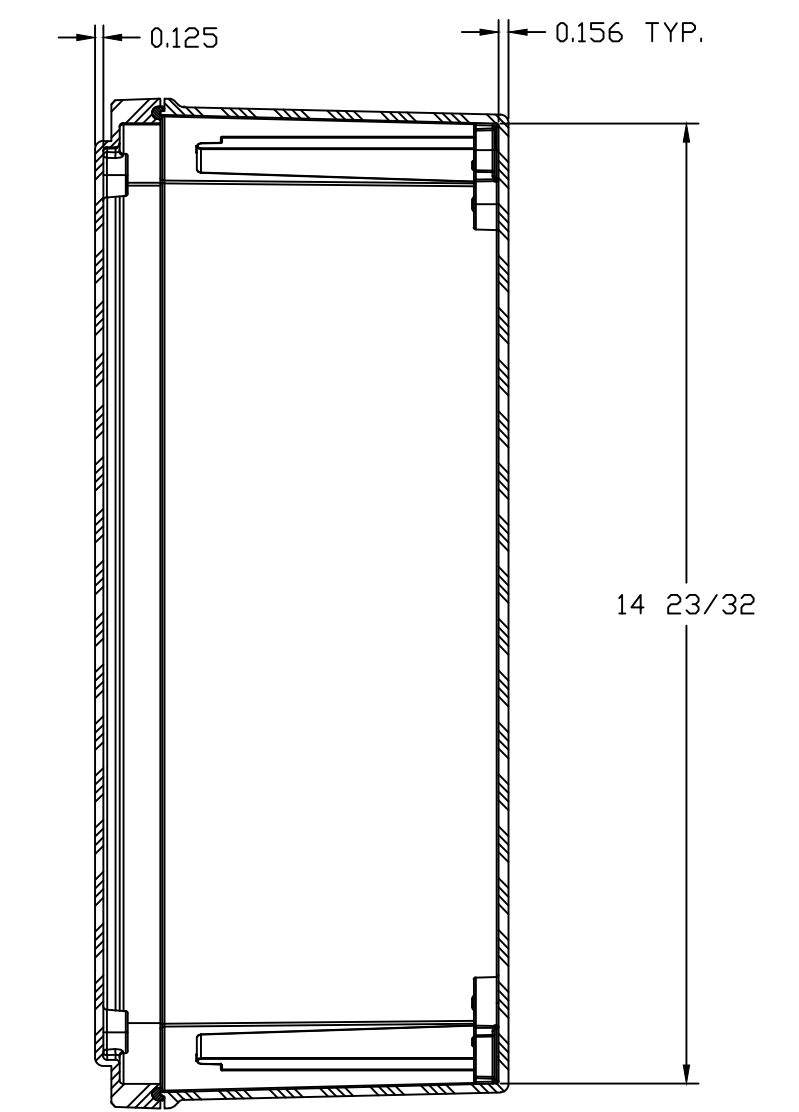
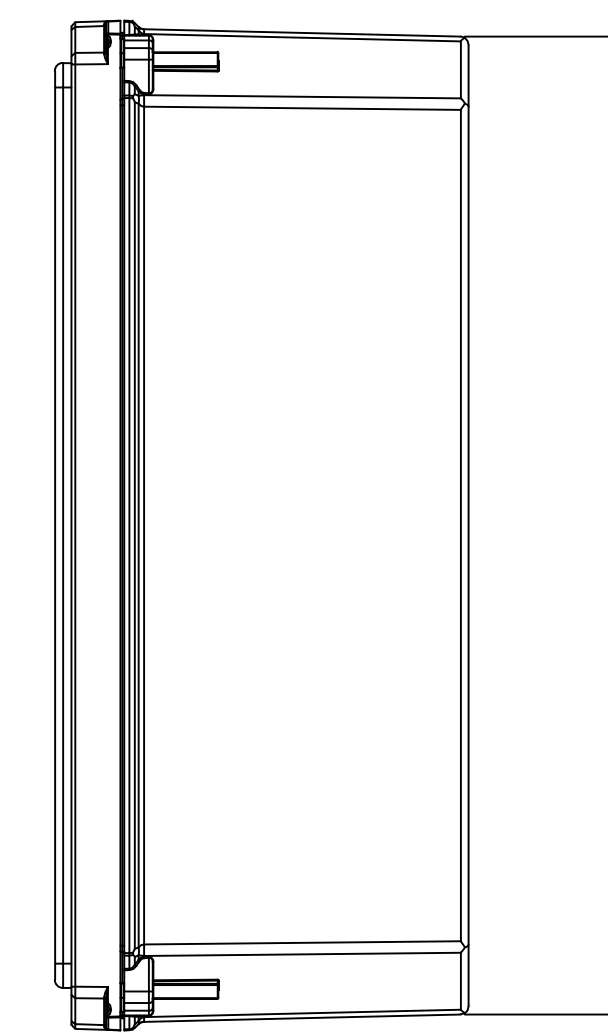
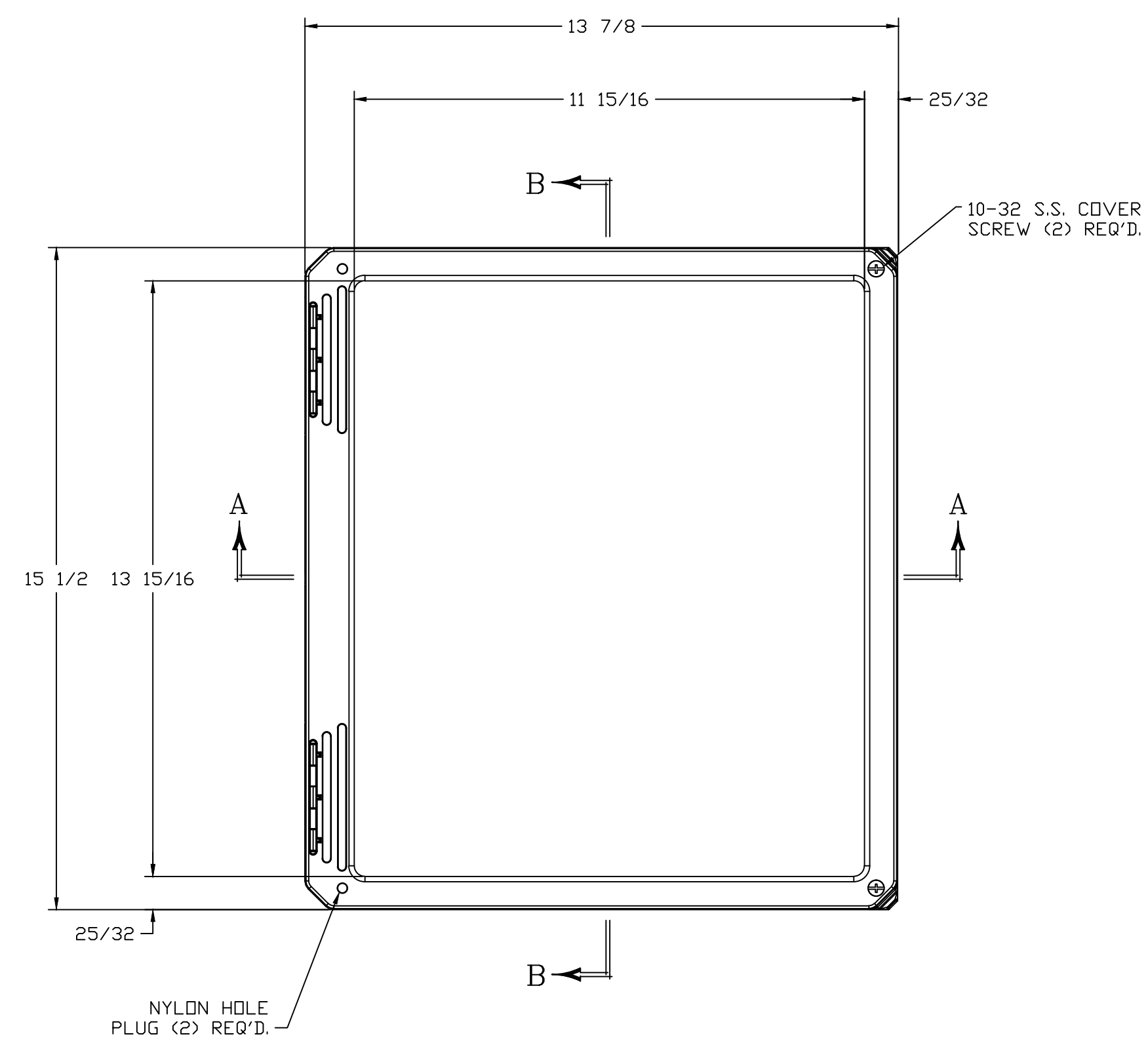
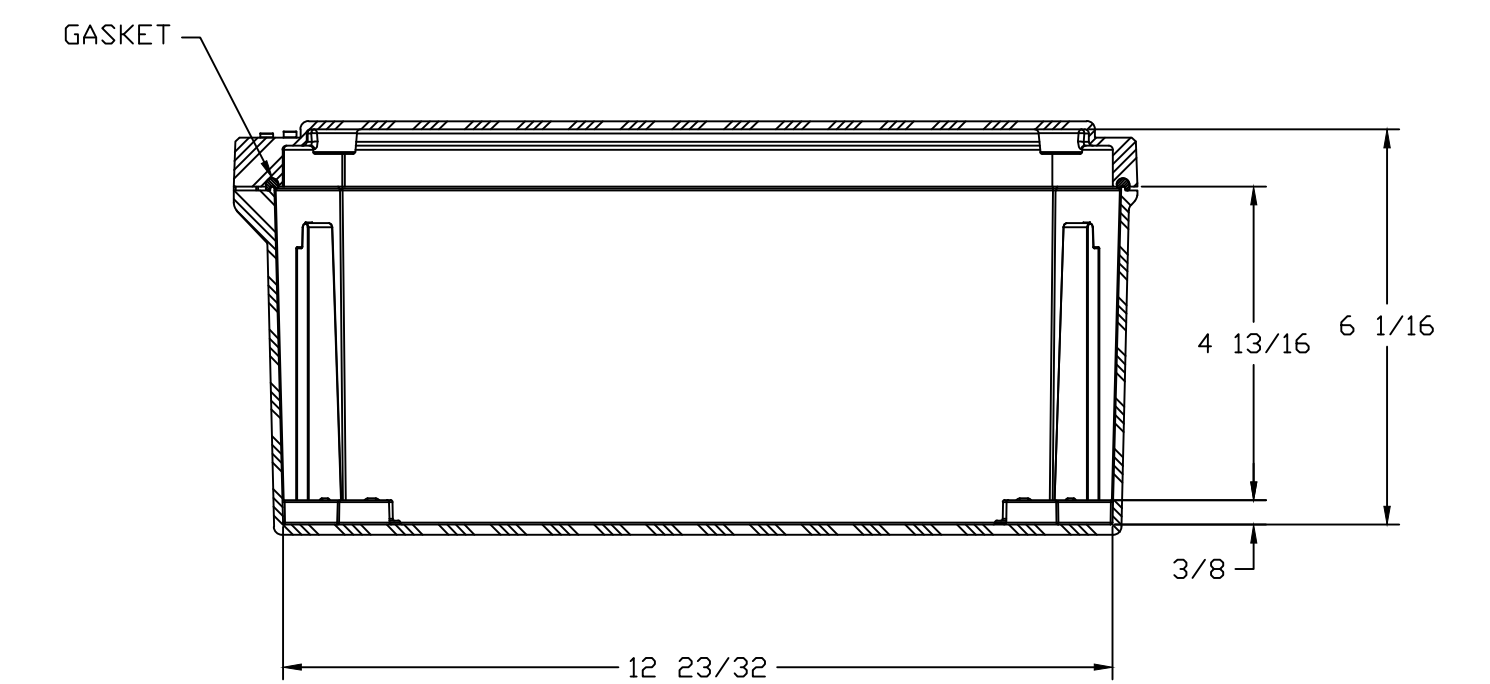
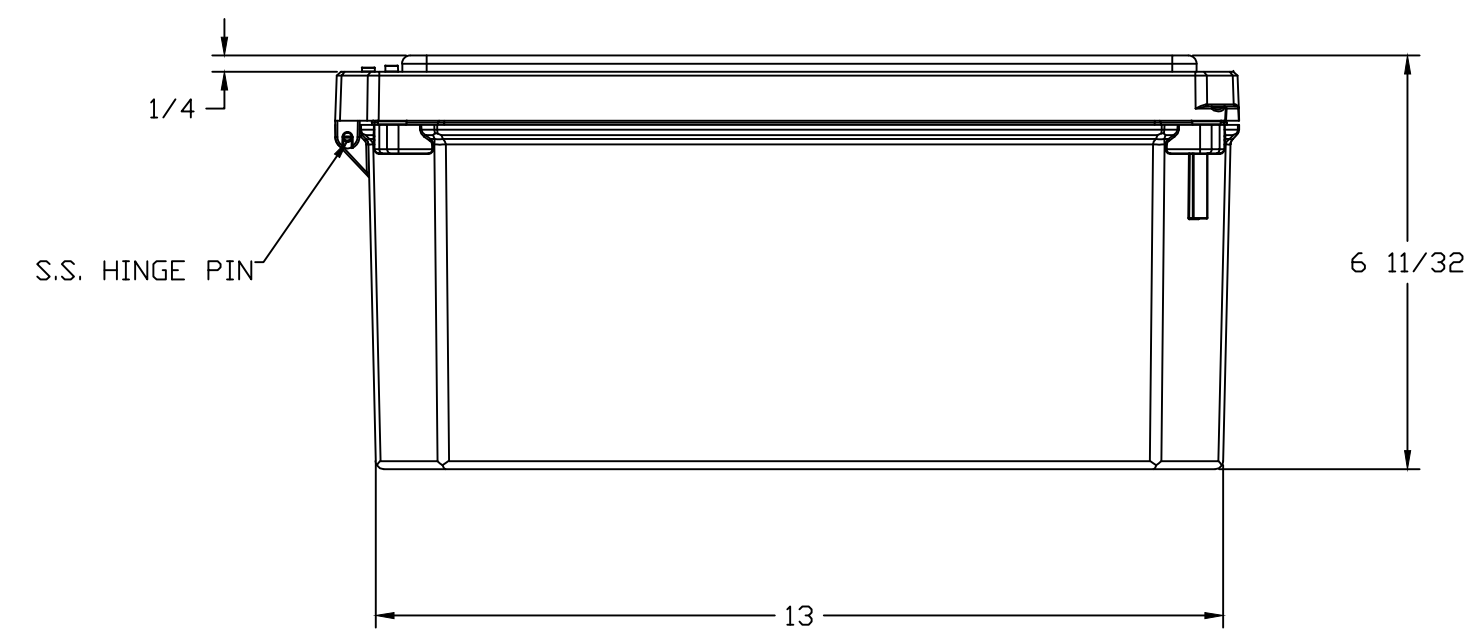


WITH COVER REMOVED




SECTION B-B



SECTION A-A

NOTES:

COLOR: GLACIER GRAY RR1013				TOLERANCES UNLESS SPECIFIED		DECIMAL ± .010	FRACTIONAL ± 1/32
MATERIAL NEMA 1, 3, 3S, 4X, 12, 13 IP66				DR. BY ZJB	DATE 4/28/03	 BELDING, MICHIGAN 48809	
F.R. POLYESTER FIBERGLASS				CHK. BY	DATE		
LET.	REVISION RECORD	DATE	BY	CHD.	APD. BY	DATE	CUSTOMER
							AutoCAD DWG. FILE DS141206HW
SCALE DD NDT SCALE				PART NAME ENCLOSURE		PART NO. DS141206HW	