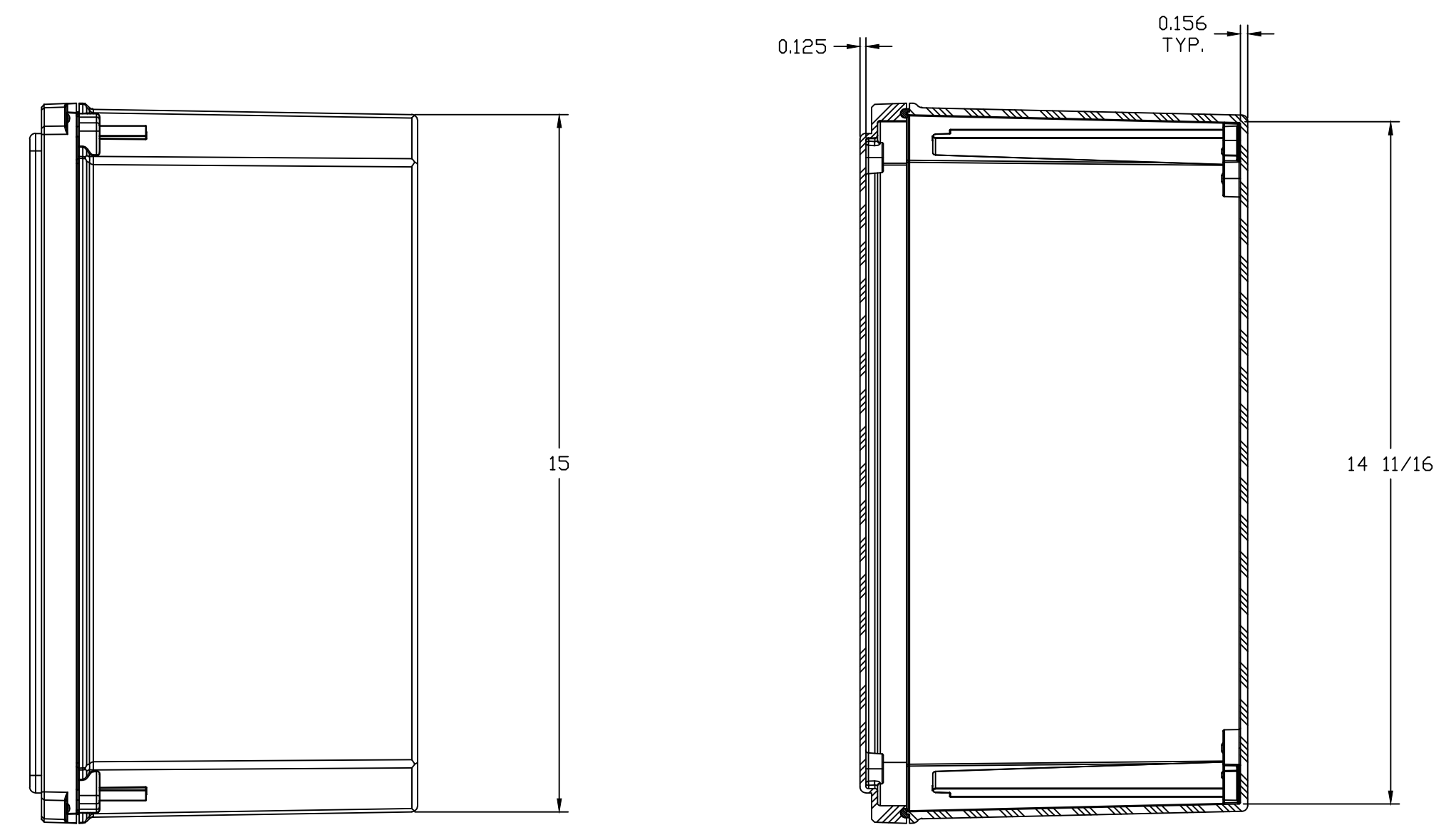
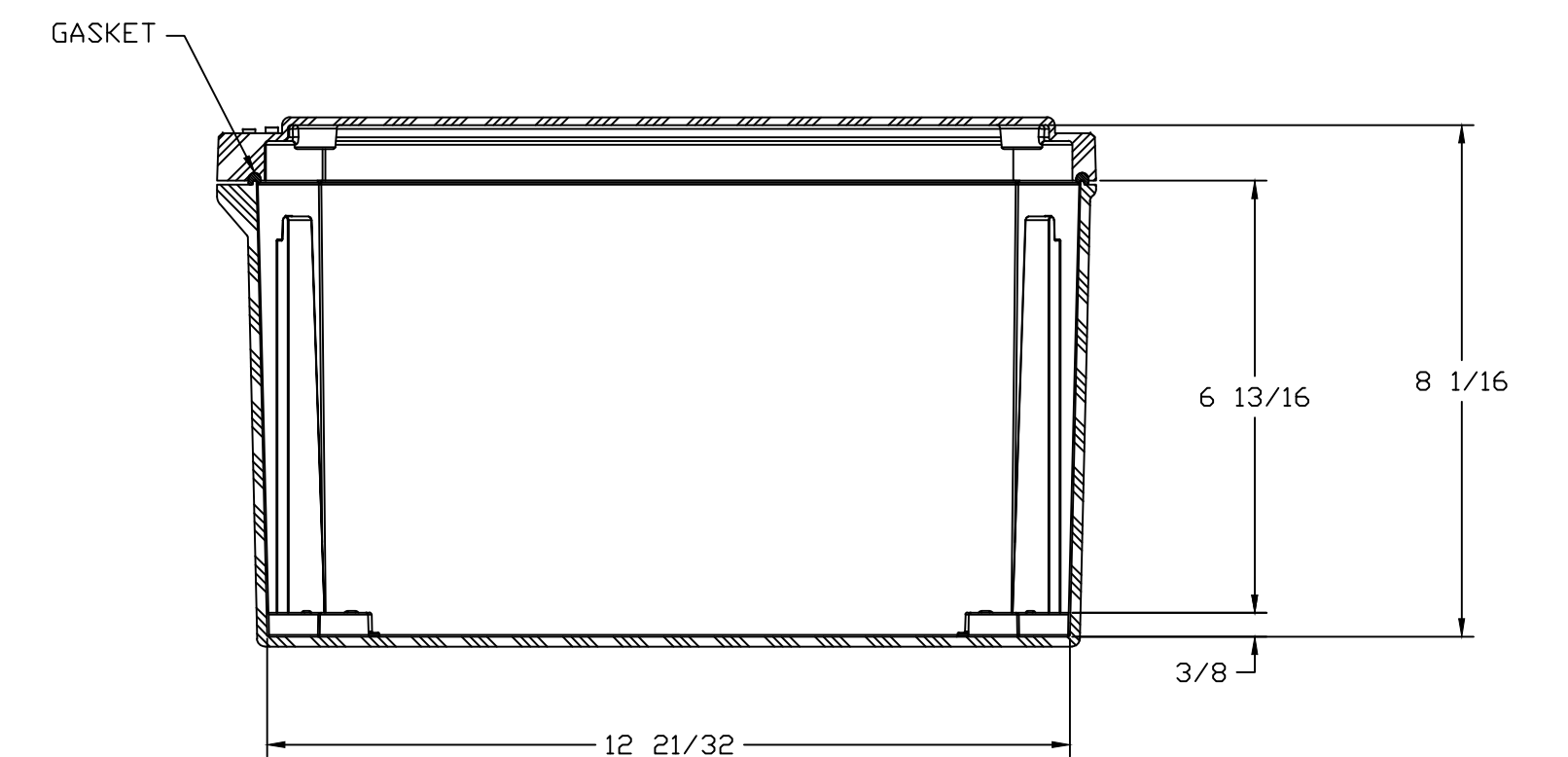
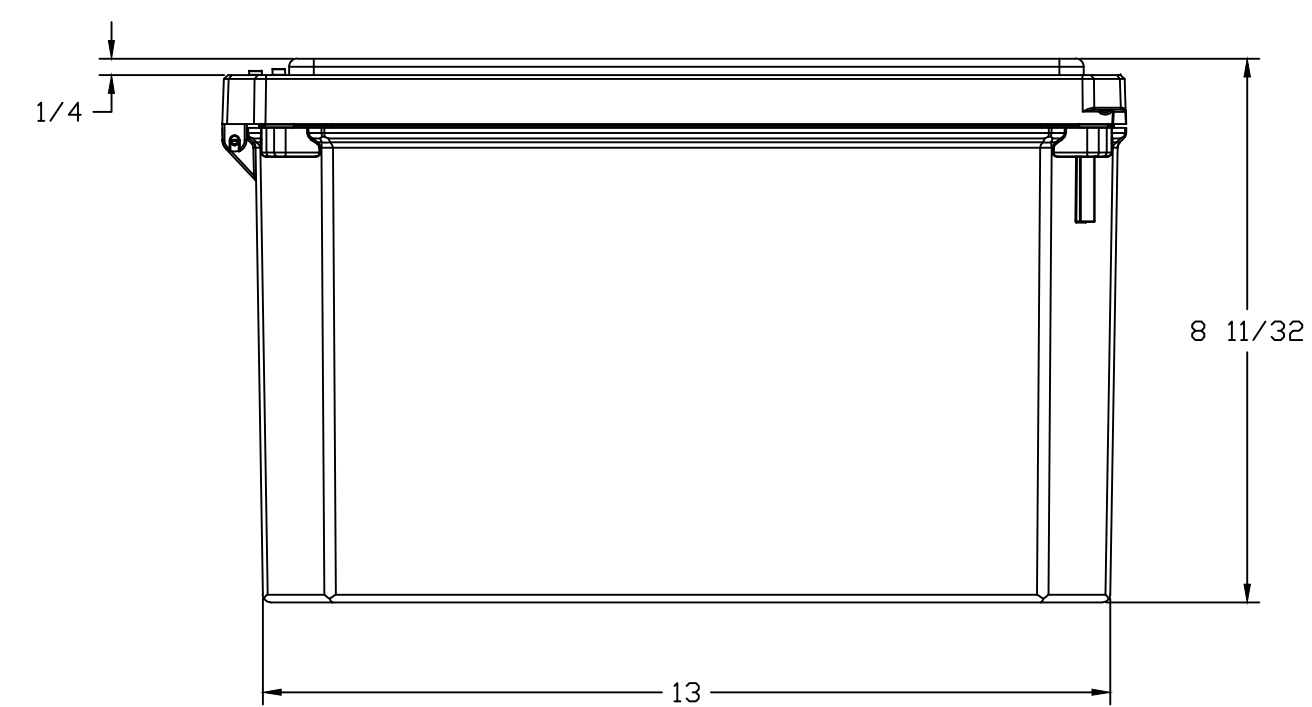


WITH COVER REMOVED



SECTION B-B



SECTION A-A

MATERIAL		F.R. POLYESTER FIBERGLASS		DR. BY	ZJB	DATE	5/5/03	COLOR: GLACIER GRAY RR1013		TOLERANCES UNLESS SPECIFIED		DECIMAL ± .010	FRACTIONAL ± 1/32
LET.	REVISION RECORD	DATE	BY	CHD.	CHK. BY	DATE	APD. BY	DATE	NEMA 1, 3, 3S, 4X, 12, 13 IP66		STAHLIN ENCLOSURES DIVISION OF ROBROY INDUSTRIES		
								CUSTOMER		BELDING, MICHIGAN 48809			
								SCALE DD NDT SCALE		PART NAME ENCLOSURE		PART NO. DS141208W	
										AutoCAD DWG. FILE DS141208W			