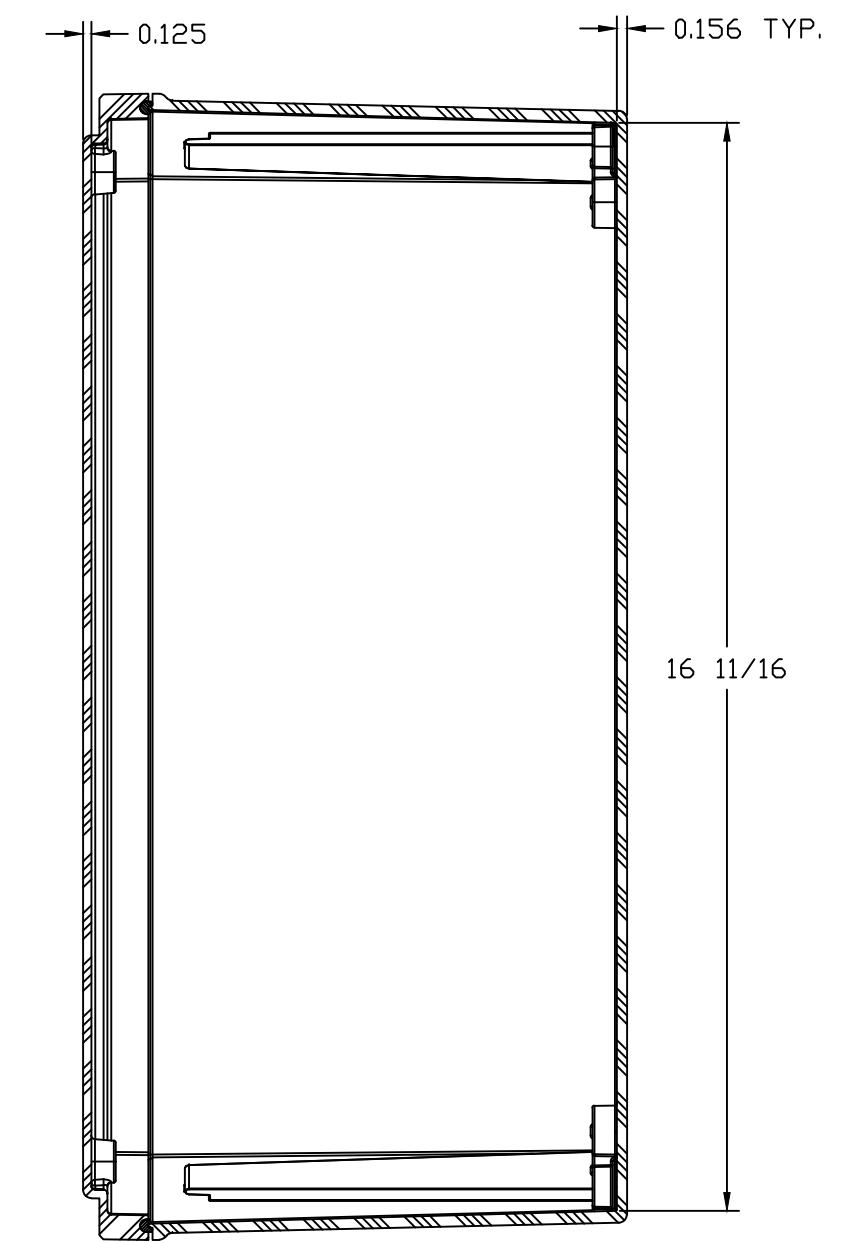
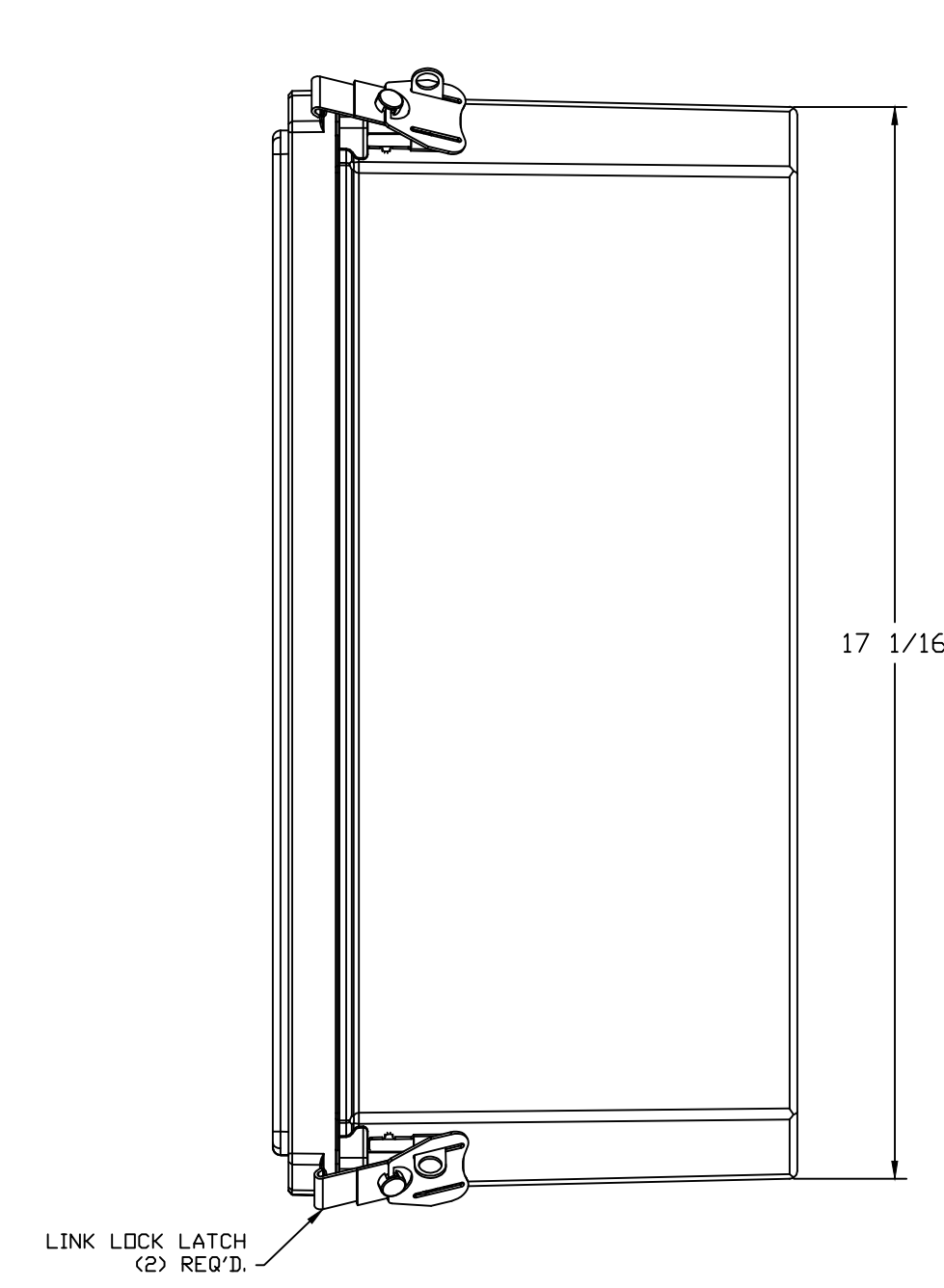
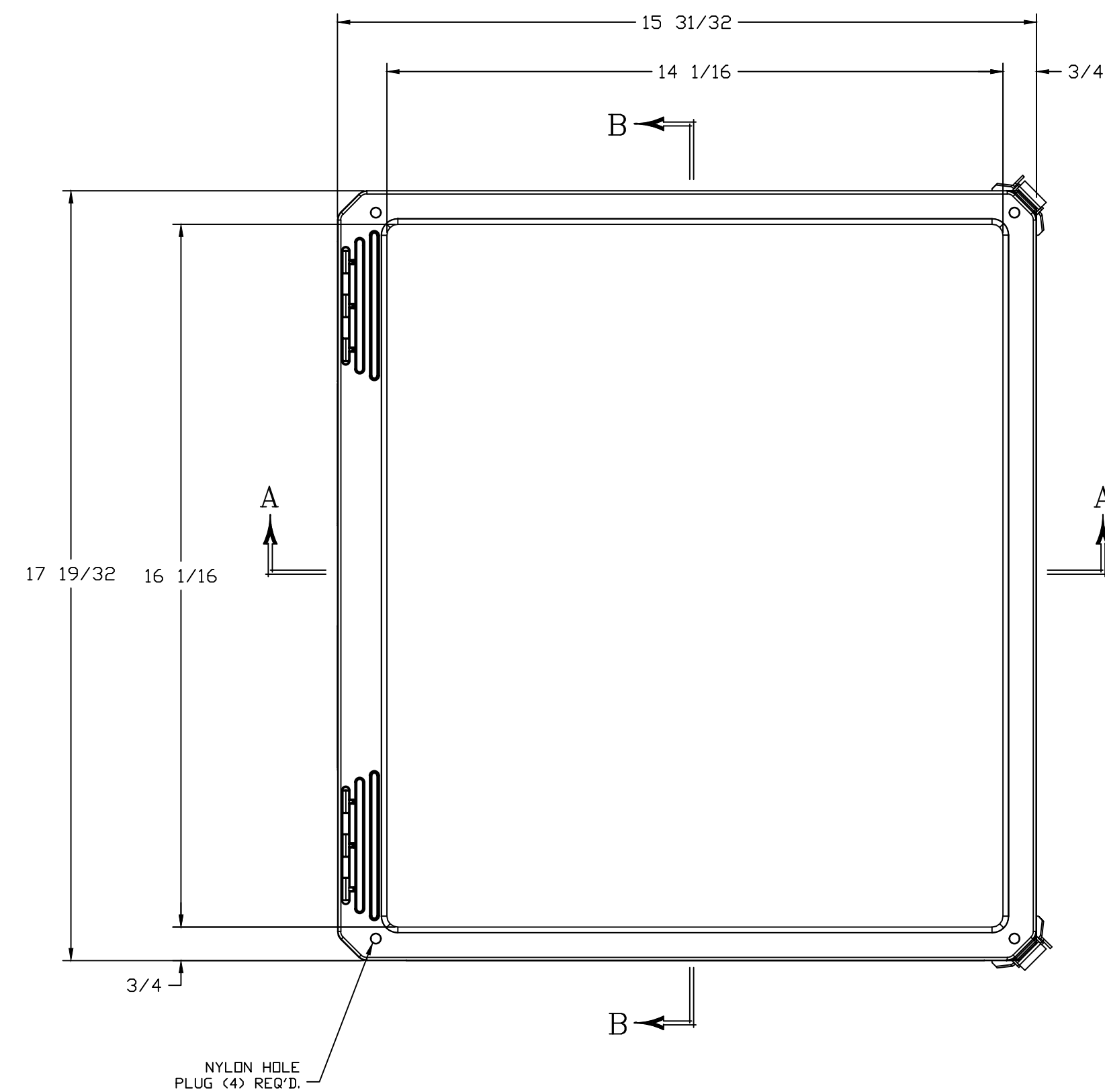
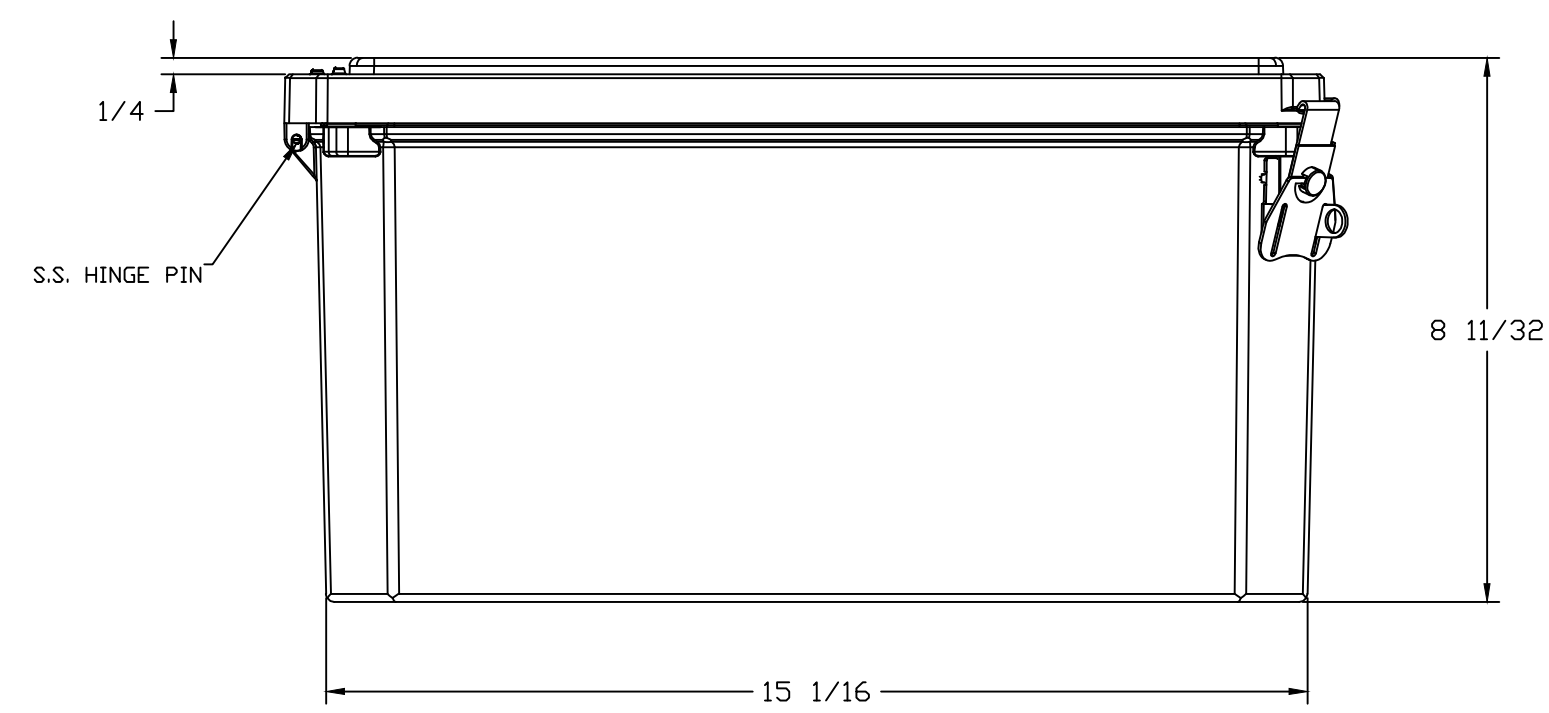


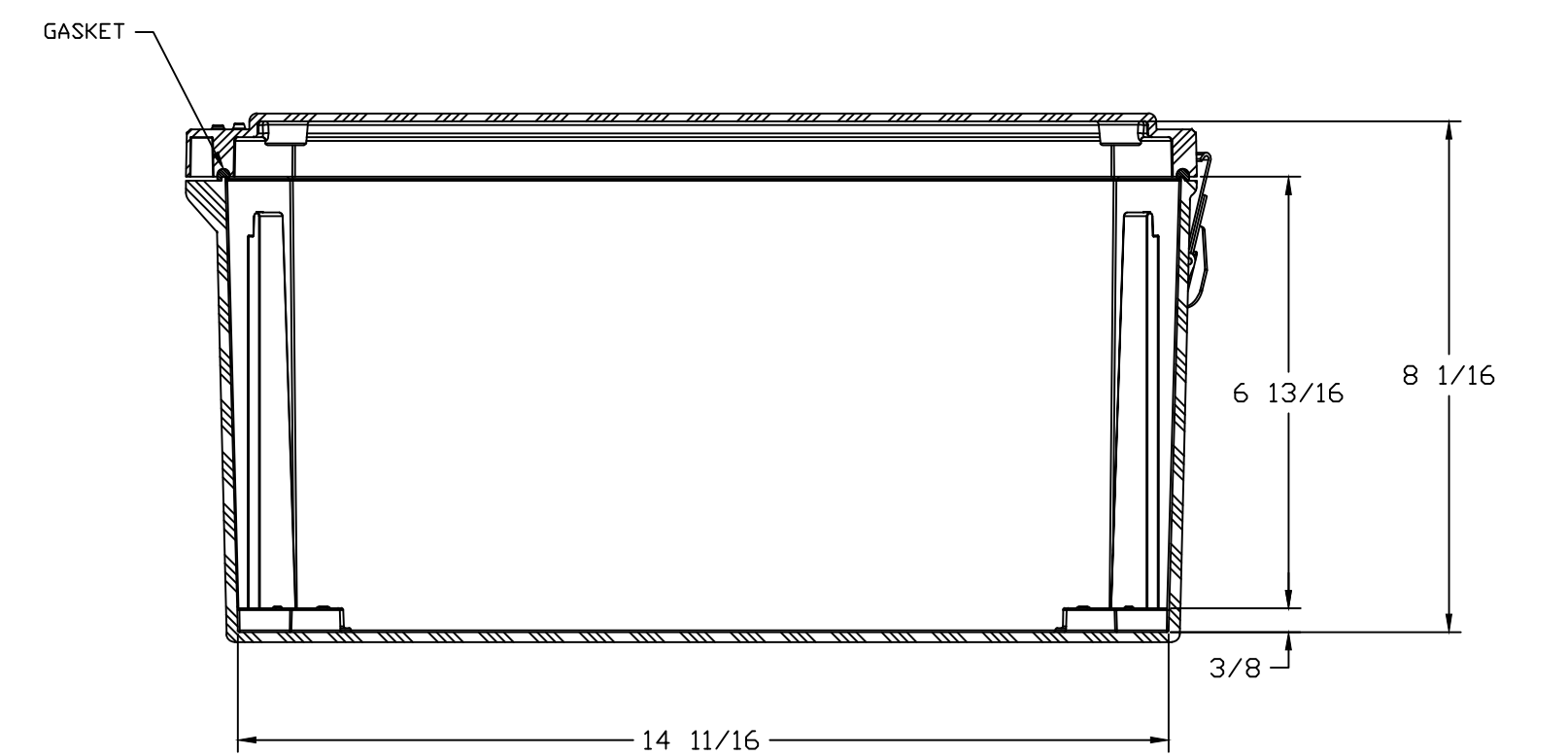
WITH COVER REMOVED



SECTION B-B



SECTION A-A



NOTES:

NEMA 1, 3, 3S, 4X, 12, 13 IP66		TOLERANCES UNLESS SPECIFIED		DECIMAL ± .010	FRACTIONAL ± 1/32
MATERIAL F.R. POLYESTER FIBERGLASS		COLOR GLACIER GRAY RR1013		DR. BY ZJB DATE 5/19/03	
LET.	REVISION RECORD	DATE	BY	CHK. BY	CHD.
APD. BY		DATE	CUSTOMER		AutoCAD DWG. FILE DS161408HLL
SCALE 1:1		PART NAME ENCLOSURE		PART NO. DS161408HLL	



BELDING, MICHIGAN 48809