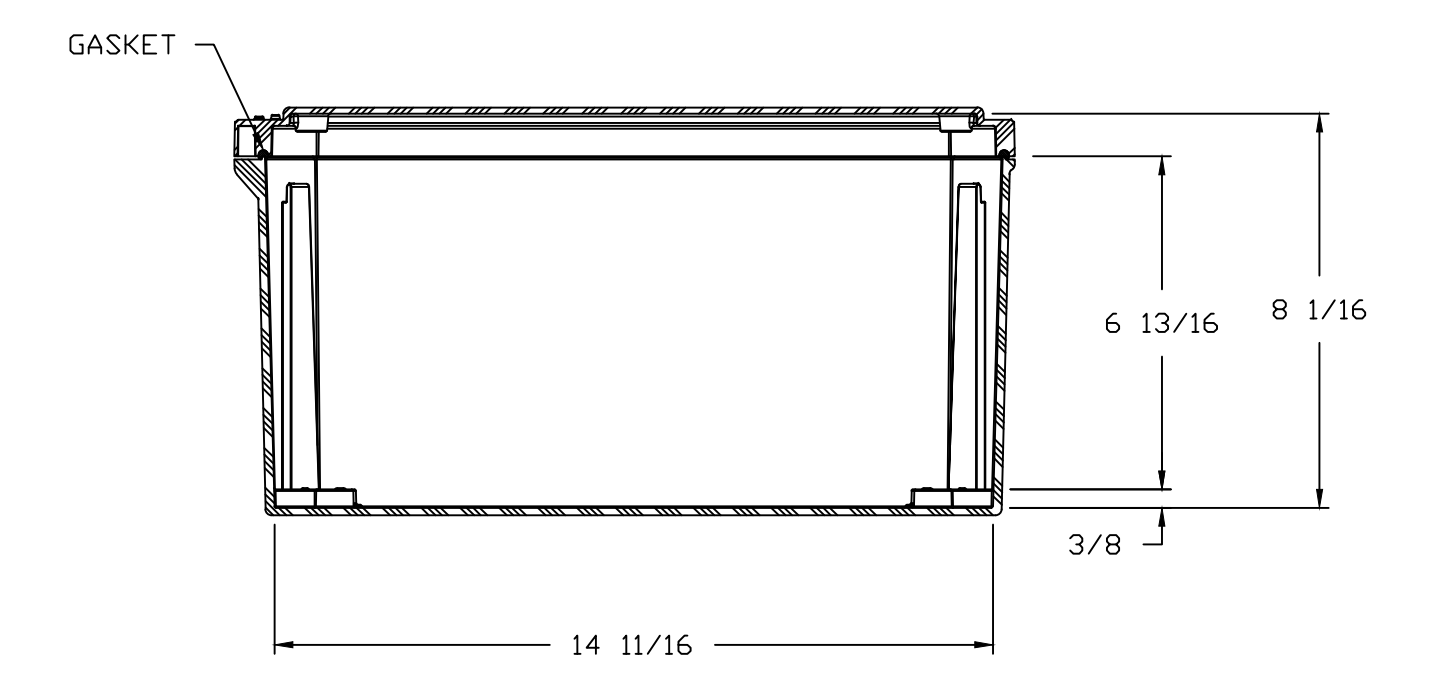
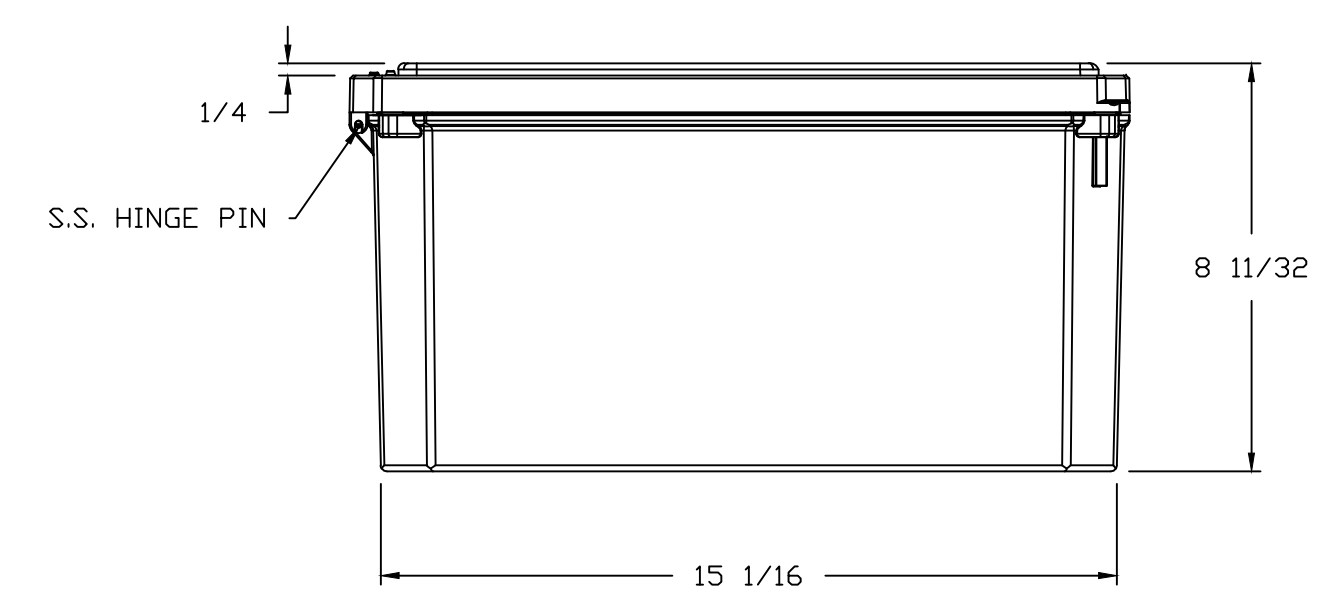



SECTION B-B



SECTION A-A

NOTES:

NEMA 1, 3, 3S, 4X, 12, 13 IP66		TOLERANCES UNLESS SPECIFIED		DECIMAL ± .010	FRACTIONAL ± 1/32
MATERIAL		DR. BY	DATE	 BELDING, MICHIGAN 48809	
F.R. POLYESTER FIBERGLASS		ZJB	4/15/03		
LET.	REVISION RECORD	DATE	BY	CHD.	APD. BY
					DATE
					CUSTOMER
					AutoCAD DWG. FILE
					DS161408HW
					SCALE
					PART NAME
					ENCLOSURE
					PART NO.
					DS161408HW