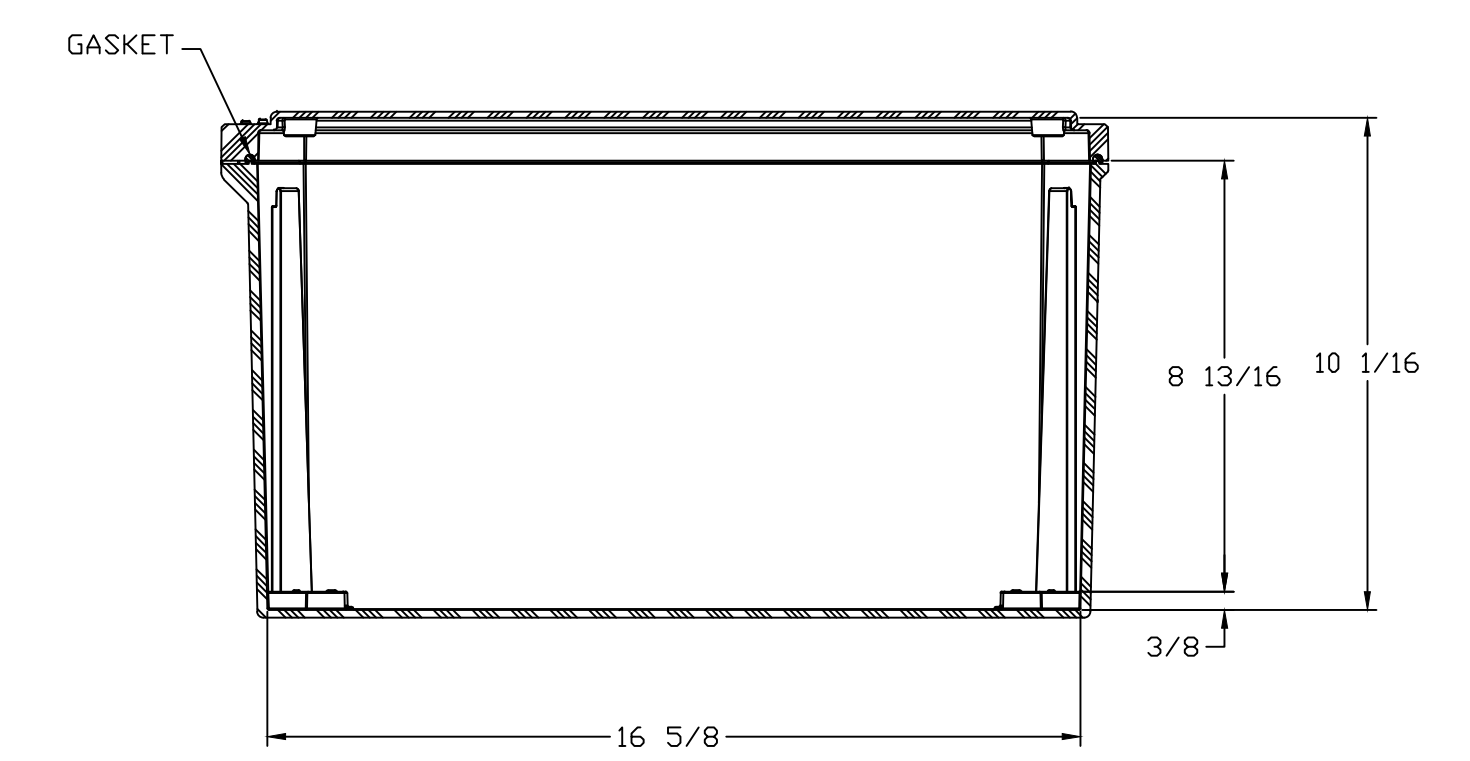
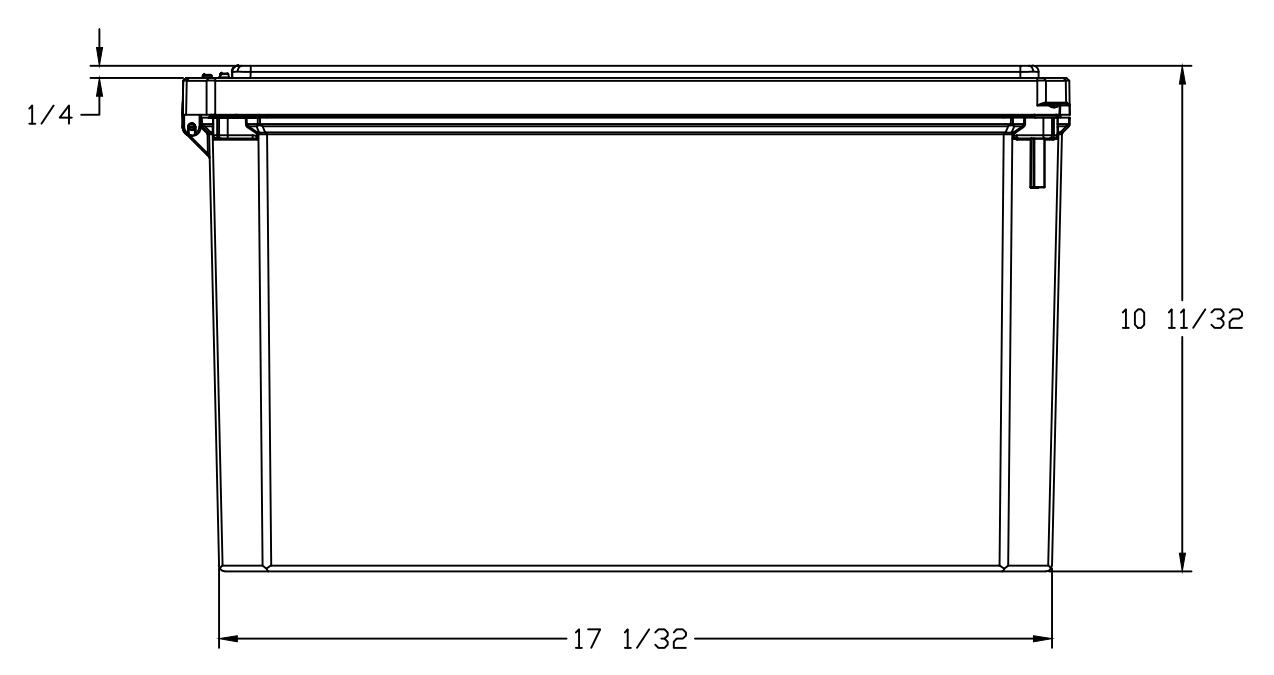



SECTION B-B



SECTION A-A

NOTES:

| | | | | | |
|------------------------------------|-----------------|-----------------------------|--------|--|--------------------|
| NEMA 1, 3, 3S, 4X, 12, 13 IP66 | | TOLERANCES UNLESS SPECIFIED | | DECIMAL ±.010 | FRACTIONAL ± 1/32 |
| MATERIAL F.R. POLYESTER FIBERGLASS | | COLOR GLACIER GRAY RR1013 | | | |
| DR. BY | DATE | DR. BY | DATE |  BELDING, MICHIGAN 48809 | |
| ZJB | 6/1/03 | ZJB | 6/1/03 | | |
| LET. | REVISION RECORD | DATE | BY | CHD. | |
| | | | | | |
| APD. BY | DATE | CUSTOMER | | AutoCAD DWG. FILE DS181610W | |
| | | SCALE DO NOT SCALE | | PART NAME ENCLOSURE | PART NO. DS181610W |