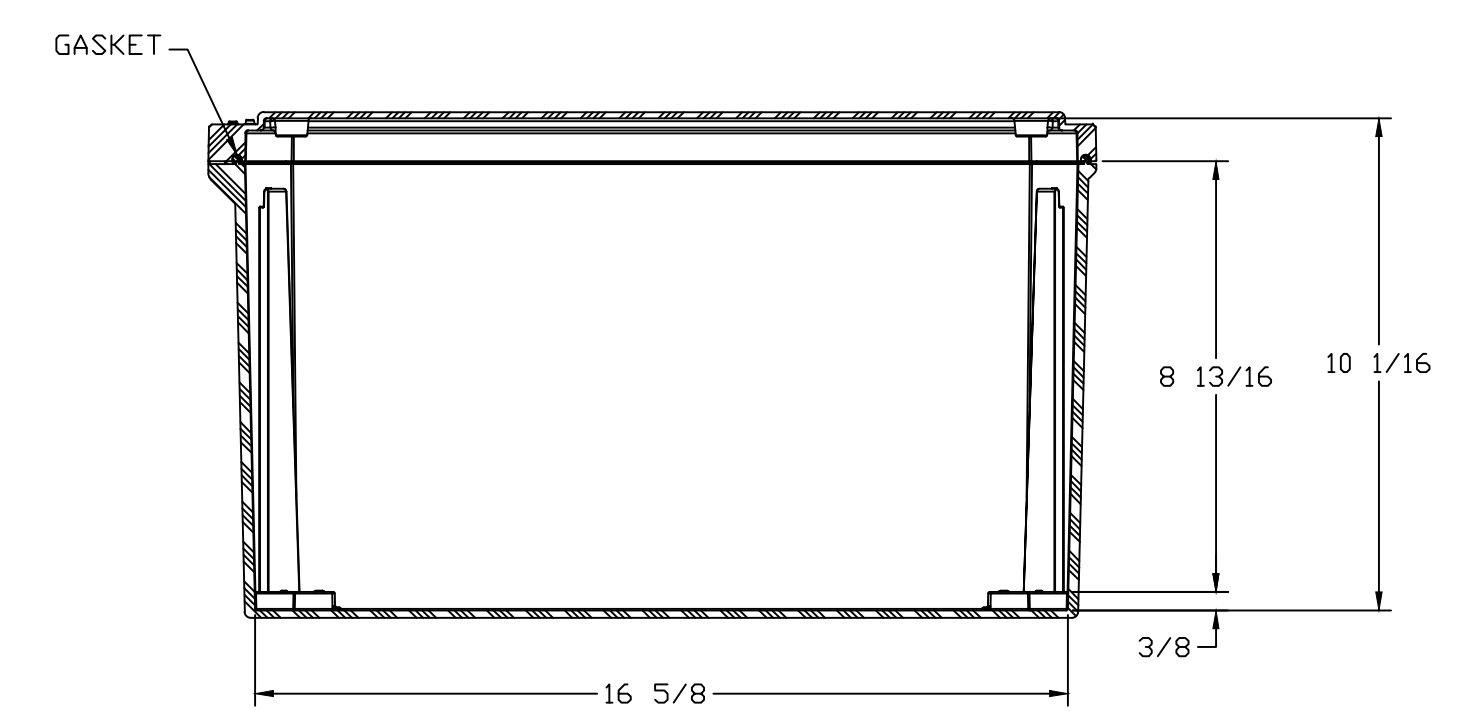
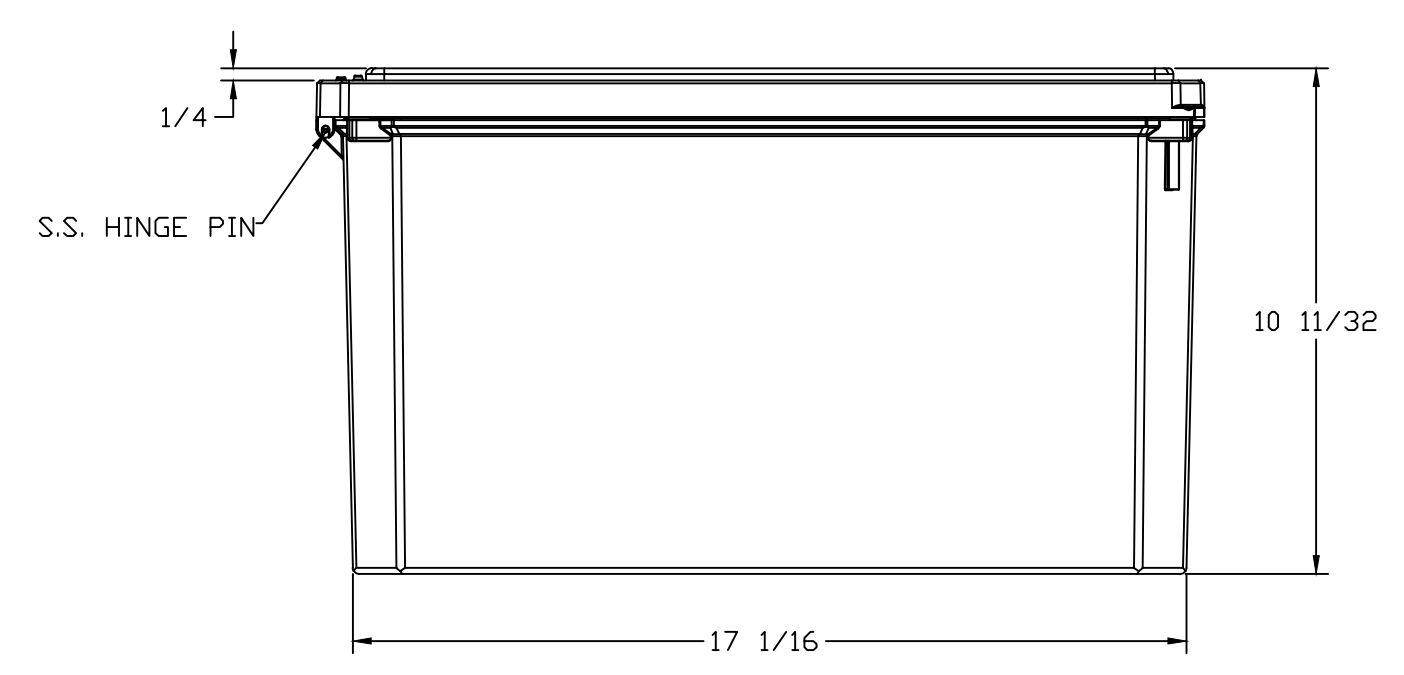



SECTION B-B



SECTION A-A

NOTES:

NEMA 1, 3, 3S, 4X, 12, 12 IP66		TOLERANCES UNLESS SPECIFIED		DECIMAL ±	FRACTIONAL ±
MATERIAL F.R. POLYESTER FIBERGLASS		COLOR GLACIER GRAY RR1013		DR. BY ZJB DATE 6/16/03	
LET.	REVISION RECORD	DATE	BY	CHK. BY	DATE
				APD. BY	DATE
SCALE DD NDT SCALE		PART NAME ENCLOSURE		PART NO. DS201610HW	



STAHLIN
ENCLOSURES
DIVISION OF ROBROY INDUSTRIES

BELDING, MICHIGAN 48809

AutoCAD DWG. FILE DS201610HW