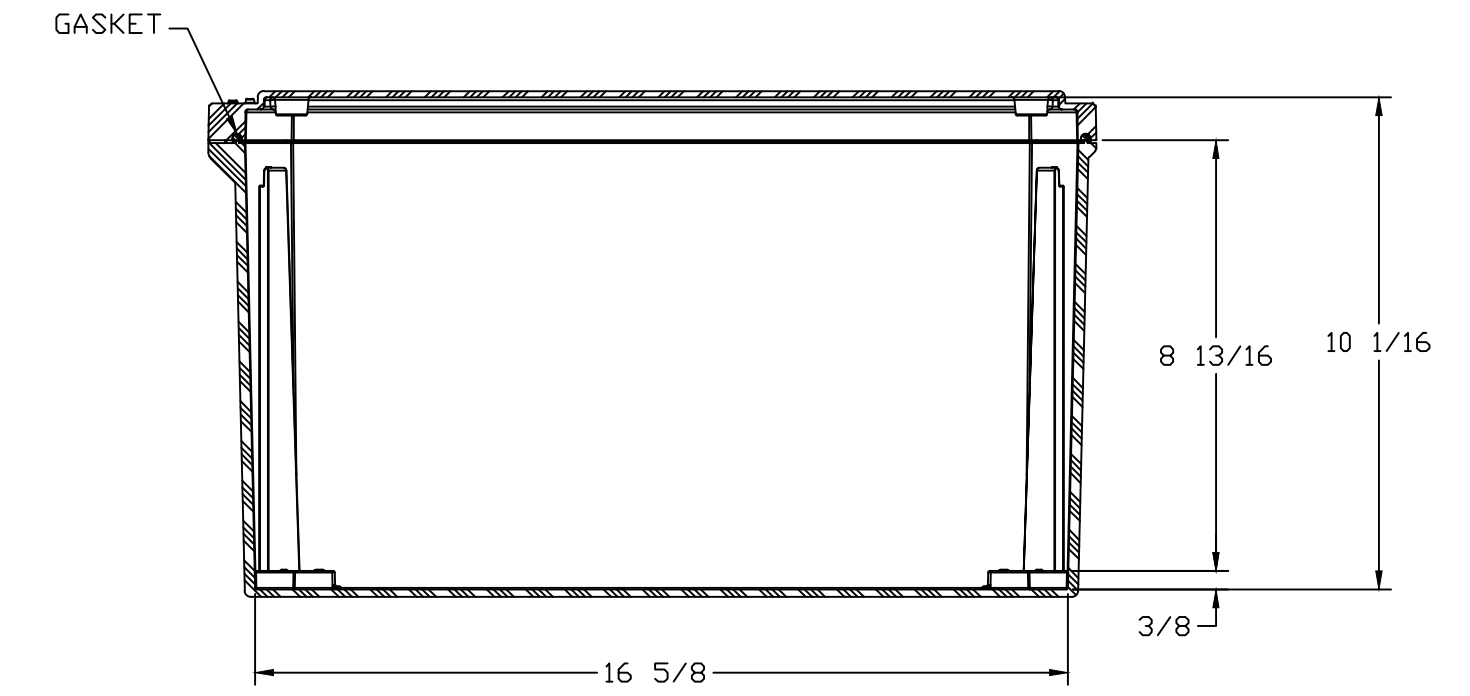
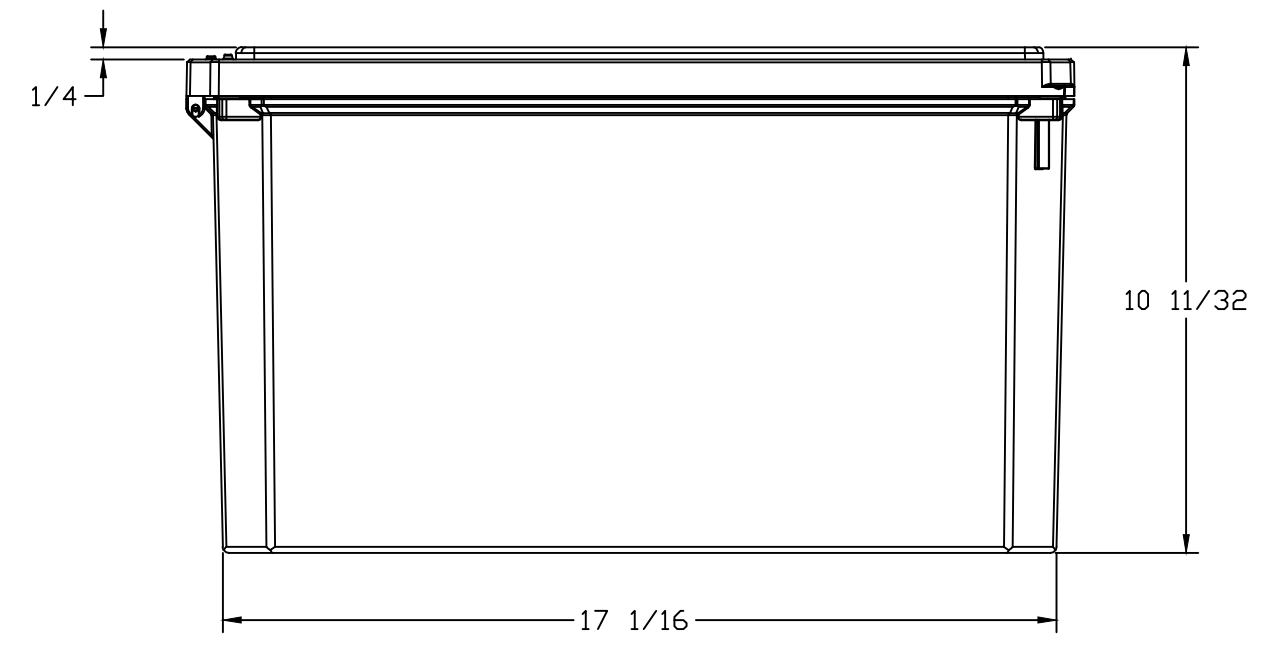



SECTION B-B



SECTION A-A

NOTES:

NEMA 1, 3, 3S, 4X, 12, 13 IP66		TOLERANCES UNLESS SPECIFIED		DECIMAL ±	FRACTIONAL ±
MATERIAL F.R. POLYESTER FIBERGLASS		COLOR GLACIER GRAY RR1013		DR. BY ZJB DATE 6/16/03	
LET.	REVISION RECORD	DATE	BY	CHK. BY	DATE
				APD. BY	DATE
SCALE 1:1		PART NAME ENCLOSURE		PART NO. DS201610W	



STAHLIN
ENCLOSURES
DIVISION OF ROBROY INDUSTRIES

BELDING, MICHIGAN 48809

AutoCAD DWG. FILE DS201610W