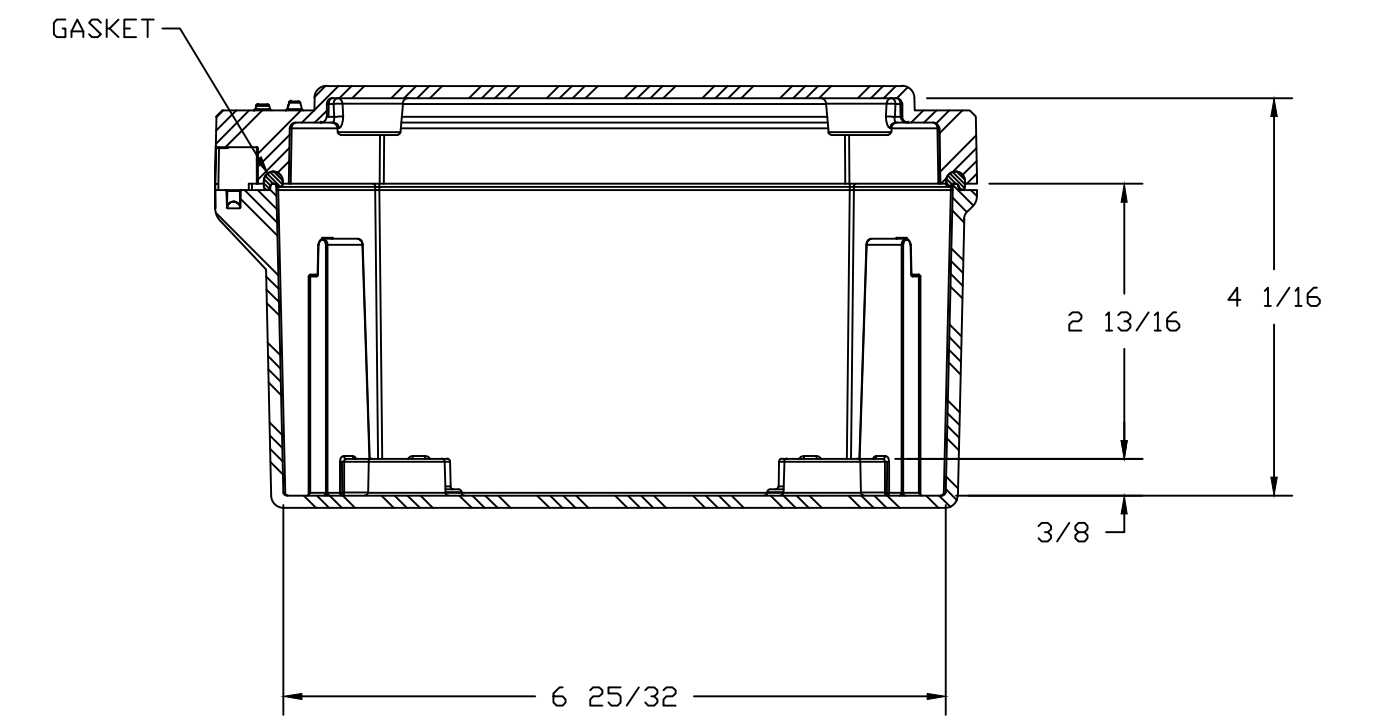
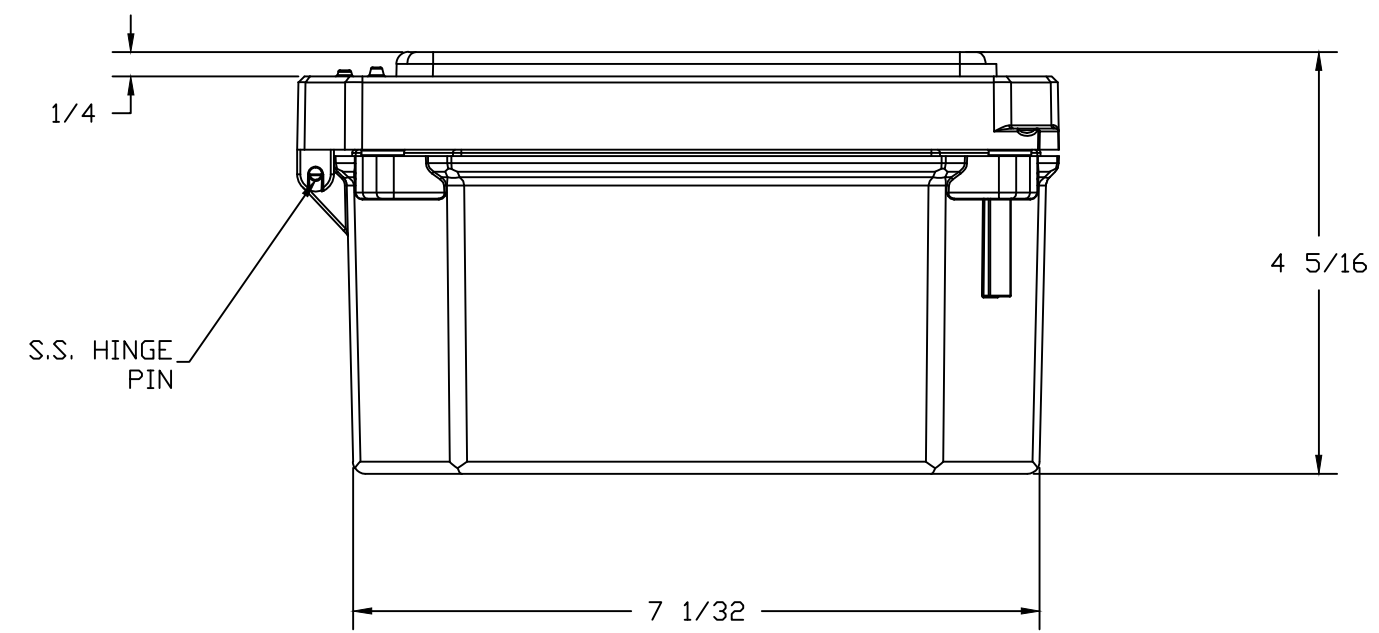



SECTION B-B



SECTION A-A

NOTES:

COLOR: GLACIER GRAY RR1013				TOLERANCES UNLESS SPECIFIED		DECIMAL ± .010	FRACTIONAL ± 1/32
NEMA 1, 3, 3S, 4X, 12, 13 IP66							
MATERIAL: F.R. POLYESTER FIBERGLASS				DR. BY: ZJB	DATE: 10/21/02	 BELDING, MICHIGAN 48809	
LET.	REVISION RECORD	DATE	BY	CHK. BY	DATE		
				APD. BY	DATE	CUSTOMER	
				SCALE: DO NOT SCALE	PART NAME: ENCLOSURE		PART NO.: DS60604HW
						AutoCAD DWG. FILE: DS60604HW	