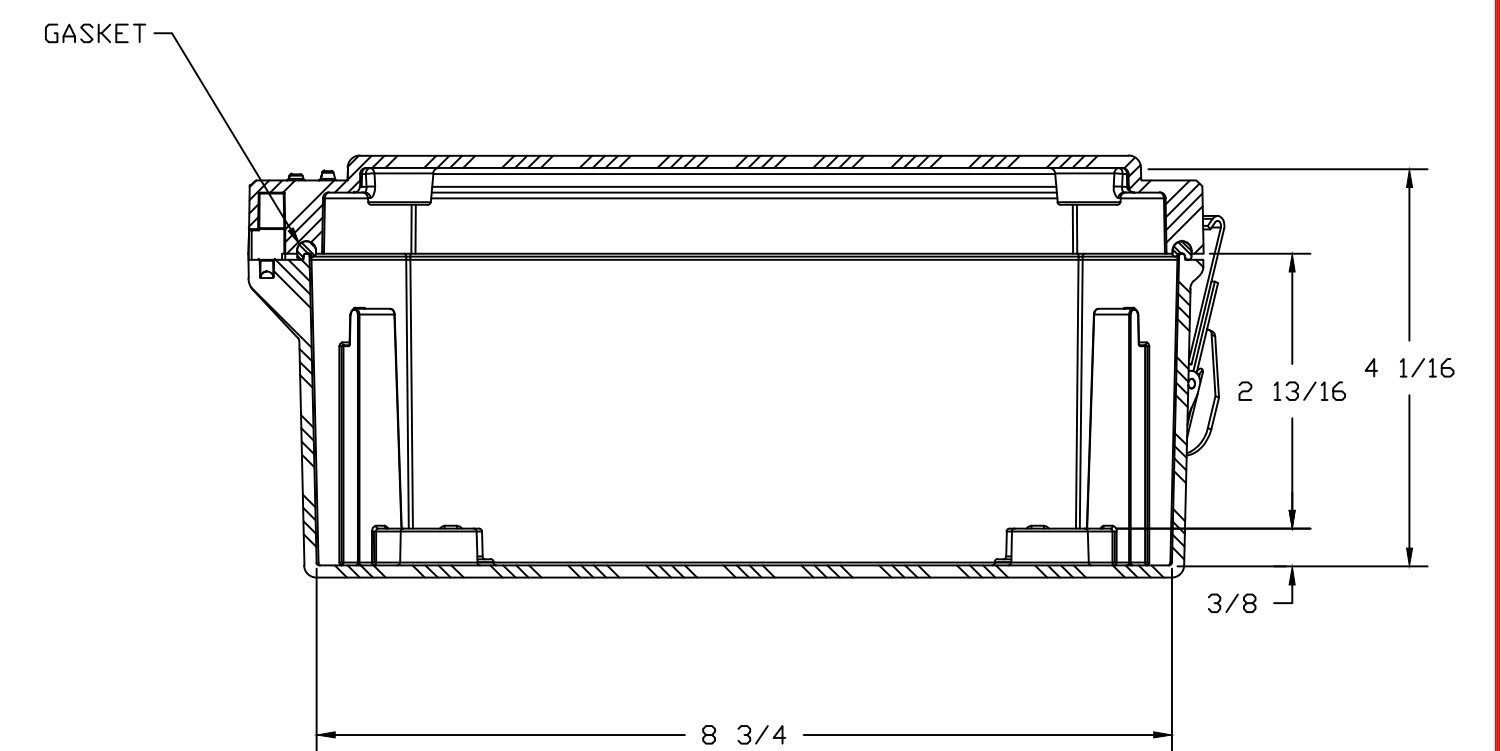
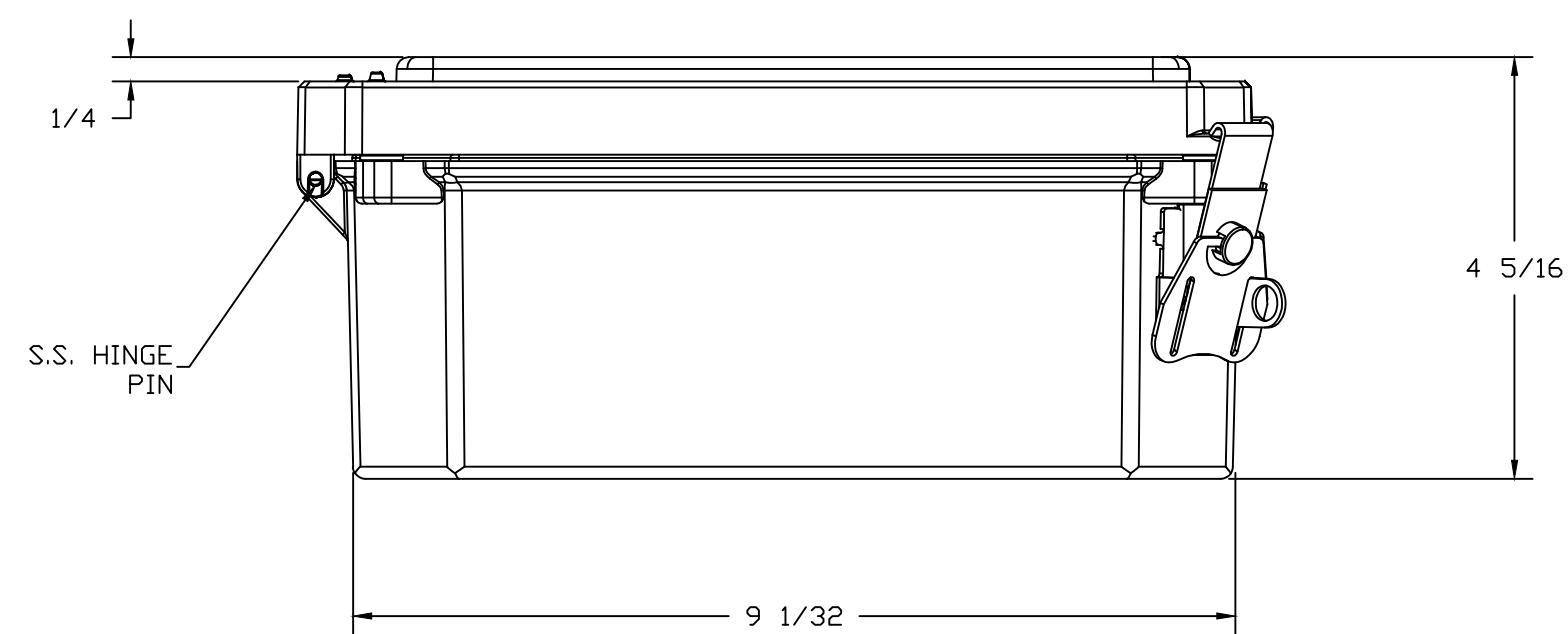
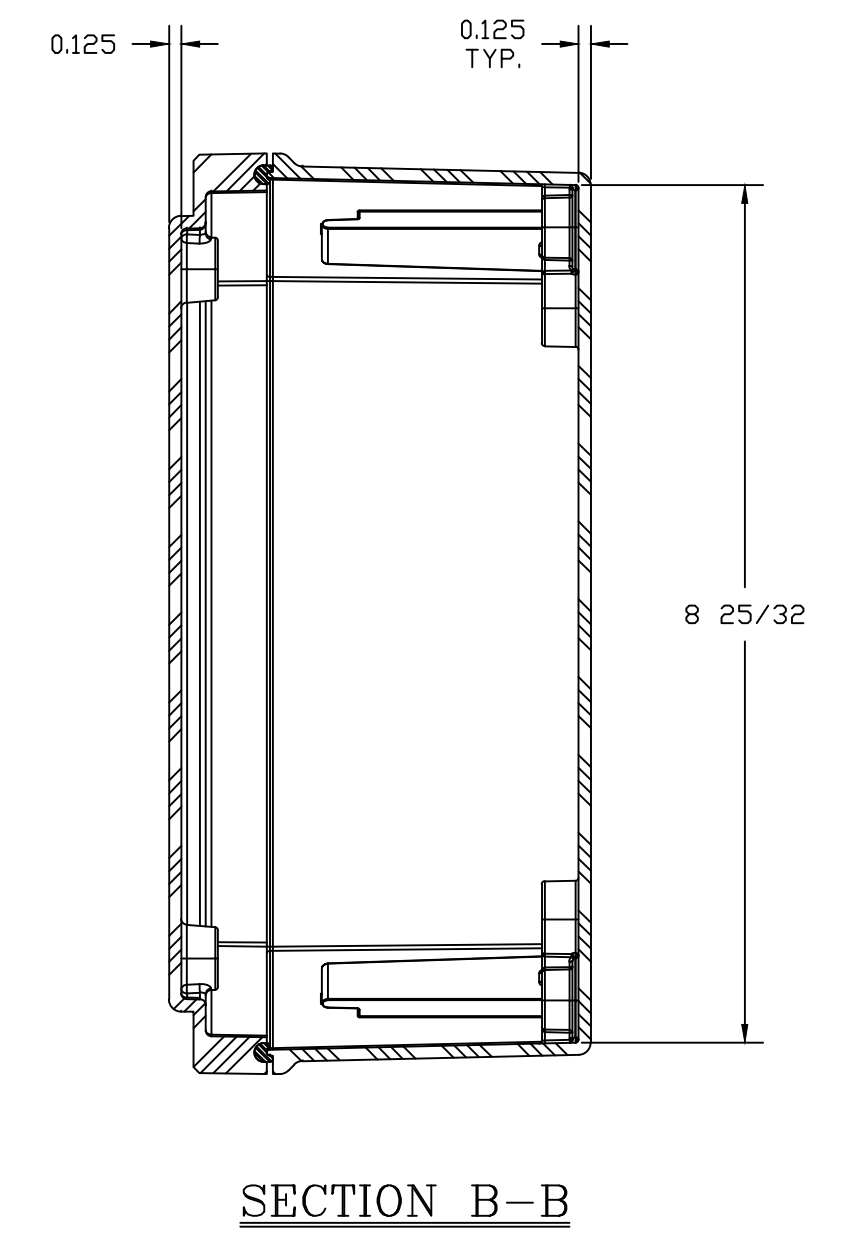
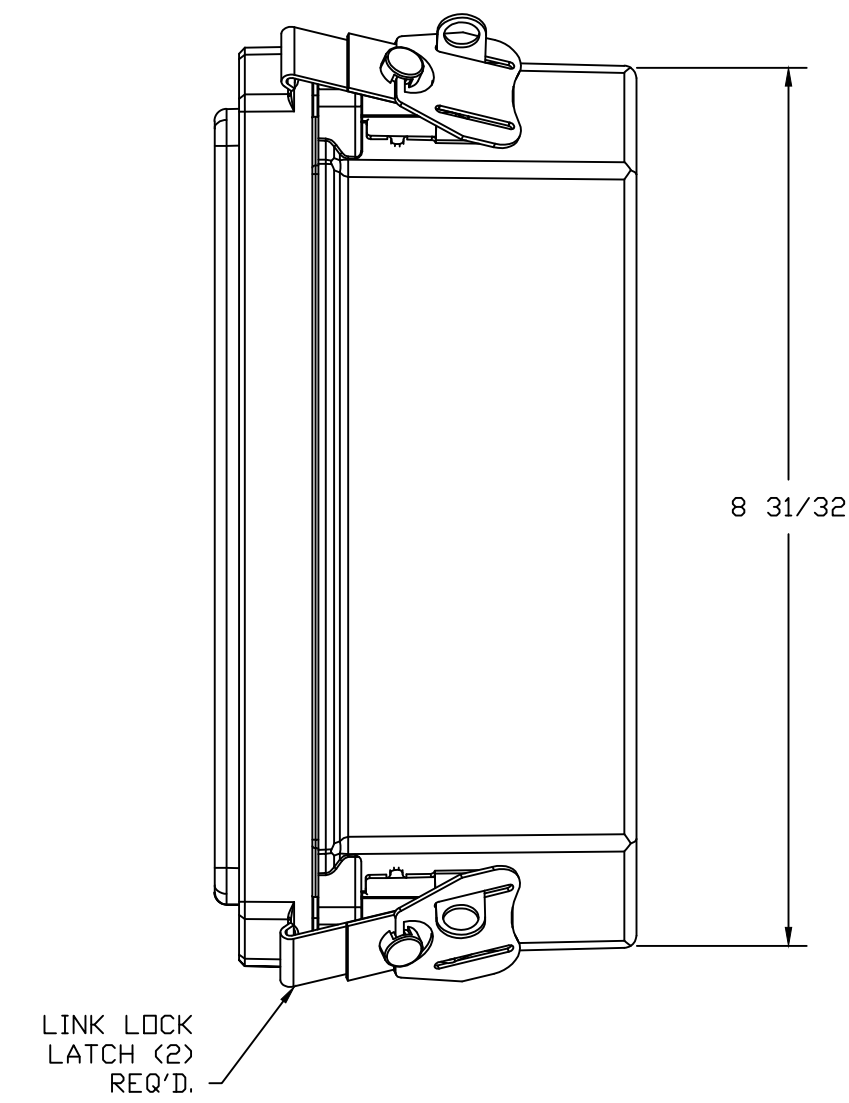
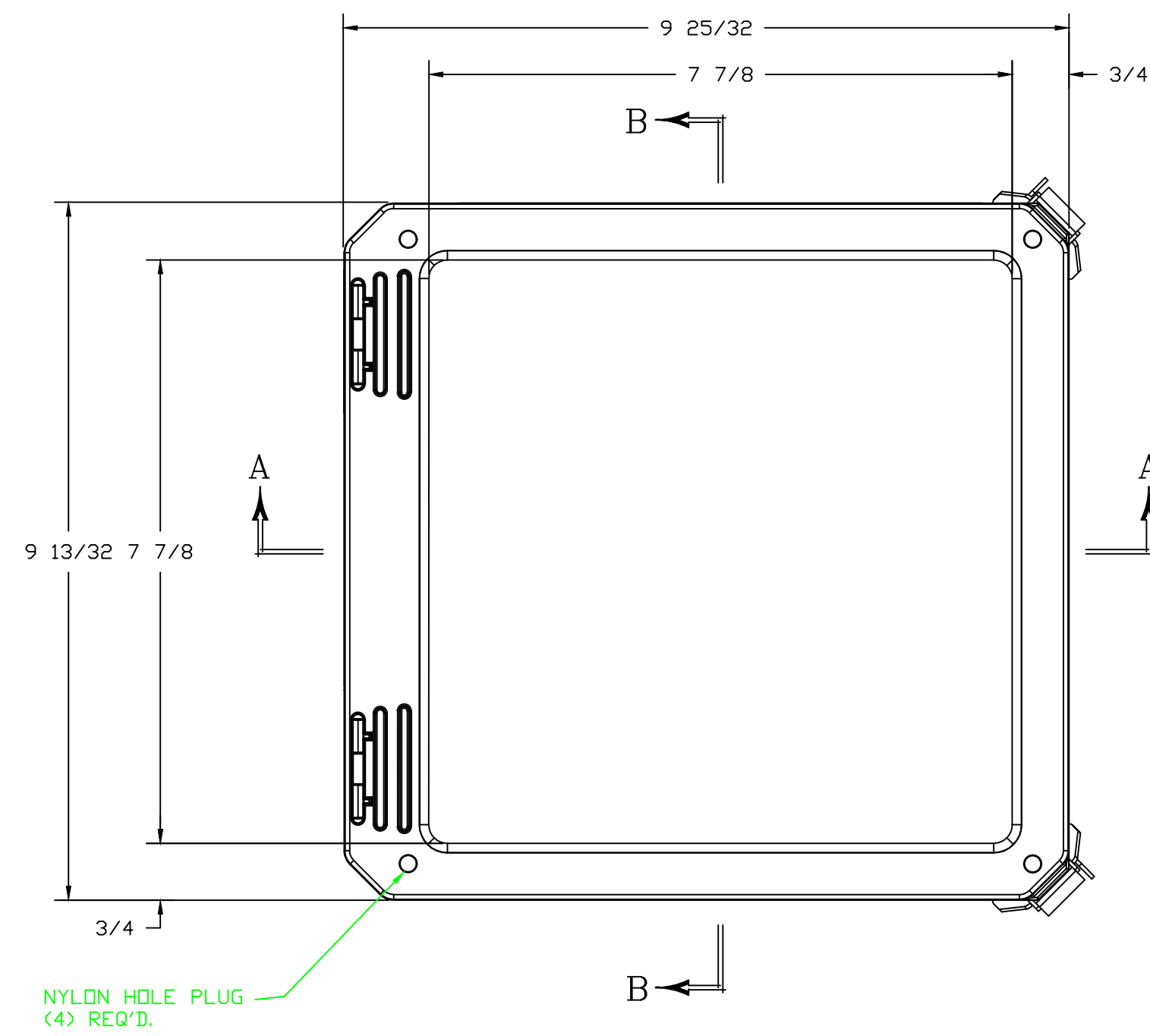


WITH COVER REMOVED



NOTES:

COLOR: GLACIER GRAY RR1013		TOLERANCES UNLESS SPECIFIED		DECIMAL ± .010	FRACTIONAL ± 1/32
NEMA 1, 3, 3S, 4X, 12, 13 IP66					
MATERIAL	F.R. POLYESTER FIBERGLASS	DR. BY	DATE		
LET.	REVISION RECORD	CHK. BY	DATE	BELDING, MICHIGAN 48809	
		APD. BY	DATE	CUSTOMER	AutoCAD DWG. FILE
				STAHLIN	DS80804HLL
		SCALE	PART NAME	PART NO.	
		DO NOT SCALE	ENCLOSURE		DS80804HLL