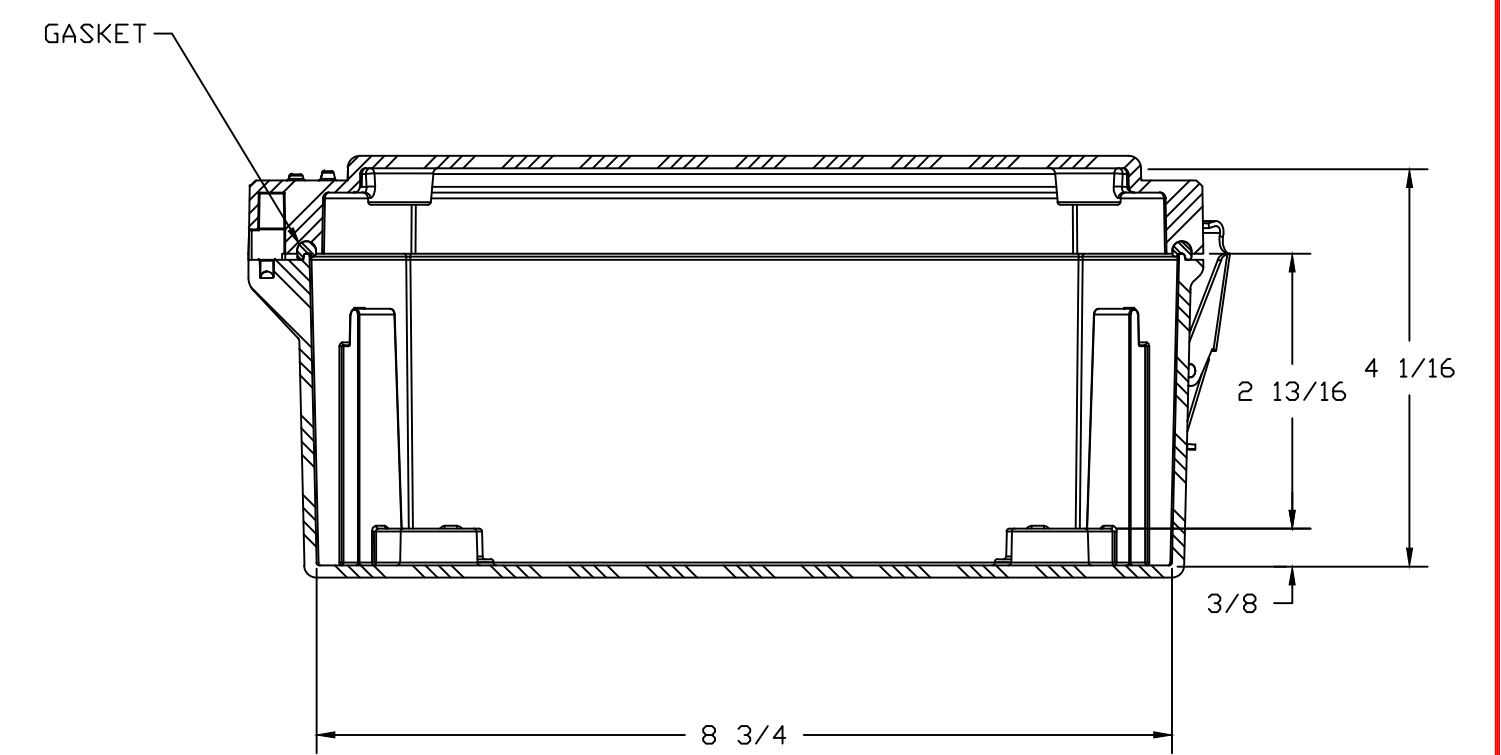
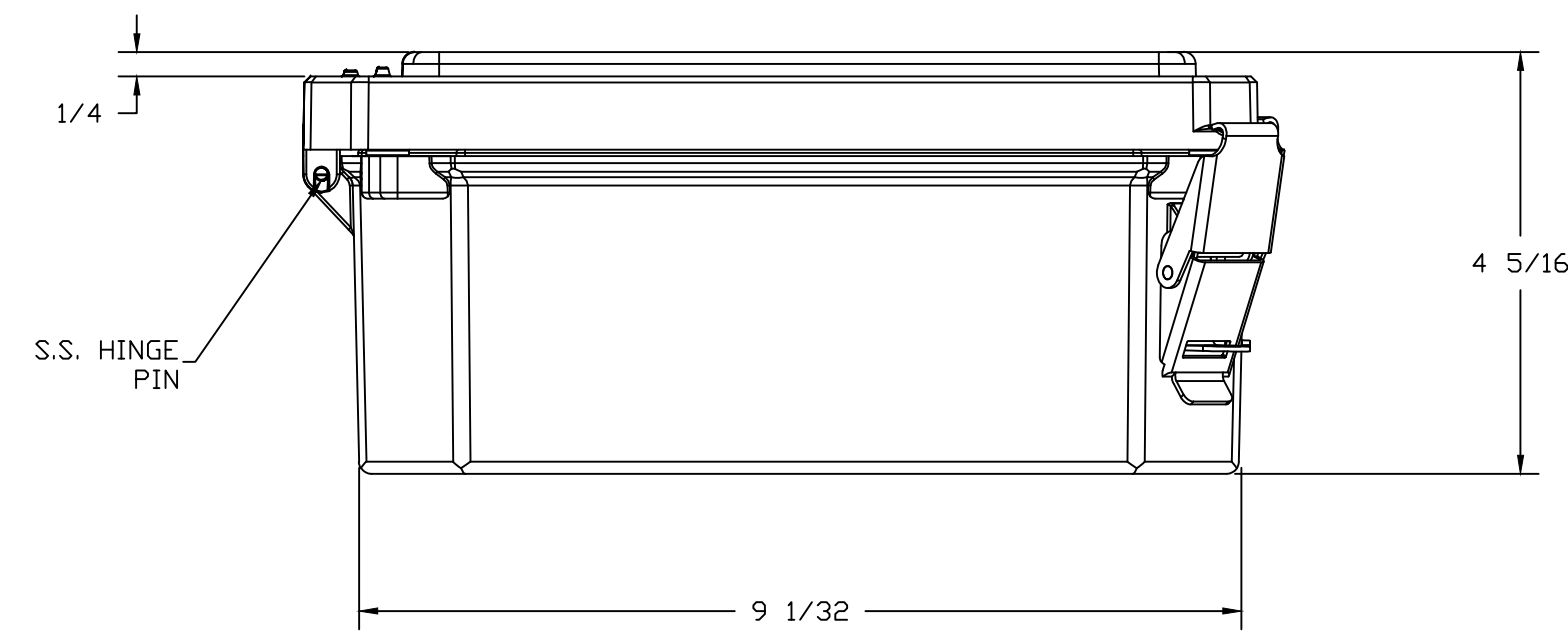
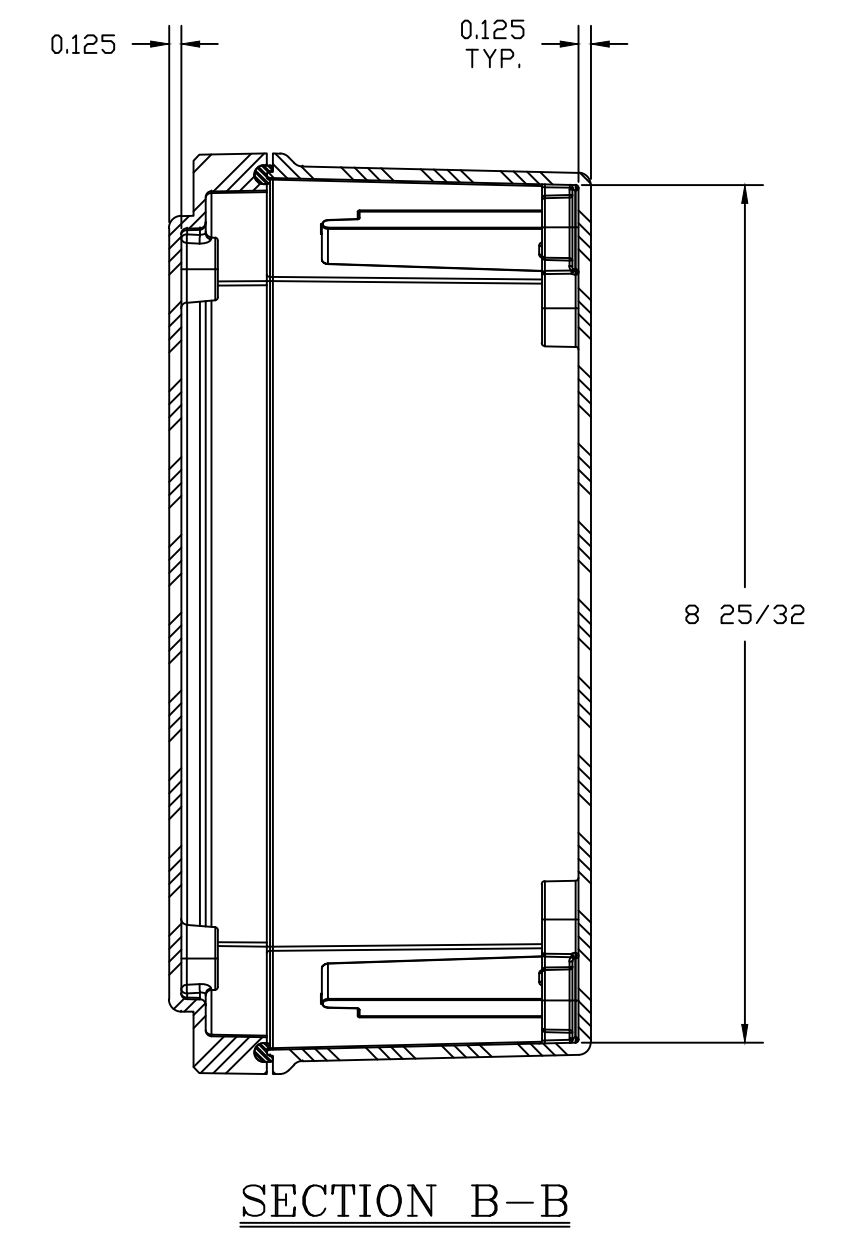
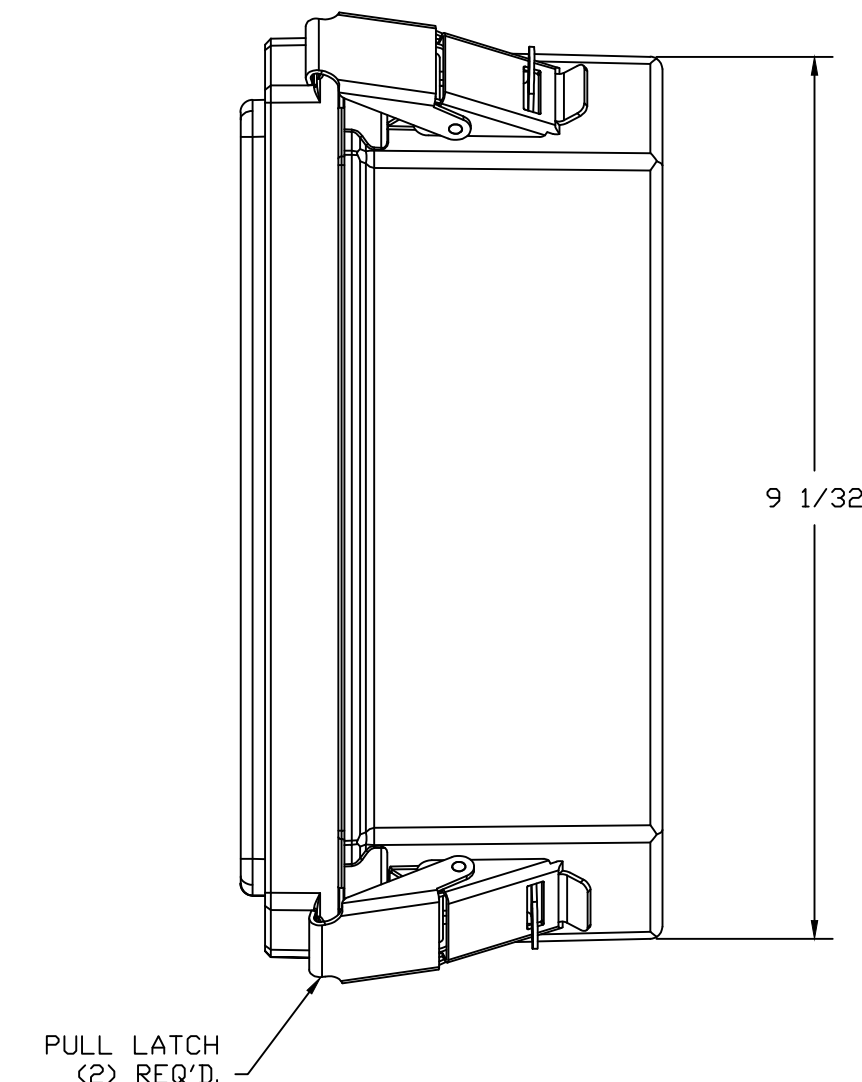
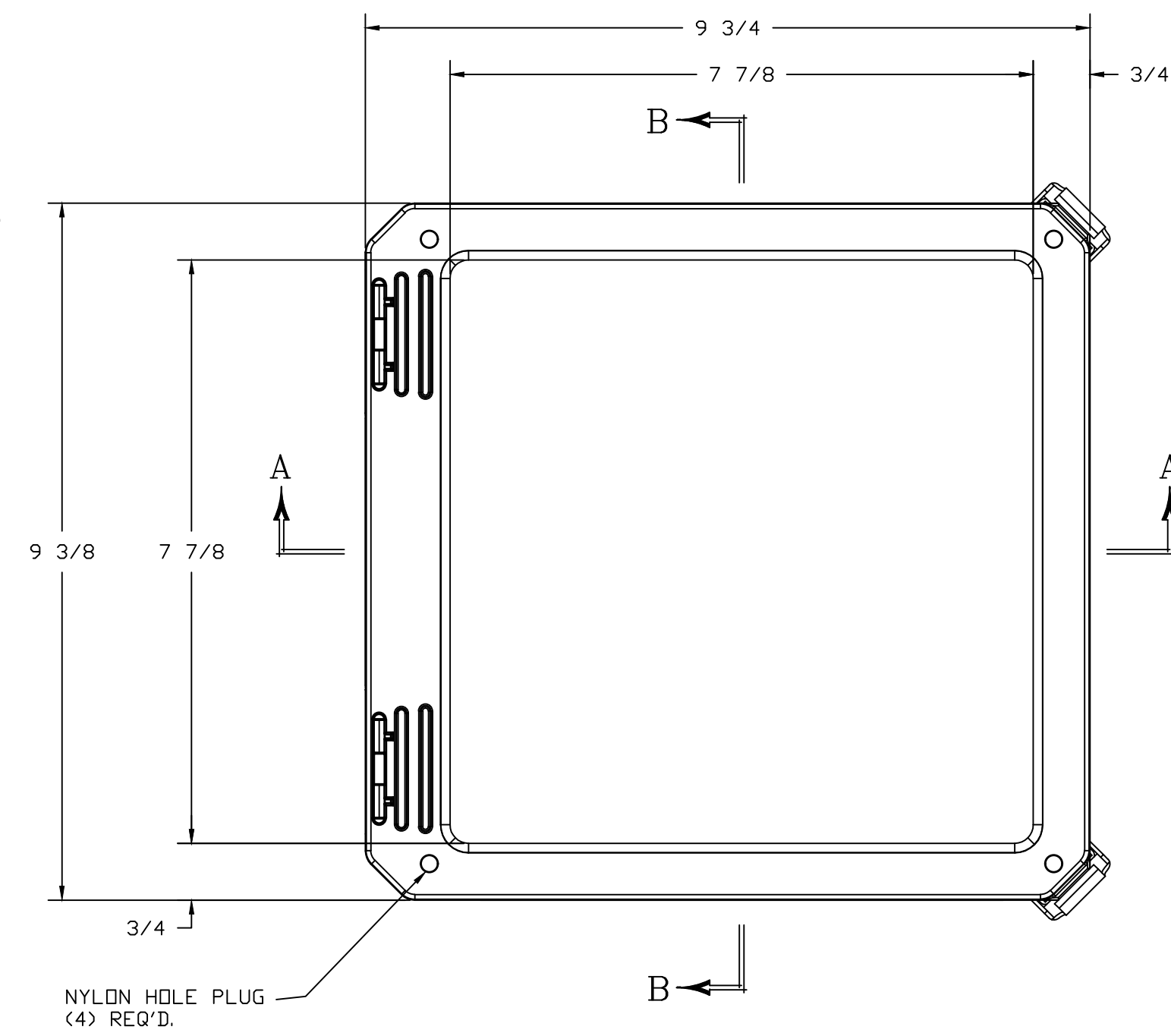



WITH COVER REMOVED



NOTES:

COLOR: GLACIER GRAY RR1013				TOLERANCES UNLESS SPECIFIED		DECIMAL ± .010	FRACTIONAL ± 1/32
NEMA 1, 3, 3S, 4X, 12, 13 IP66							
MATERIAL F.R. POLYESTER FIBERGLASS				DR. BY ZJB	DATE 3/31/03	 BELDING, MICHIGAN 48809	
LET.	REVISION RECORD	DATE	BY	CHK. BY	DATE		
				APD. BY	DATE	CUSTOMER STAHLIN	AutoCAD DWG. FILE DS80804HPL
				SCALE DO NOT SCALE	PART NAME ENCLLOSURE	PART NO.	DS80804HPL