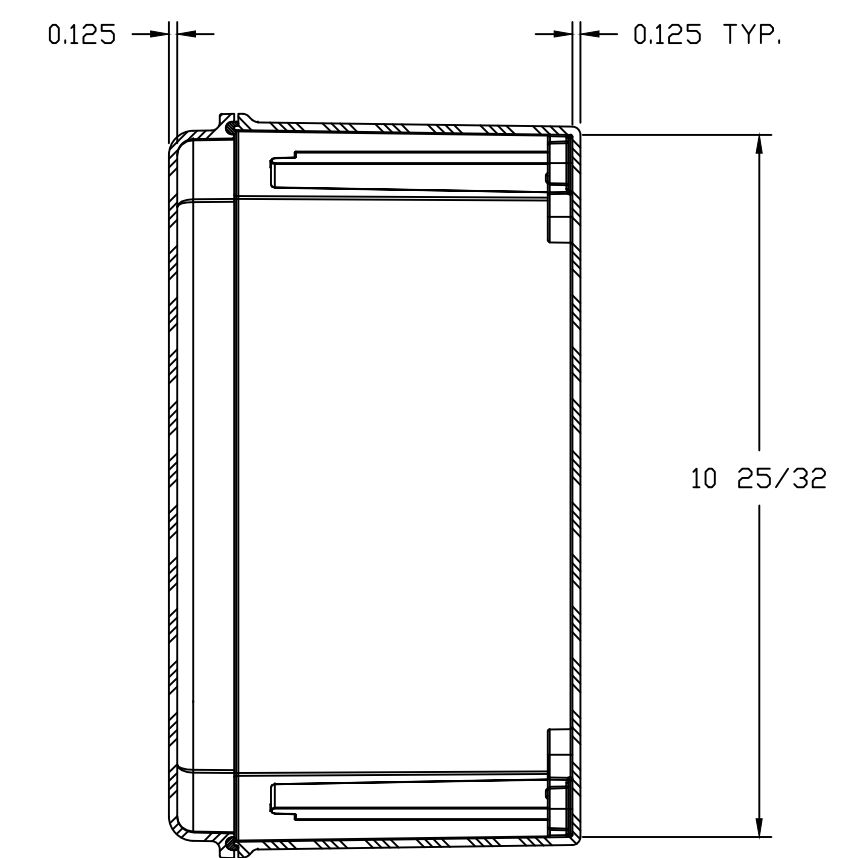
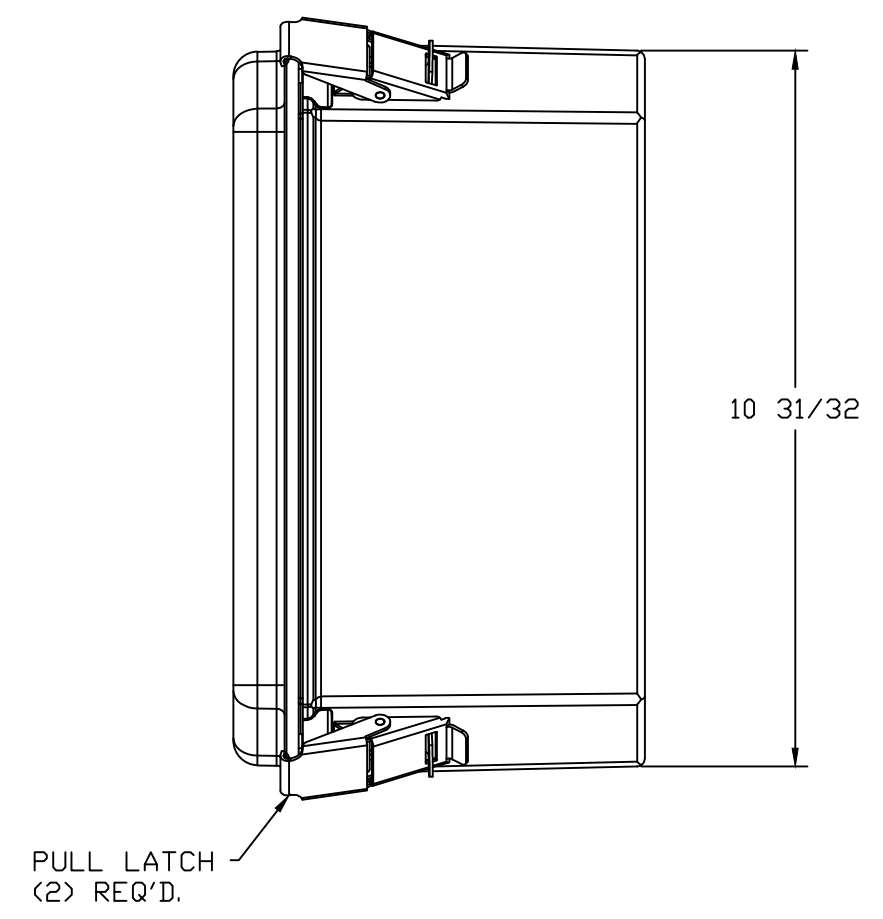
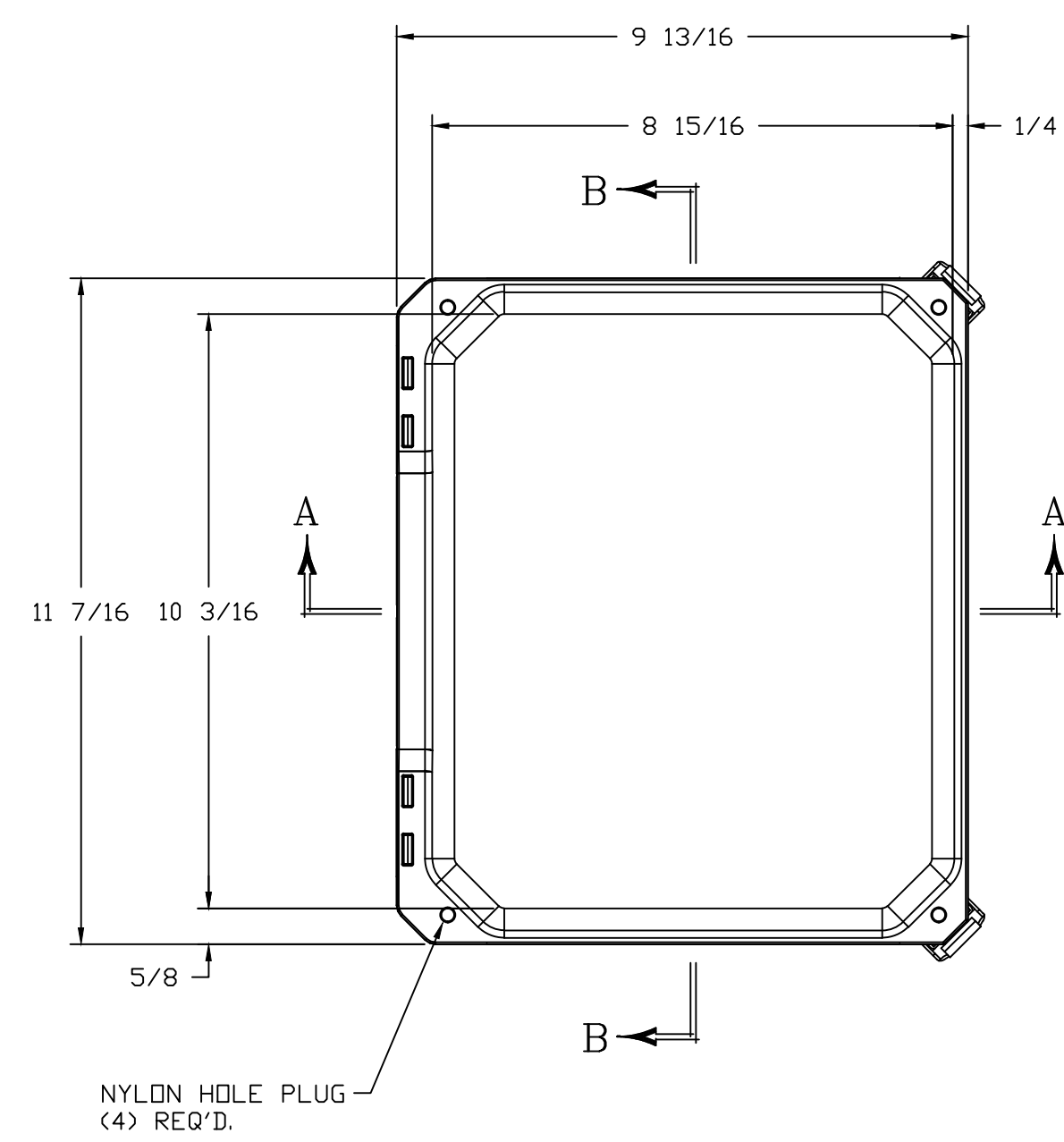
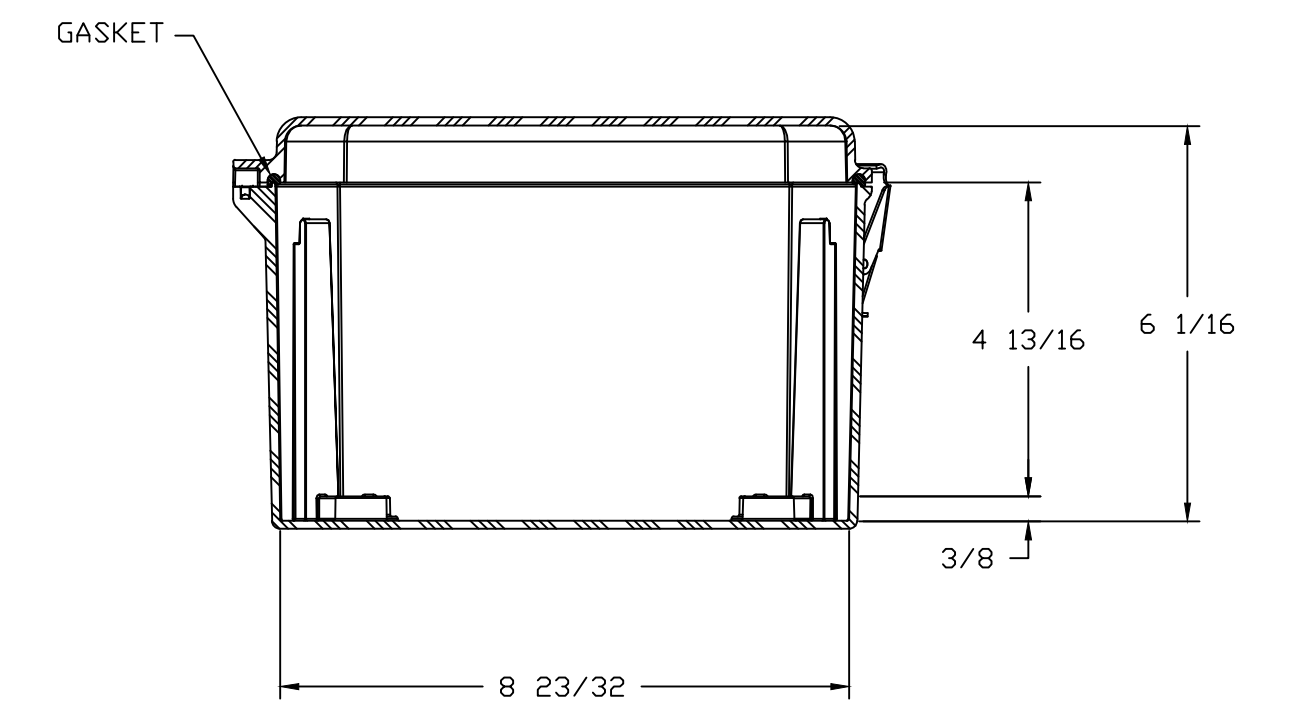
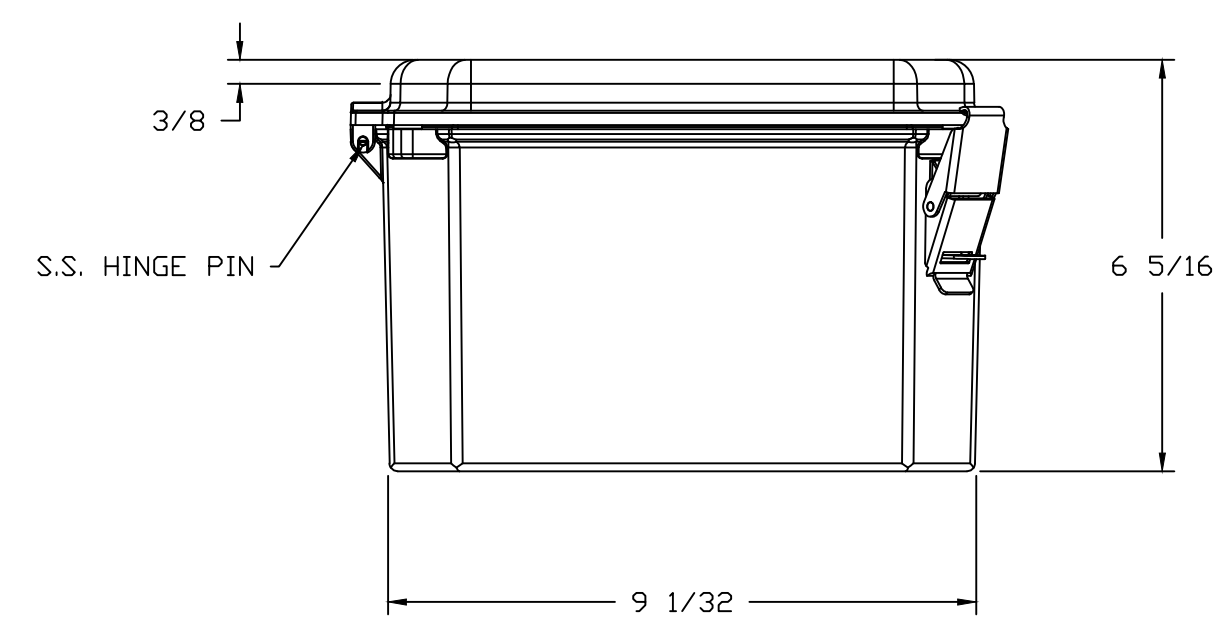


WITH COVER REMOVED




SECTION B-B



SECTION A-A

NOTES:

COLOR: GLACIER GRAY RR1013				TOLERANCES UNLESS SPECIFIED		DECIMAL ± .010	FRACTIONAL ± 1/32
NEMA 1, 3, 3S, 4X, 12, 13 IP66				DR. BY ZJB		DATE 4/3/03	
MATERIAL F.R. POLYESTER FIBERGLASS				CHK. BY	DATE	 BELDING, MICHIGAN 48809	
LET.	REVISION RECORD	DATE	BY	CHD.	APD. BY		
							CUSTOMER
							AutoCAD DWG. FILE DSCC100806HPL
					SCALE DO NOT SCALE	PART NAME ENCLASURE	PART NO. DSCC100806HPL