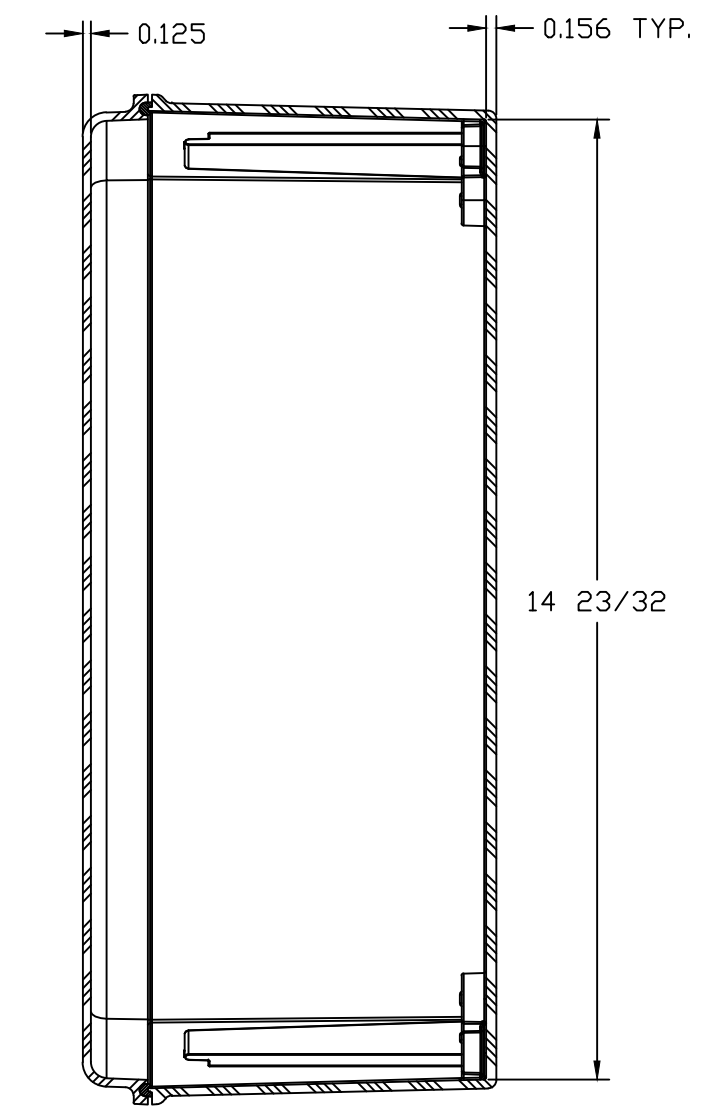
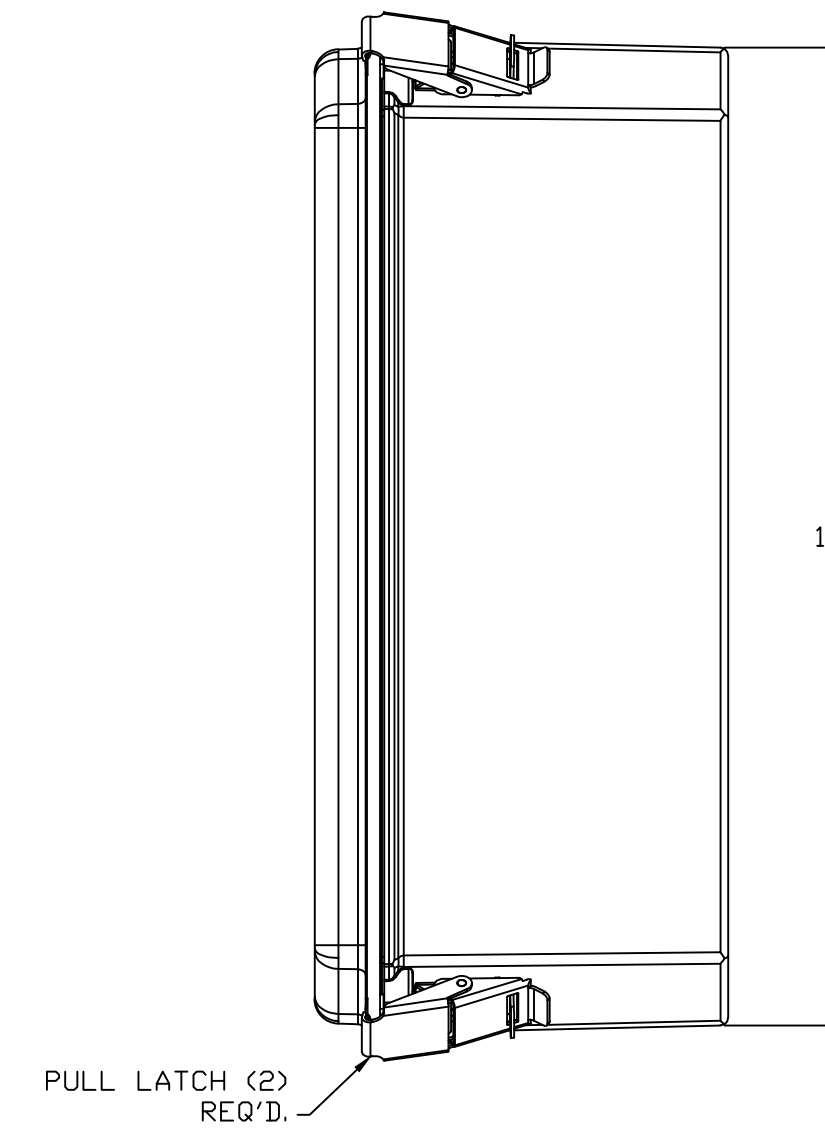
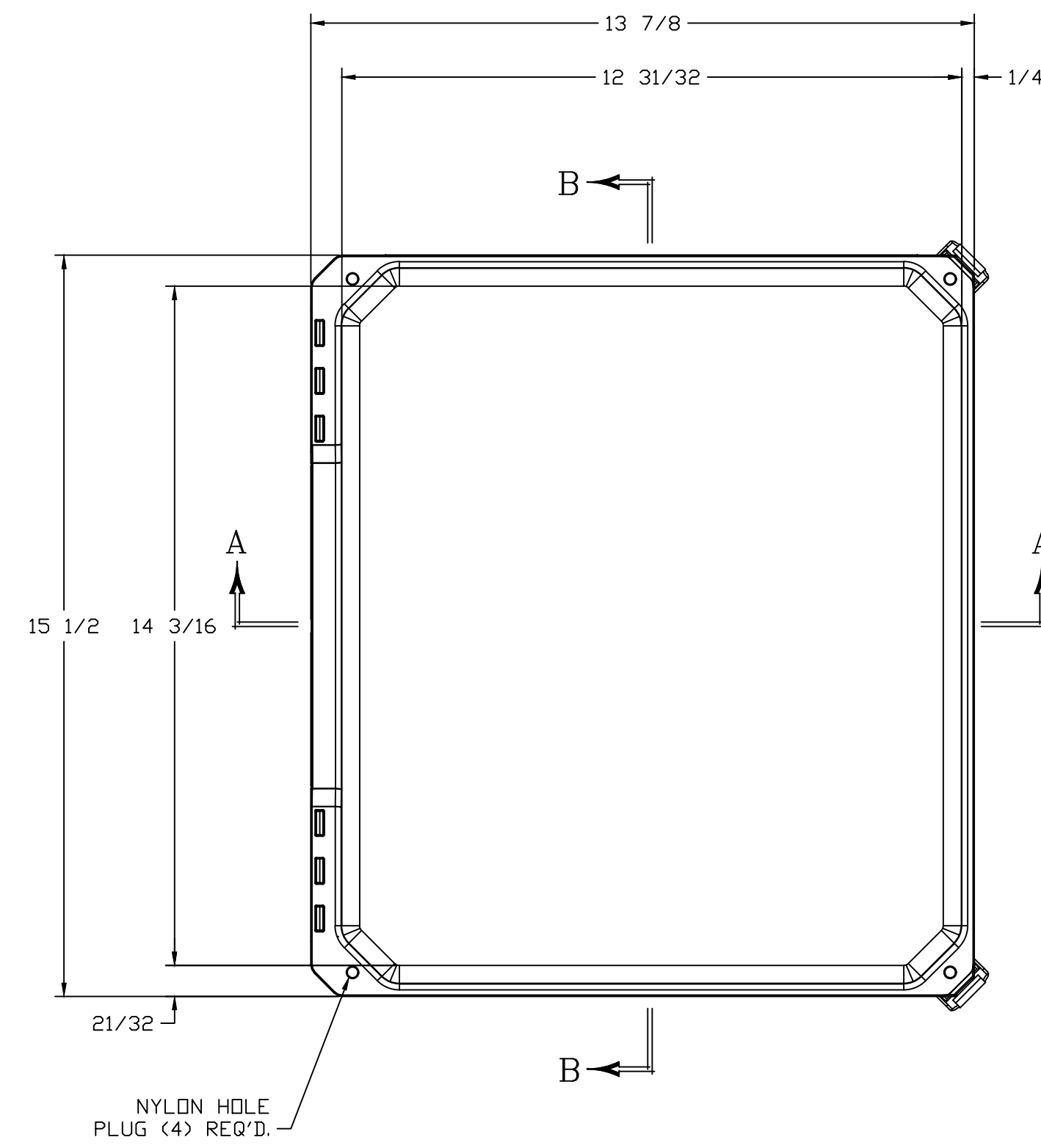
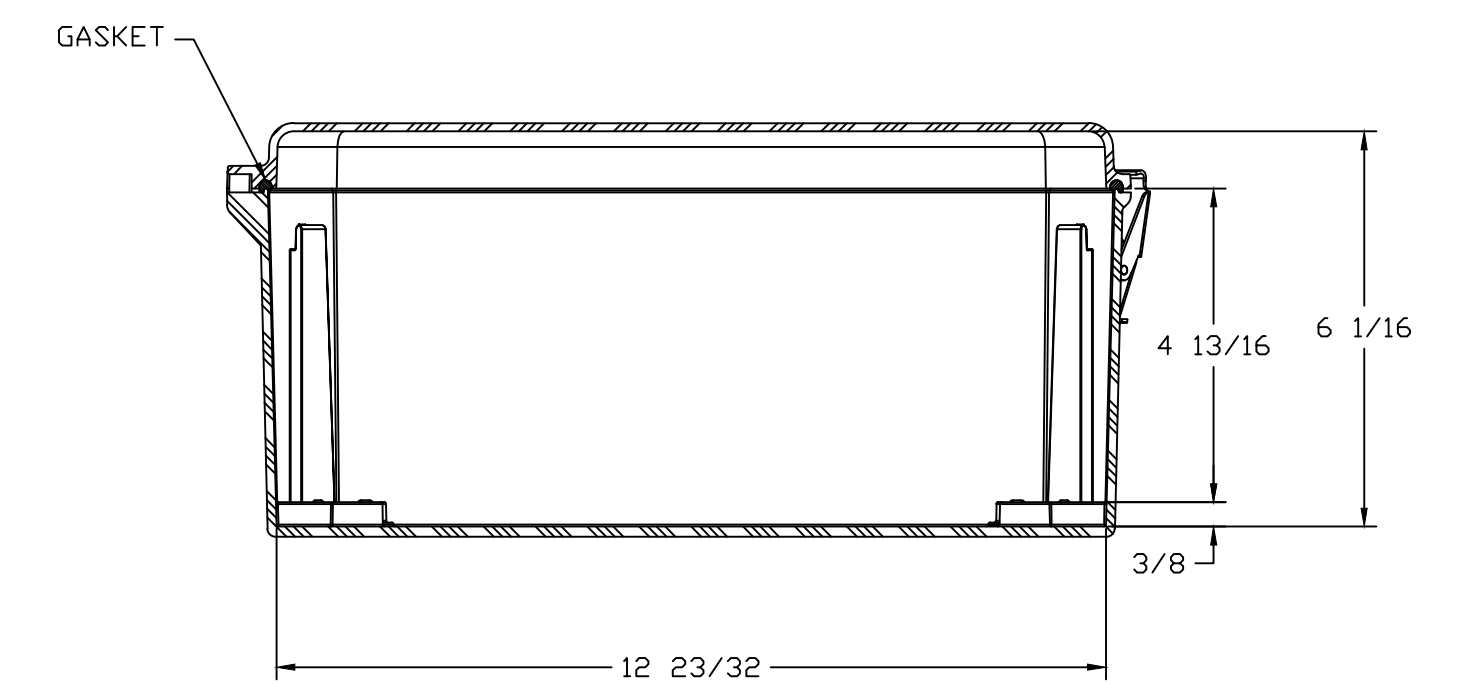
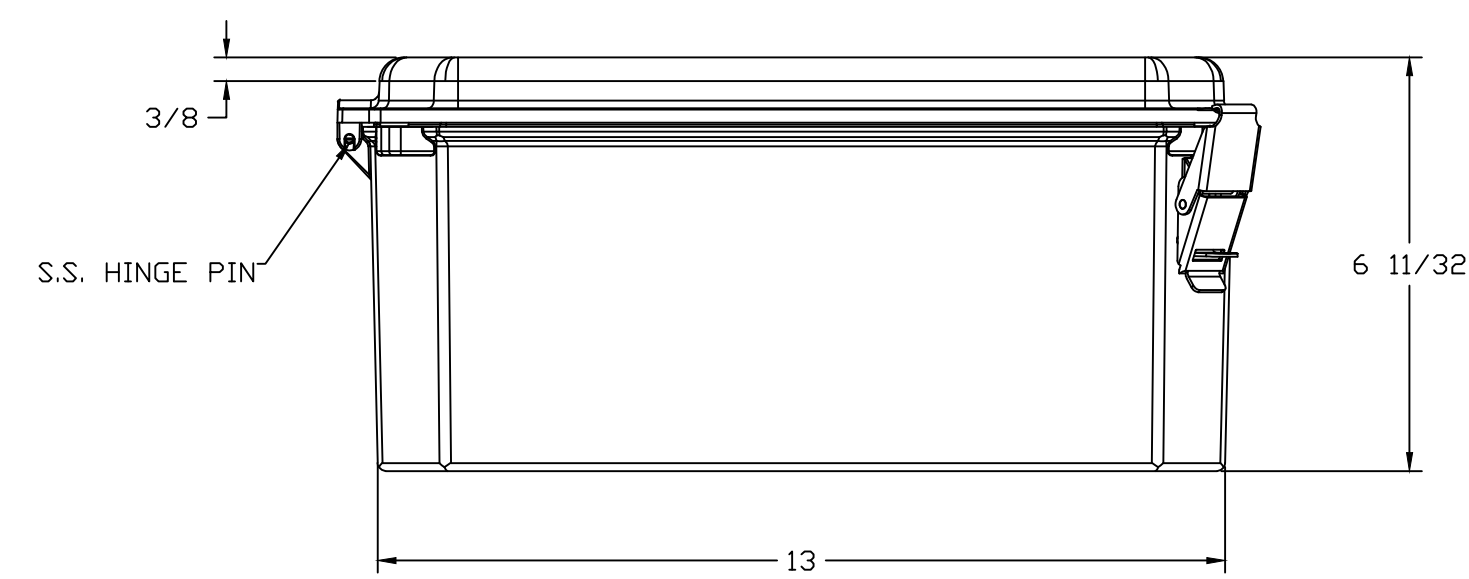


WITH COVER REMOVED




SECTION B-B



SECTION A-A

NOTES:

MATERIAL		F.R. POLYESTER FIBERGLASS		DR. BY	ZJB	DATE	4/28/03	COLOR: GLACIER GRAY RR1013		TOLERANCES	UNLESS SPECIFIED	DECIMAL	± .010	FRACTIONAL	± 1/32
LET.	REVISION RECORD	DATE	BY	CHD.	CHK. BY	DATE	APD. BY	DATE	CUSTOMER	 BELDING, MICHIGAN 48809					
SCALE		DD NDT SCALE		PART NAME		ENCLOSURE		PART NO.		DSCC141206HPL					