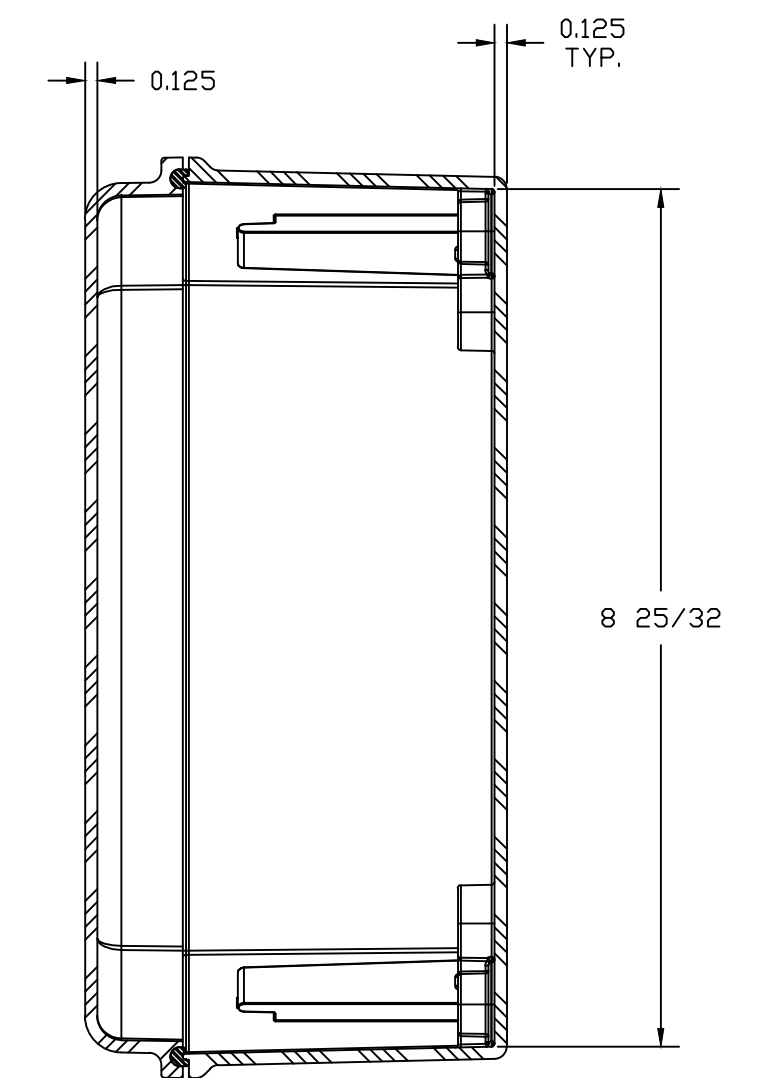
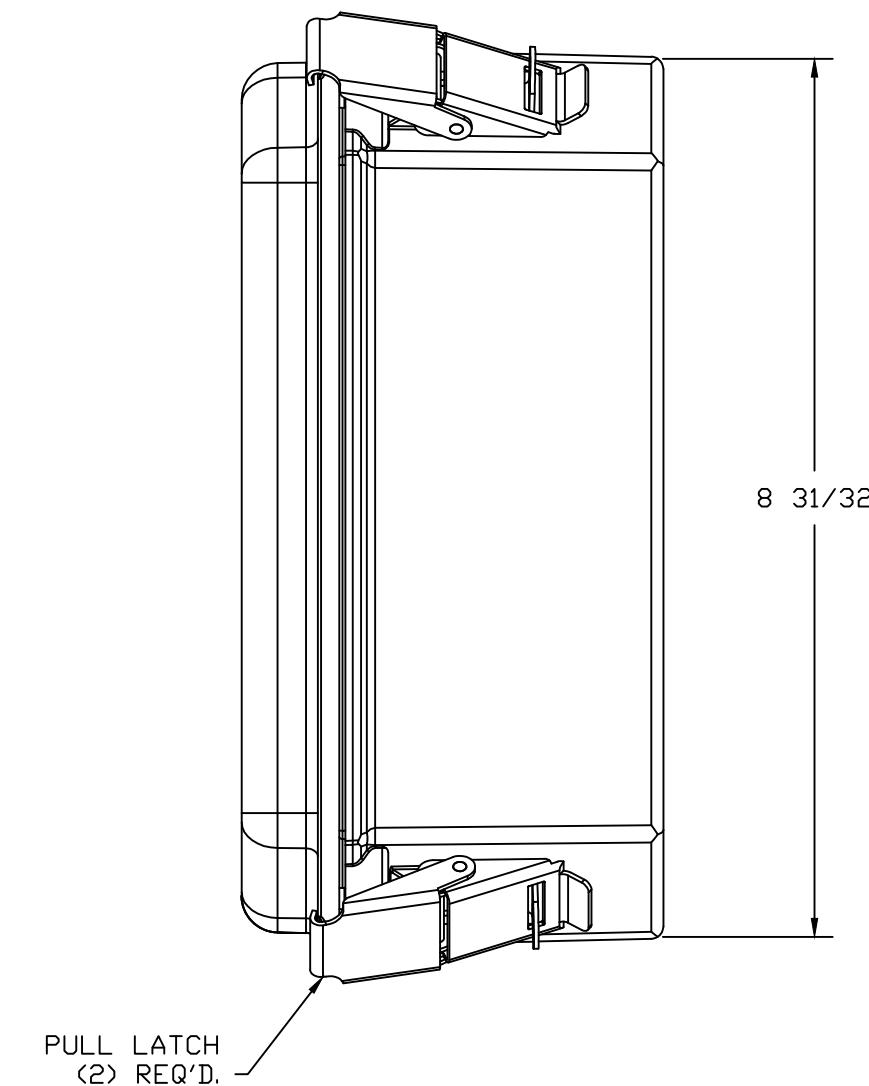
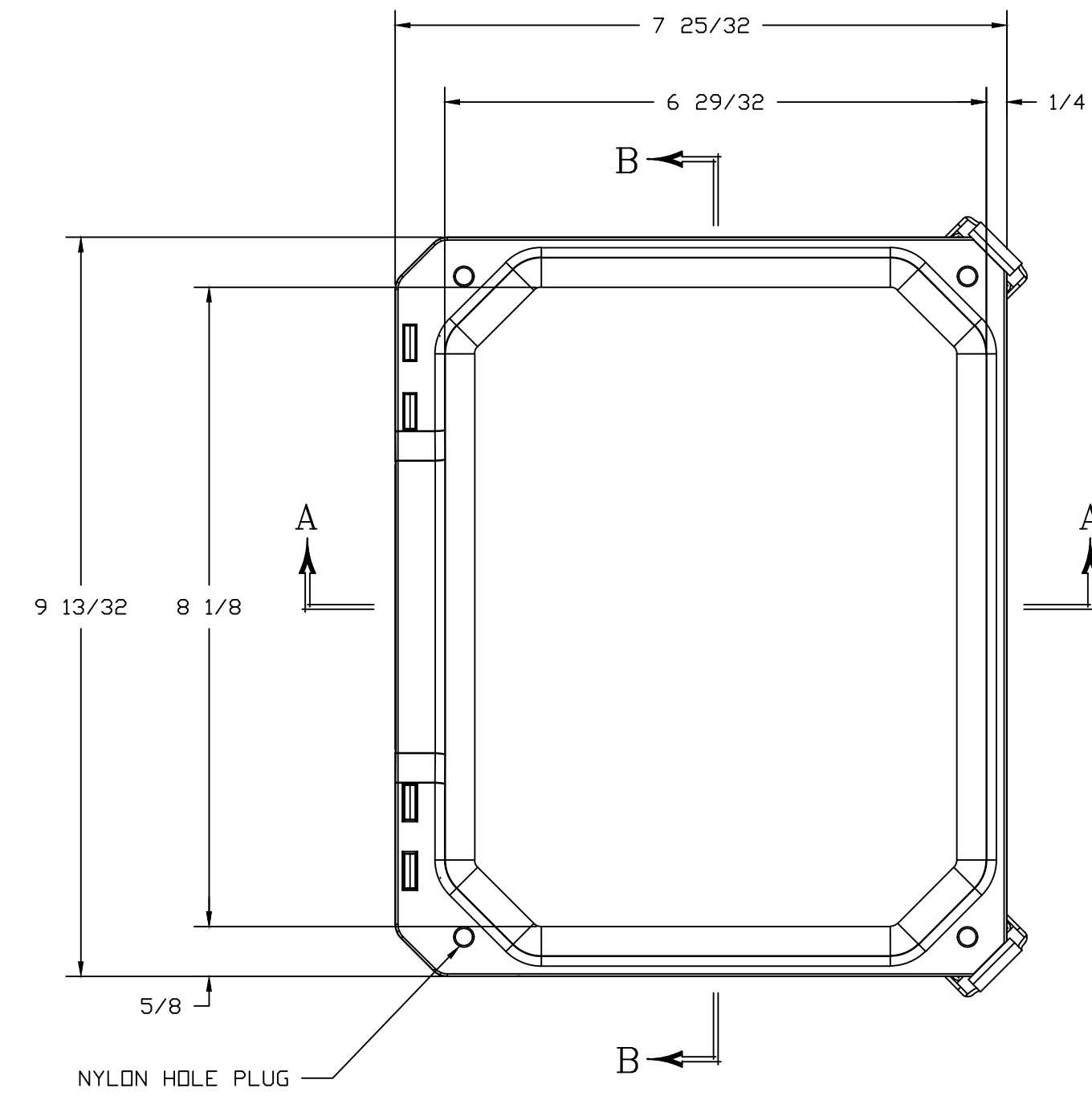
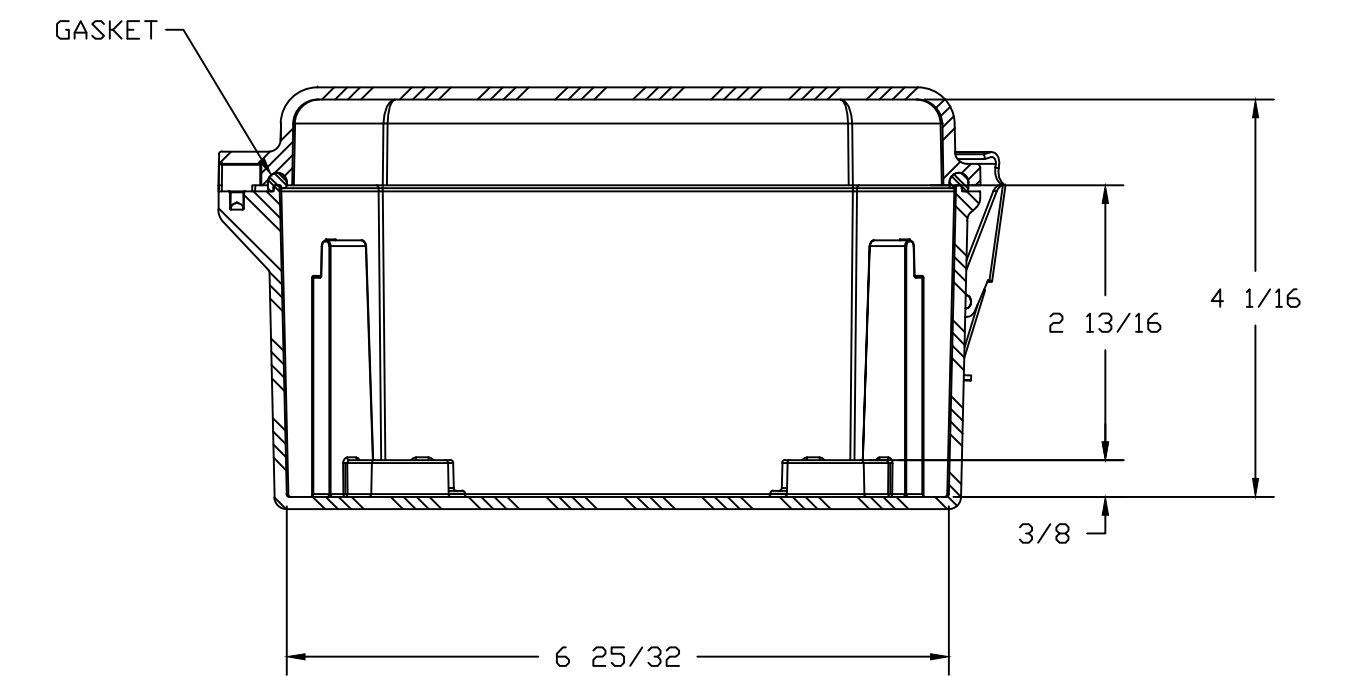
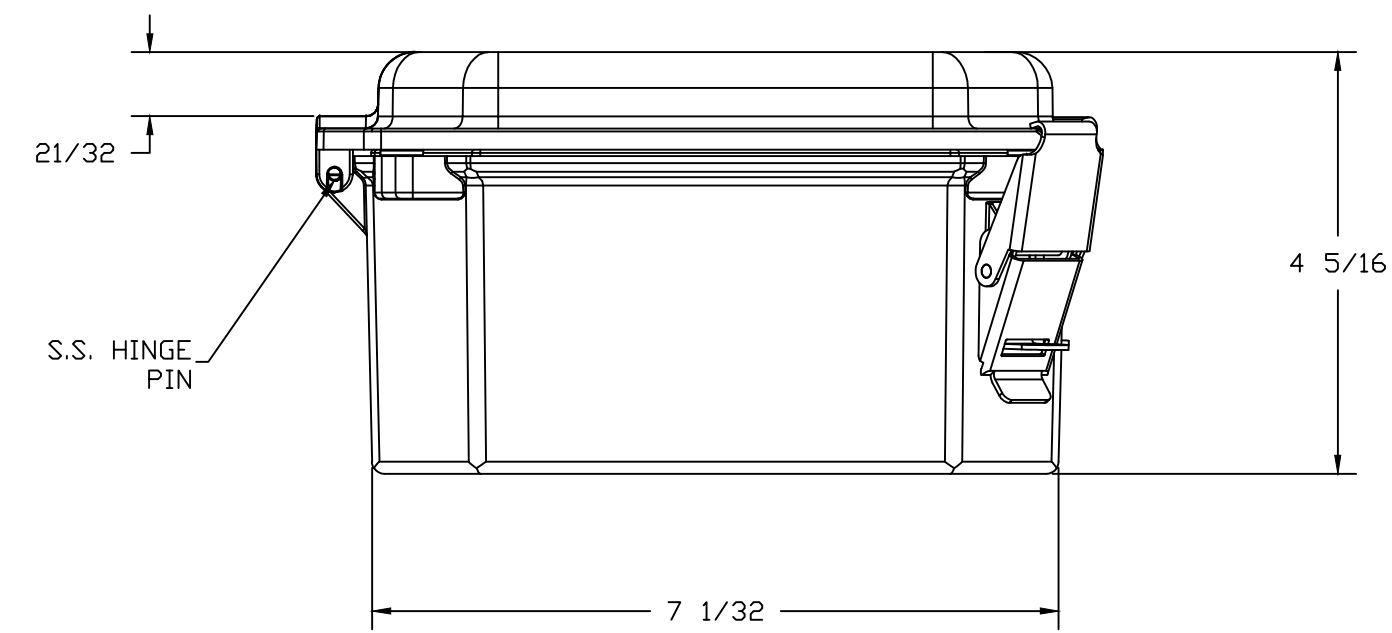


WITH COVER REMOVED



SECTION B-B



SECTION A-A

NOTES:

COLOR: GLACIER GRAY RR1013				TOLERANCES UNLESS SPECIFIED		DECIMAL ±.010	FRACTIONAL ± 1/32
NEMA 1, 3, 3S, 4X, 12, 13 IP66				DR. BY ZJB		DATE 3/23/03	
MATERIAL F.R. POLYESTER FIBERGLASS				CHK. BY	DATE		
LET.	REVISION RECORD	DATE	BY	CHD.	APD. BY	DATE	CUSTOMER STAHLIN
							AutoCAD DWG. FILE DSCC80604HPL
SCALE DD NDT SCALE				PART NAME ENCLOSURE		PART NO. DSCC80604HPL	

BELDING, MICHIGAN 48809