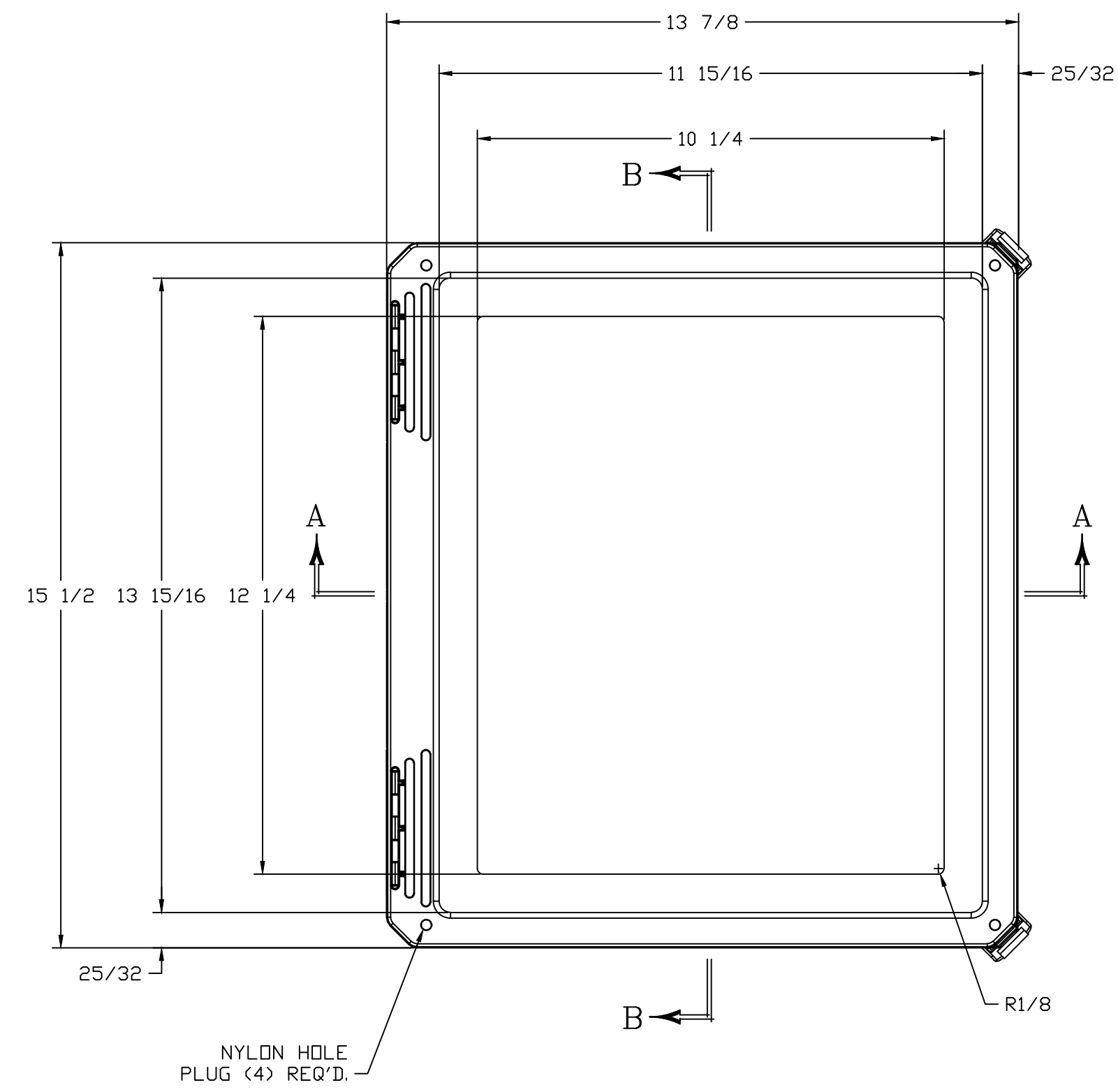
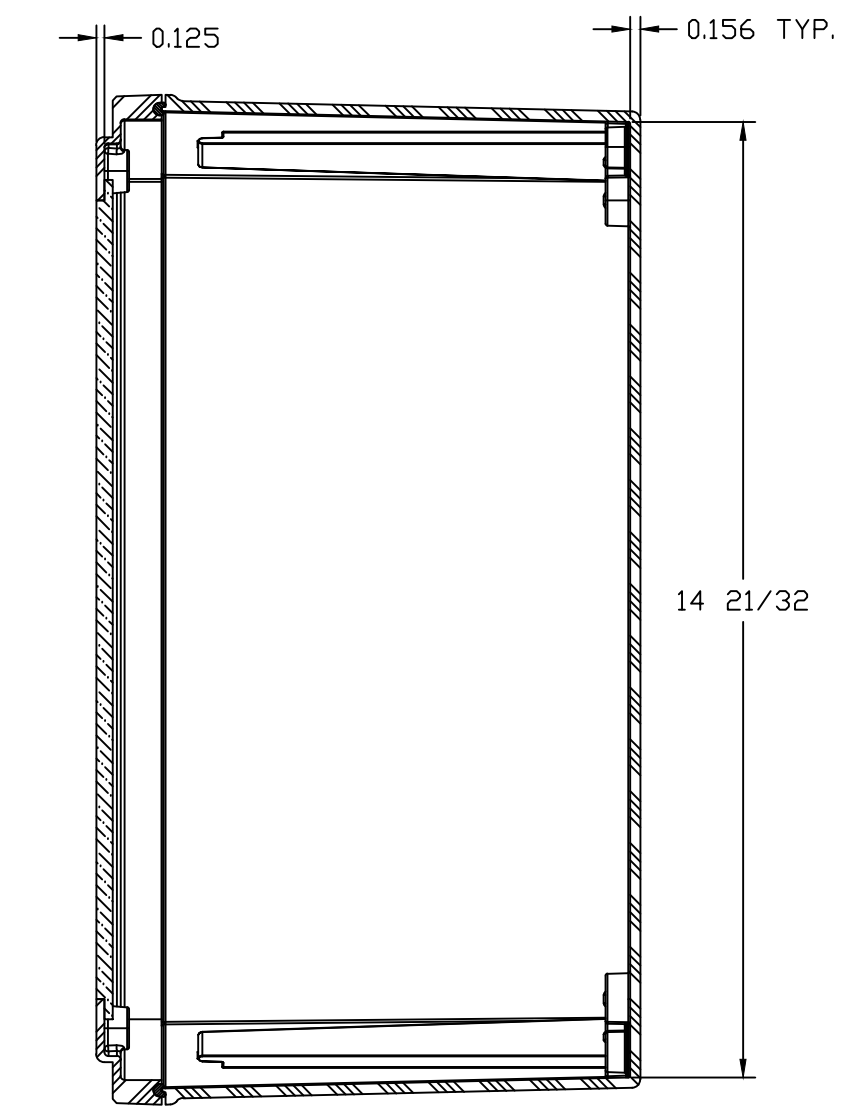
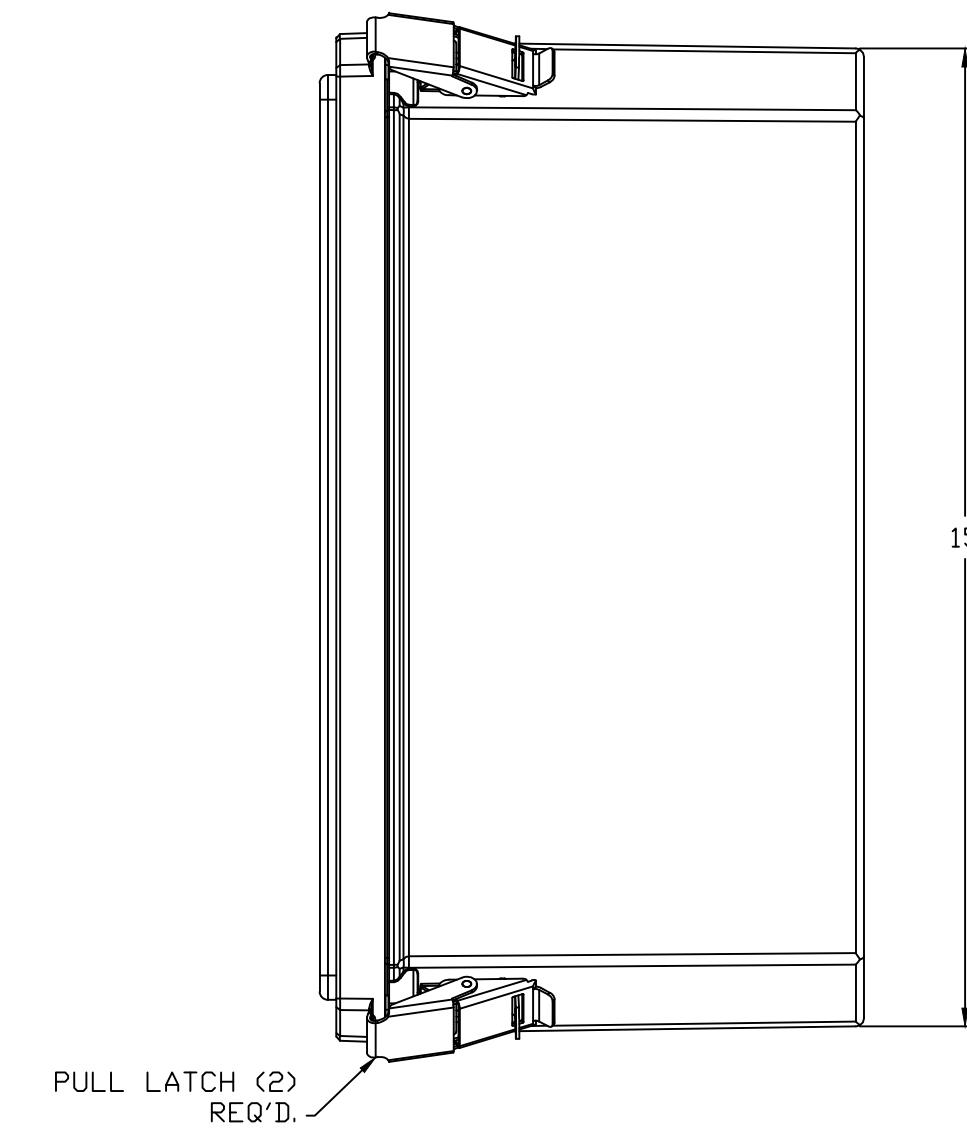


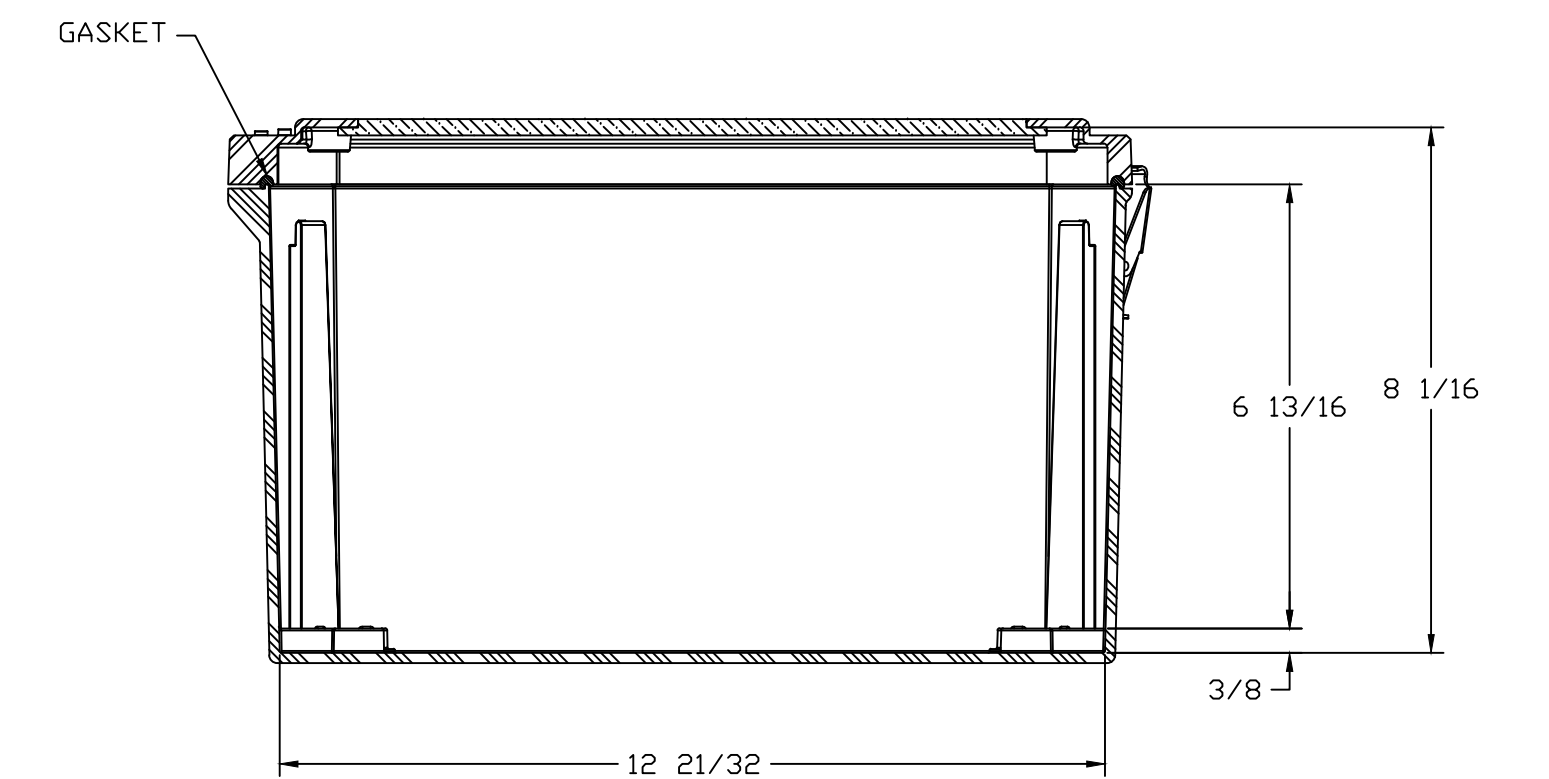
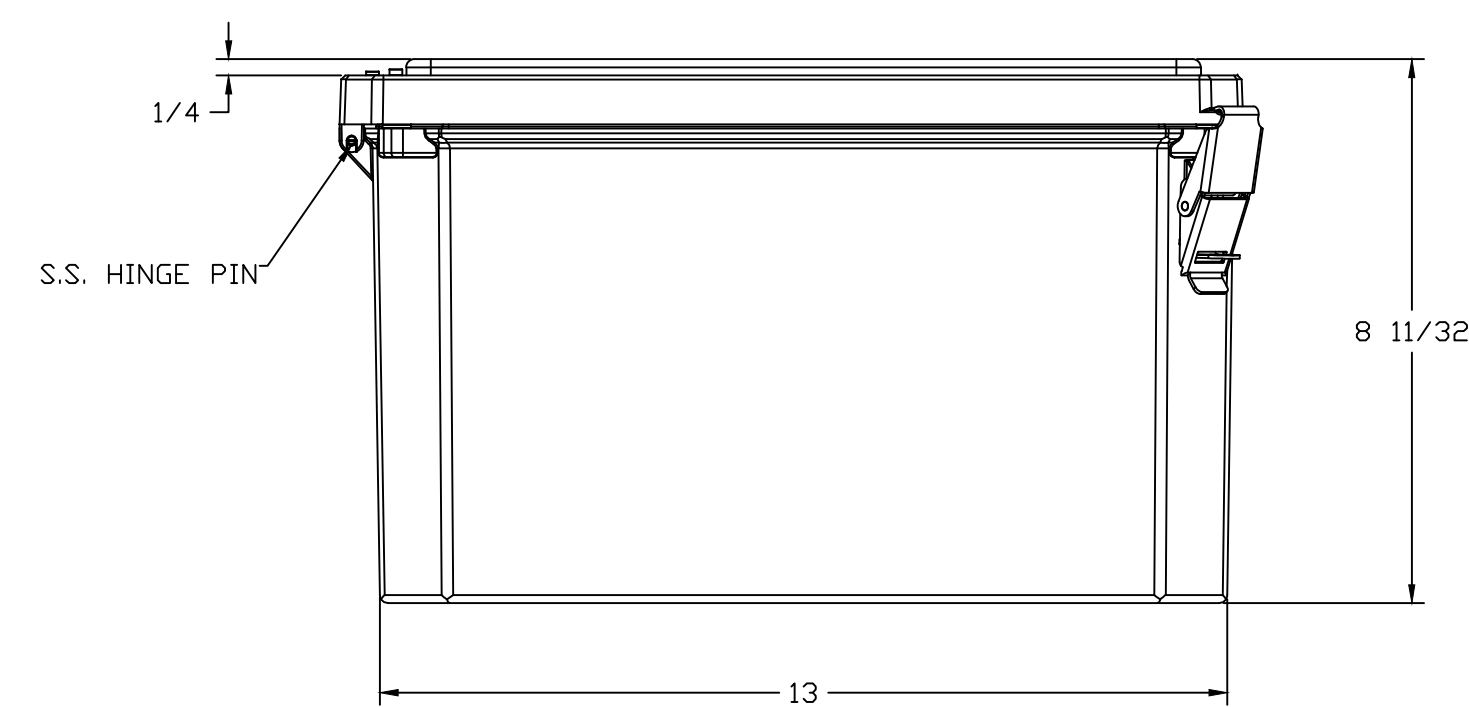
WITH COVER REMOVED



NYLON HOLE PLUG (4) REQ'D.



SECTION B-B



SECTION A-A

NOTES:

MATERIAL		F.R. POLYESTER FIBERGLASS		DR. BY ZJB		DATE 5/7/03		COLOR: GLACIER GRAY RR1013		TOLERANCES UNLESS SPECIFIED		DECIMAL ± .010		FRACTIONAL ± 1/32	
LET.		REVISION RECORD		DATE		BY		CHD.		CHK. BY		DATE		APD. BY	
														DATE	
														CUSTOMER	
														SCALE	
														PART NAME	
														ENCLOSURE	
														PART NO.	
														DSW141208HPL	

STAHLIN ENCLOSURES
DIVISION OF ROBOBY INDUSTRIES

BELDING, MICHIGAN 48809

AutoCAD DWG FILE
DSW141208HPL

AutoCAD DWG FILE
DSW141208HPL