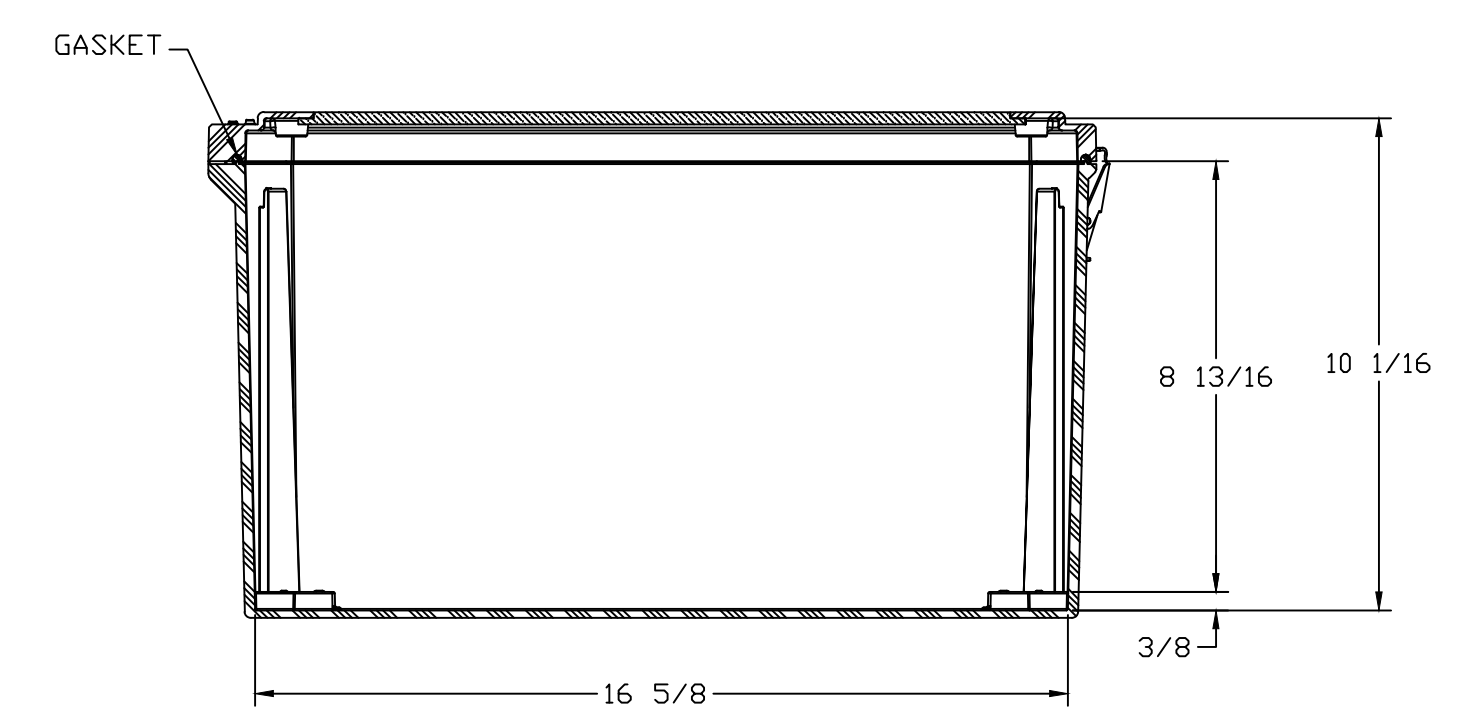
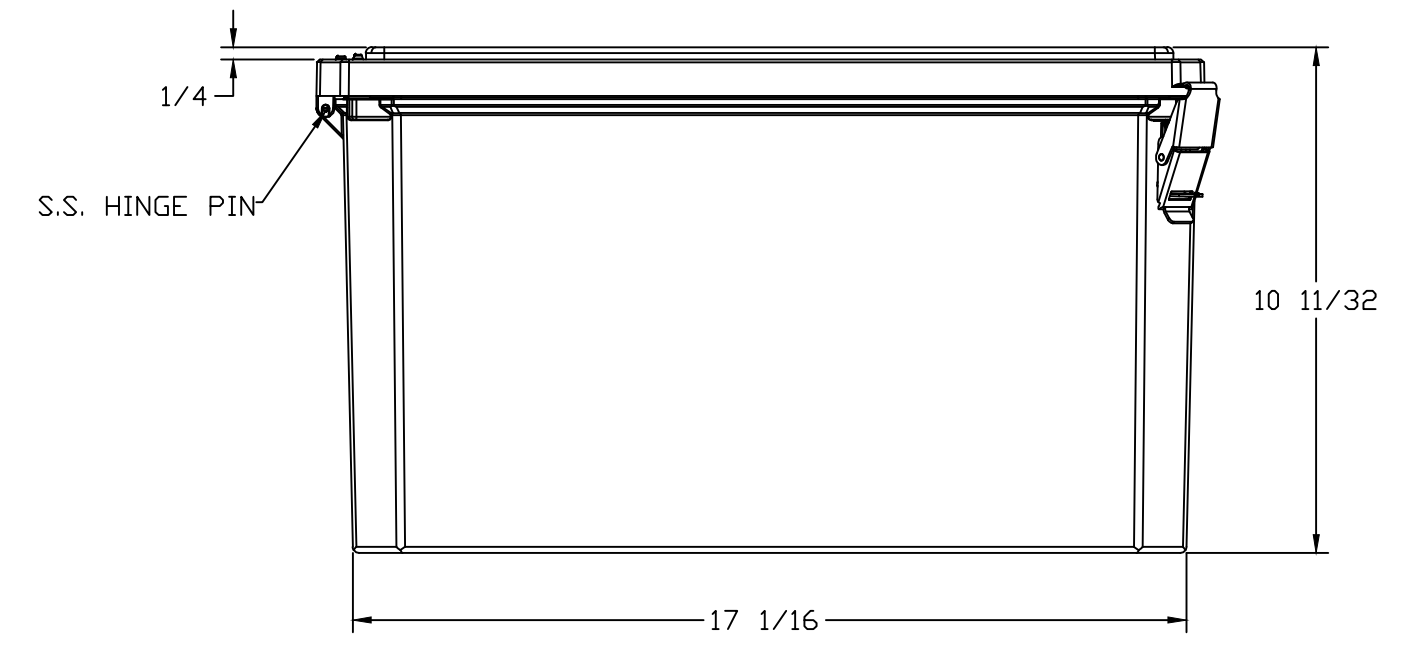



SECTION B-B



SECTION A-A

NOTES:

| | | | | | |
|--------------------------------|---------------------------|-----------------------------|-----|-----------|--------------|
| NEMA 1, 3, 3S, 4X, 12, 12 IP66 | | TOLERANCES UNLESS SPECIFIED | | DECIMAL ± | FRACTIONAL ± |
| COLOR GLACIER GRAY RR1013 | | | | | |
| MATERIAL | F.R. POLYESTER FIBERGLASS | DR. BY | ZJB | DATE | 6/16/03 |
| LET. | REVISION RECORD | DATE | BY | CHK. BY | DATE |
| | | | | APD. BY | DATE |
| SCALE DO NOT SCALE | | PART NAME ENCLOSURE | | PART NO. | DSW201610HPL |



STAHLIN
ENCLOSURES
DIVISION OF ROBROY INDUSTRIES

BELDING, MICHIGAN 48809

AutoCAD DWG. FILE DSW201610HPL