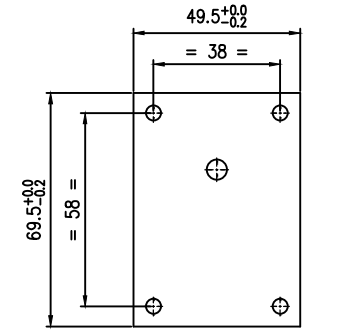
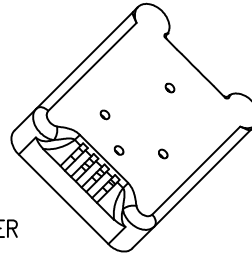
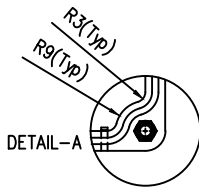
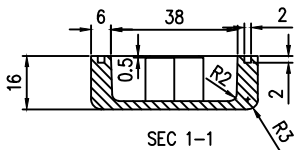


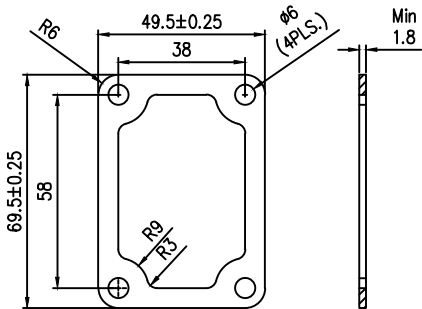
ISOMETRIC VIEW



STICKET TEMPLATE FOR DRILLING DGSD-LA-08



SMC DRAINVENT COVER DGDV-021-70-50-01



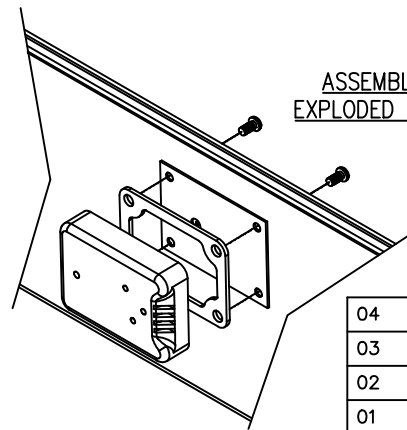
EPDM GASKET (2) FOR COVER/ADAPTOR DGSD-G-15

MATERIAL FOR DRAINVENT COVER  
SMC 8595/30/F1 [AIt]  
SMC 596/20/F1  
COLOUR: GLAZIER GREY

SCREW SELECTION CHART

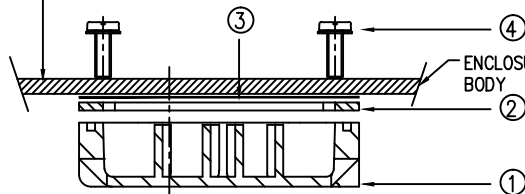
WALL THICK. "W"	M4 SCREW LENGTH "L"
1.6 UPTO 3.5	8 mm
4.0 UPTO 5.5	10 mm

ASSEMBLY EXPLODED VIEW



SECTION OF ASSEMBLY

BOTTOM SIDE VIEW



S.No	DESCRIPTION	MATERIAL	QTY
04	M4X"L" CH.HD.SCREW	S.S	4+4
03	STICKER TEMPLATE	ADHESIVE	1
02	GASKET	EPDM-RUBBER	1
01	DRAINVENT COVER	SMC	1

DEVI POLYMERS PVT.LTD.  
B6&7 INDUSTRIAL ESTATE, GUINDY, CHENNAI-32.

DPPL

TITLE: DRAINVENT (AS TESTED)

SCALE : NTS | DATE: 18.05.02 | DEPT.: DESIGN | PROJECTION: | DRAWN: | CHECKED: |

DRG.NO. DGDV-021-70-50-01 | SHT. 1 OF 1 SHT. TRACED: | APPROVED: |

26.09.03 MADE IN INDIA  
15.07.03 ISSUE-A2 ADDED  
10.02.03 ISSUE-A1 UL TYPES ADDED  
10.02.03 ISSUE-A0 ORIGINAL