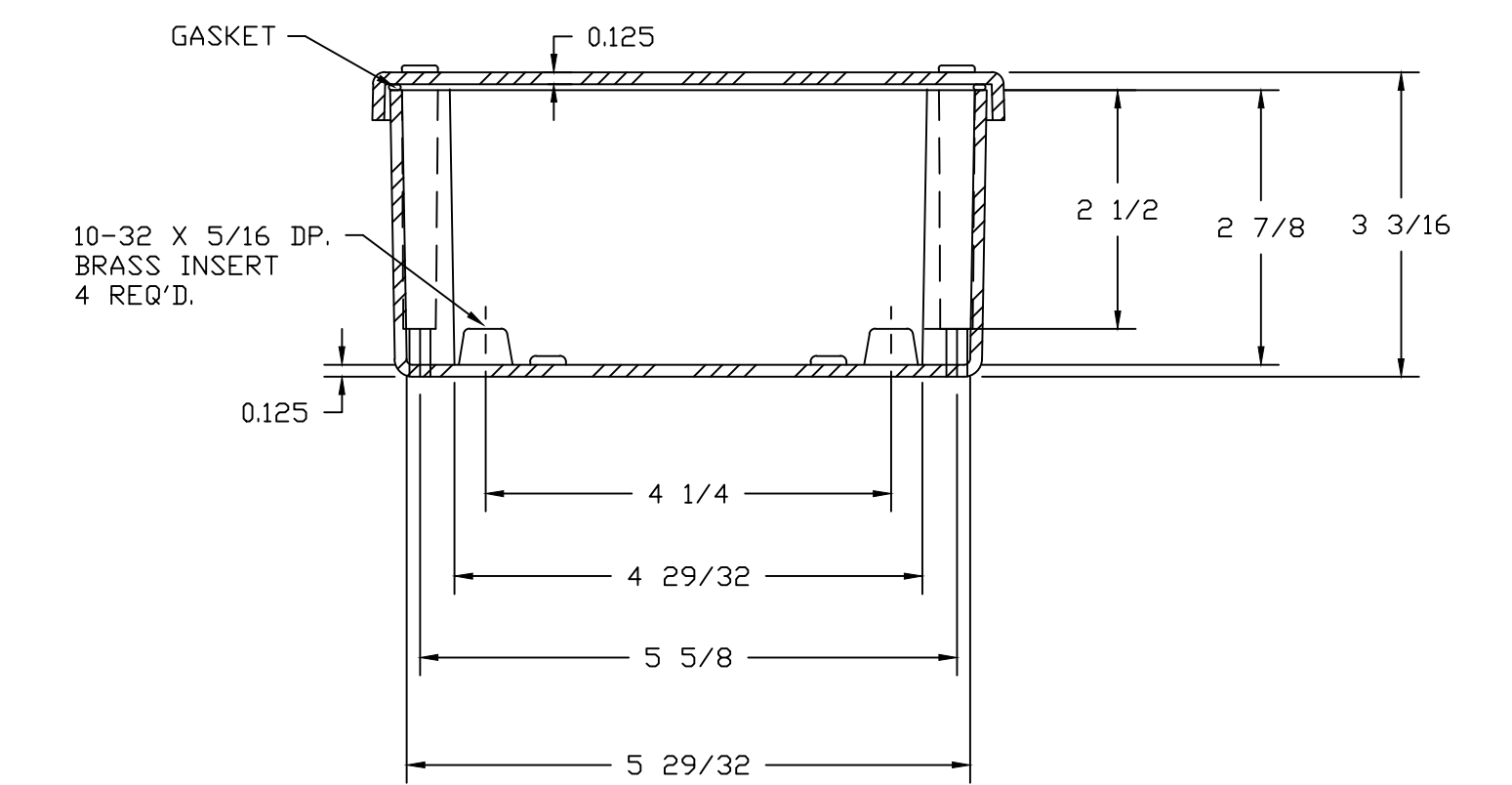
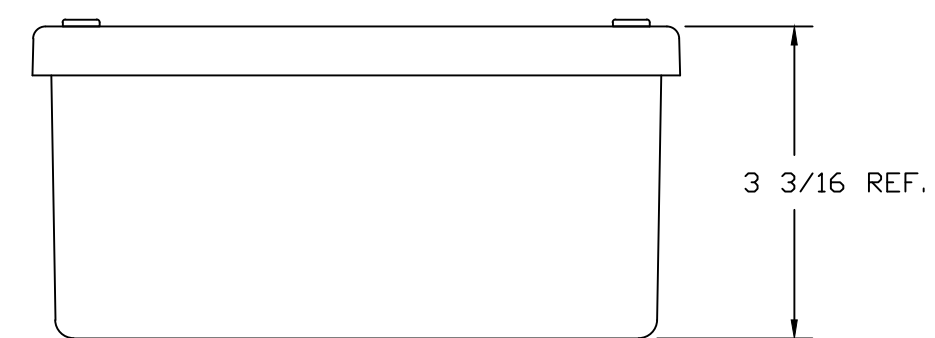


SECTION B-B



SECTION A-A

NOTES:										
NEMA 4X							TOLERANCES UNLESS SPECIFIED		DECIMAL ± .010	FRACTIONAL ± 1/32
COLD R. GLACIER GRAY RR1013										
MATERIAL F.R. POLYESTER FIBERGLASS							DR. BY LB	DATE 10/22/07		
LET.	REVISION RECORD	DATE	BY	CHD.	CHK. BY	DATE				
					APD. BY	DATE	CUSTOMER		AutoCAD DWG. FILE	
							SCALE DO NOT SCALE		PART NO. F763	
							PART NAME ENCLOSURE		PART NO. F763	

STAHLIN
ENCLLOSURES
DIVISION OF ROBOBY INDUSTRIES

BELDING, MICHIGAN 48809