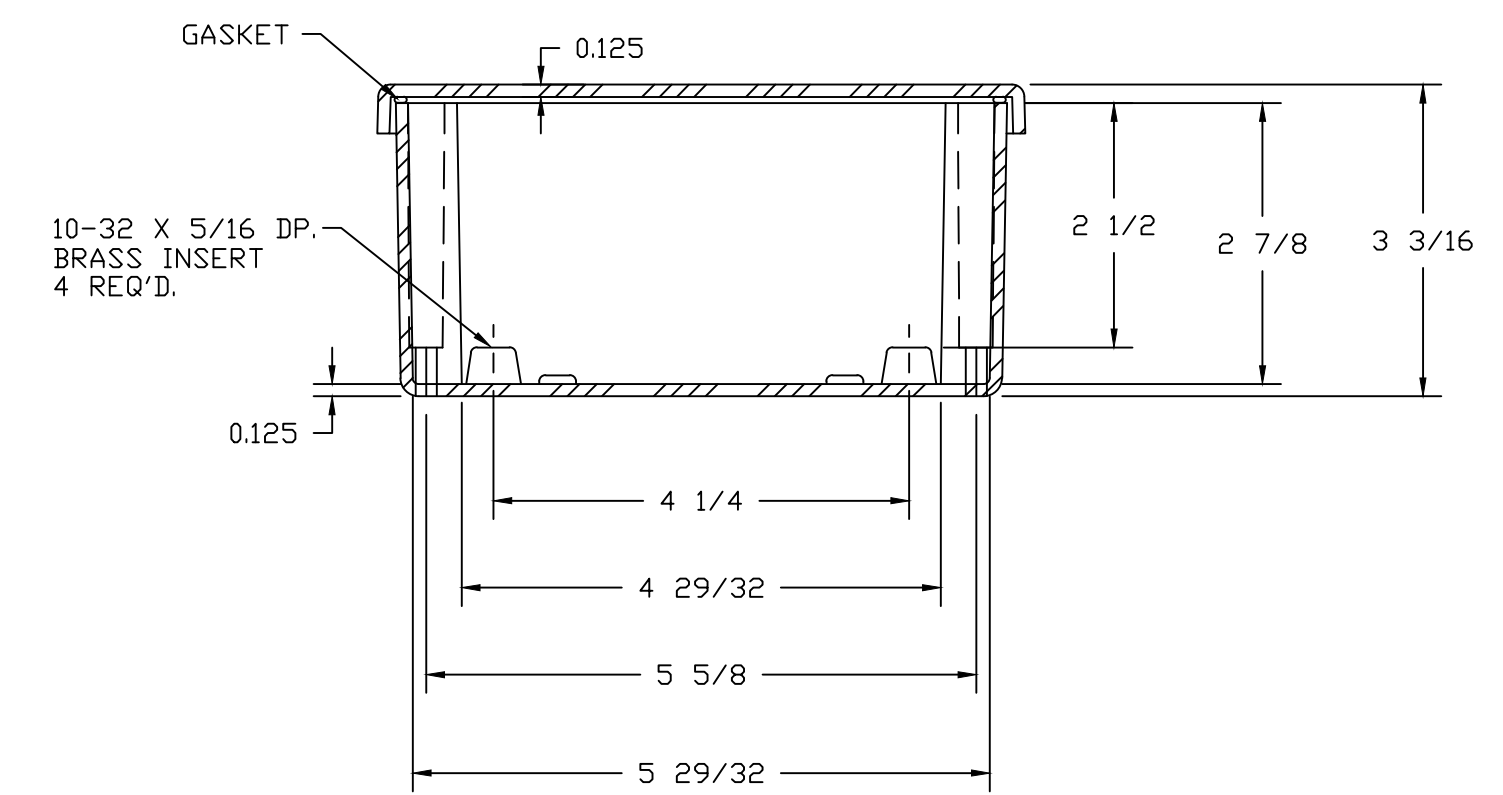
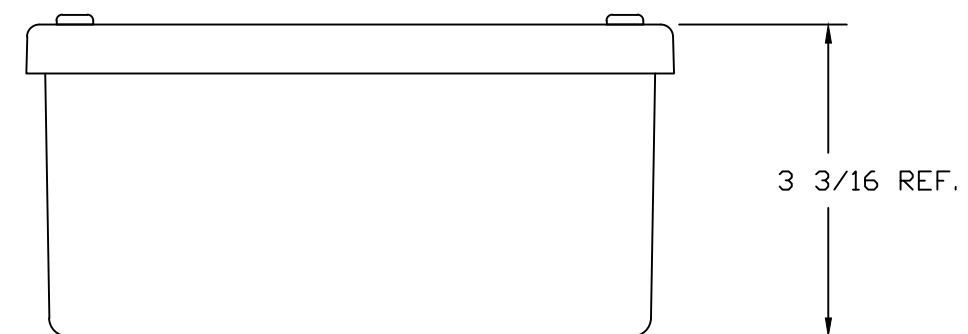



SECTION B-B



SECTION A-A

NOTES:

NEMA 4X		TOLERANCES UNLESS SPECIFIED		DECIMAL ± .010	FRACTIONAL ± 1/32
COLD R. GLACIER GRAY RR1013		DR. BY GF		DATE 7/23/93	 BELDING, MICHIGAN 48809
MATERIAL F.R. POLYESTER FIBERGLASS		CHK. BY	DATE		
LET.	REVISION RECORD	DATE	BY	CHD.	APD. BY
					DATE
SCALE DO NOT SCALE		PART NAME ENCLOSURE		PART NO. F963	AutoCAD DWG. FILE F963