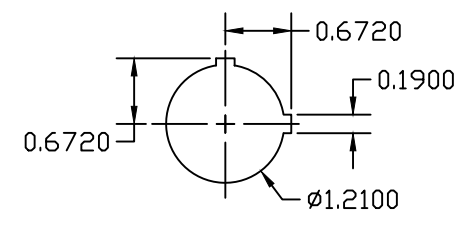
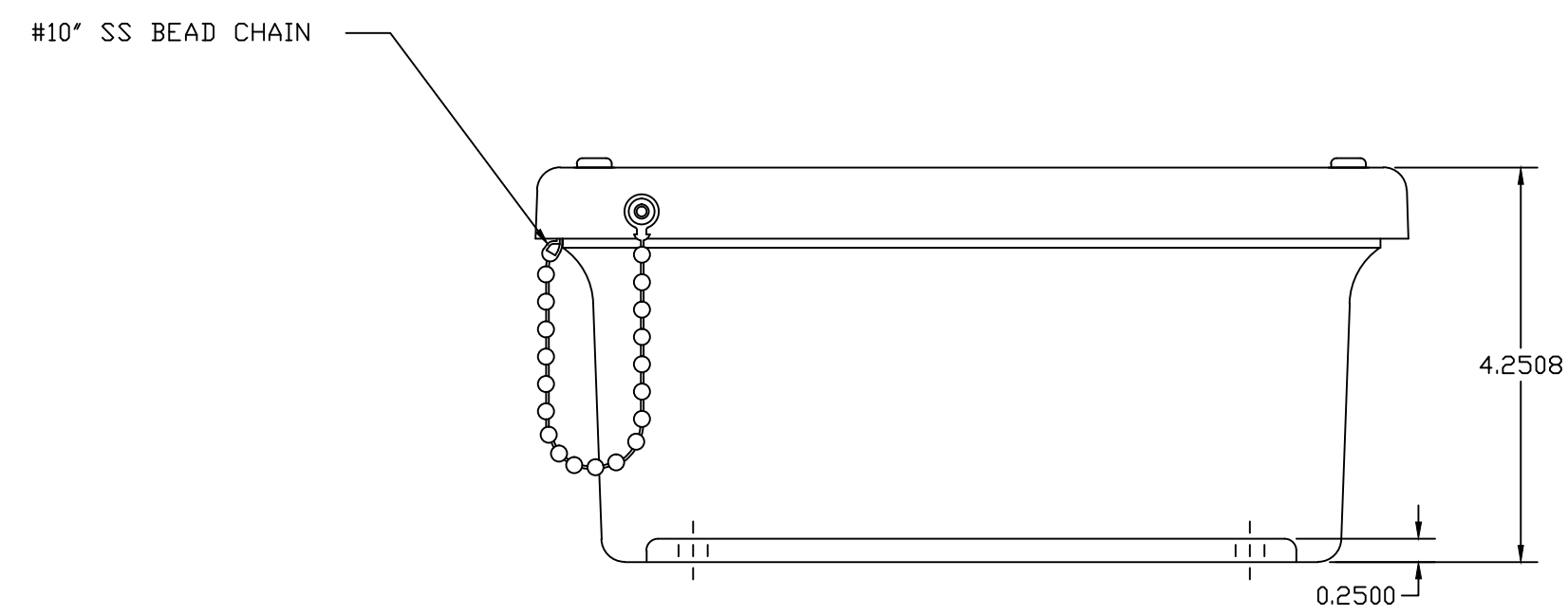
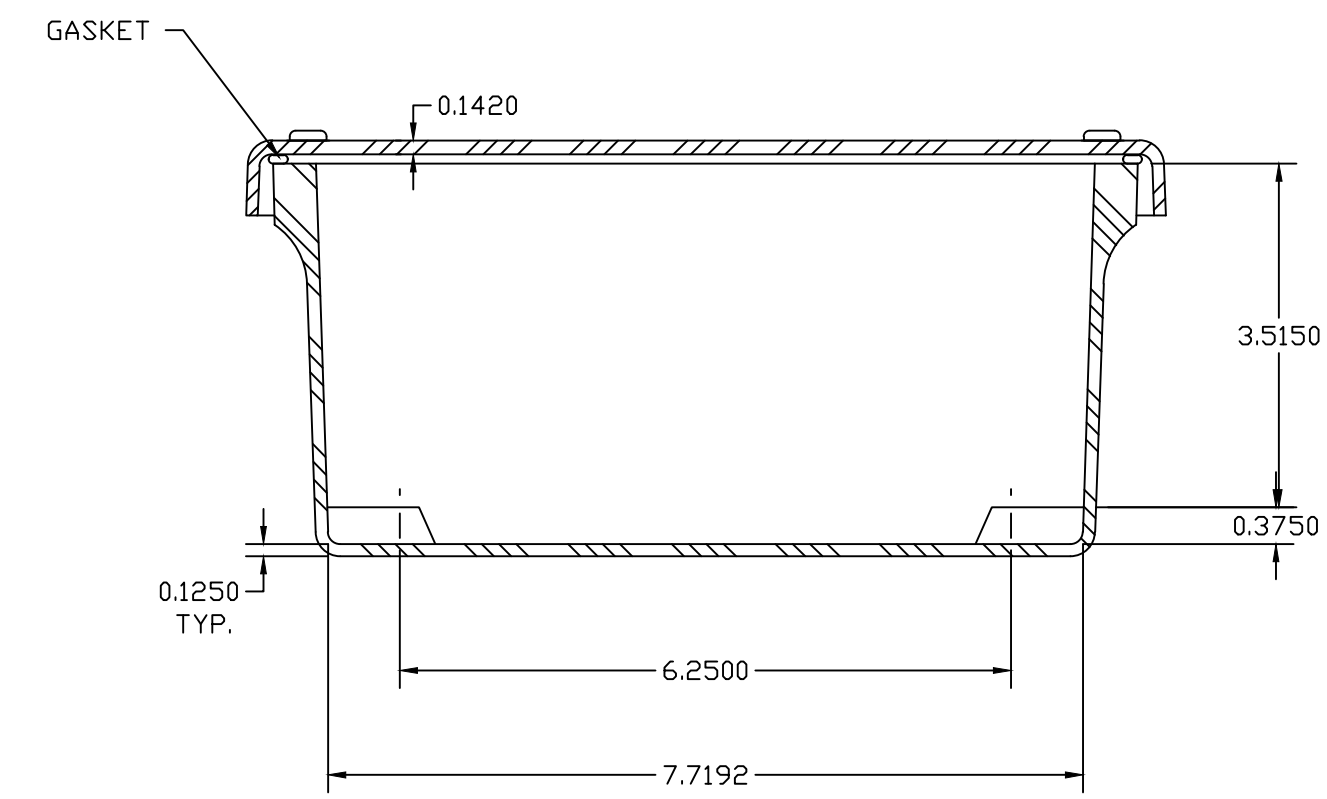


SECTION B-B



DETAIL A



SECTION A-A

NOTES:

NEMA 4X COLOR: GLACIER GRAY RR1013						TOLERANCES UNLESS SPECIFIED		DECIMAL ± .010	FRACTIONAL ± 1/32
GROUND STRAP TO BE FURNISHED WITH ENCLOSURE									
MATERIAL	DR. BY	DATE	S. H.		6/28/91				
F.R. POLYESTER FIBERGLASS	CHK. BY	DATE							
LET.	REVISION RECORD	DATE	BY	CHD.	APD. BY	DATE	CUSTOMER		AutoCAD DWG. FILE
							ENCLOSURE		F9PBW
					SCALE	PART NAME	ENCLOSURE		PART NO. F9PBW
					DO NOT SCALE				

BELDING, MICHIGAN 48809