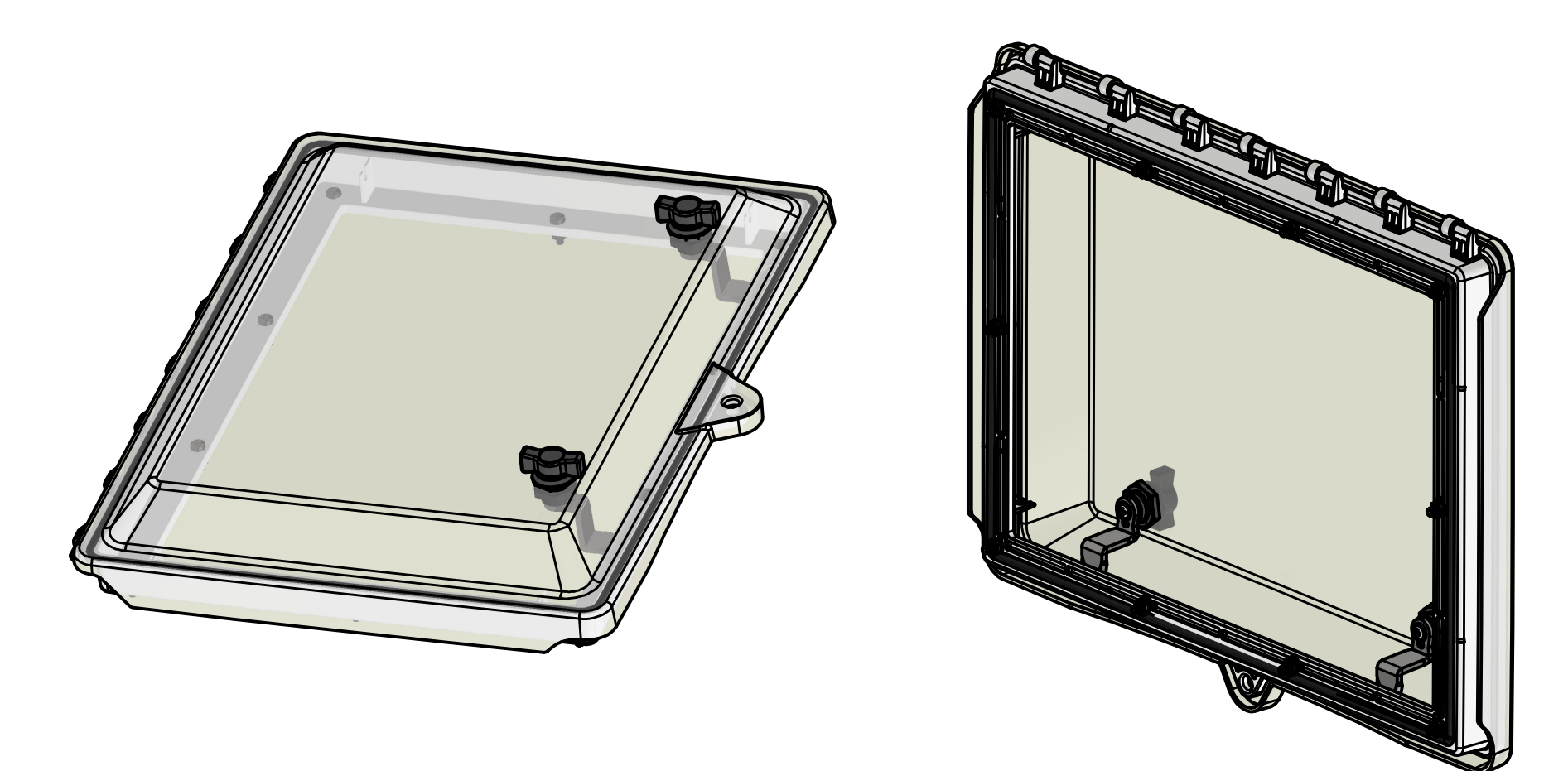
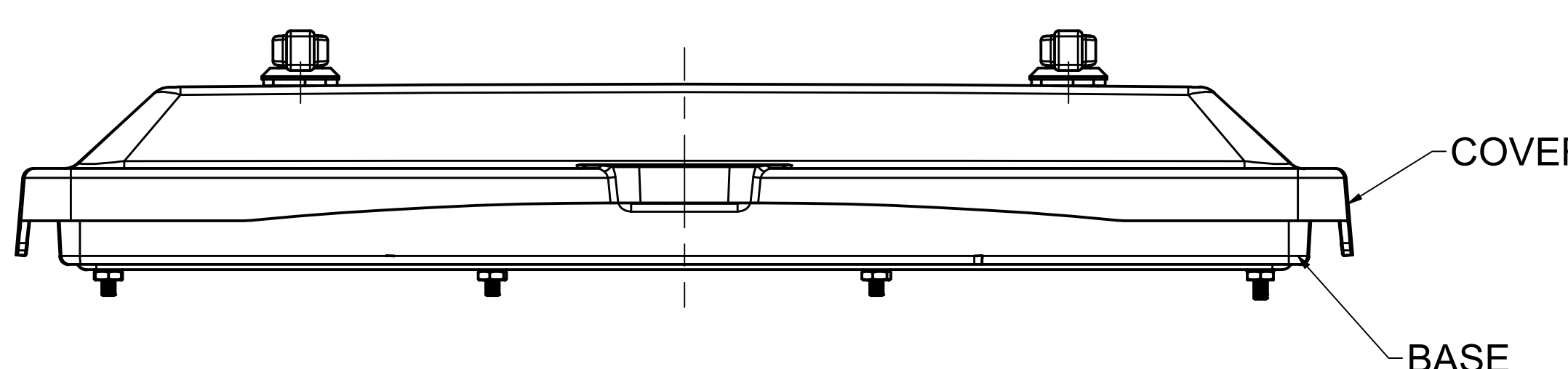


SECTION B-B  
2 PLACES



PART LIST				
POS. NO	DESCRIPTION	QUANTITY	MATERIAL	COLOR
1	BASE	1	POLYCARBONATE	PANTONE 428 C
2	CLEAR COVER	1	POLYCARBONATE	CLEAR
3	WING KNOB QUARTER TURN LOCK	2	POLYAMIDE/STEEL LATCH	
4	HARDWARE KIT	1	STAINLESS STEEL	

THIS DRAWING IS THE SOLE AND EXCLUSIVE PROPERTY OF ROBROY ENCLOSURES. NO PART OF THIS DRAWING MAY BE REPRODUCED, DISTRIBUTED, OR PUBLICALLY DISPLAYED IN ANY FORM OR BY ANY MEANS WITHOUT THE EXPRESS WRITTEN PERMISSION OF ROBROY ENCLOSURES. ALL RIGHTS RESERVED. UNDER THE COPYRIGHT LAWS. COPYRIGHT © ROBROY ENCLOSURES.

**SPECIAL REQUIREMENTS**

- HARDWARE KIT PARTS IN SEALED POUCH
- # 10-32 x 3/4 SS 304 PHILIP DRIVE PAN HEAD SCREWS - 10 Nos. (ALT)
  - M5 X 3/4 SS 304 SLOTTED CHEESE HEAD SCREW - 10 Nos.
  - SS WASHERS - 20 Nos.
  - SS 304 #10-32 NUT (ALT) M5 NUT - 10 Nos.
  - INSTRUCTION SHEET -1 No
  - DRILL TEMPLATE - 1 No.

NEMA 250: TYPE IEC 60529: COLOR: COLOR STANDARD: REFER TABLE		STANDARD P/N: CUSTOMER DWG:	ALL DIMENSIONS ARE IN INCHES UNLESS OTHERWISE SPECIFIED	TOLERANCES UNLESS SPECIFIED .XX ± 0.03 .XXX ± 0.010
MATERIAL: REFER MATERIAL SPEC		<b>Robroy Enclosures</b> 500 Maple Street Belding, Michigan 48809 Phone: 616-794-0700 Fax: 616-749-3378		
REVISION HISTORY				
REV	DESCRIPTION	DATE	ENG	
DRAWN BY: DEVI		DATE: 07/11/2023	CUSTOMER: HMICVR1611C	
SCALE: DO NOT SCALE		DESCRIPTION: Assembly		PART NUMBER: HMICVR1611C