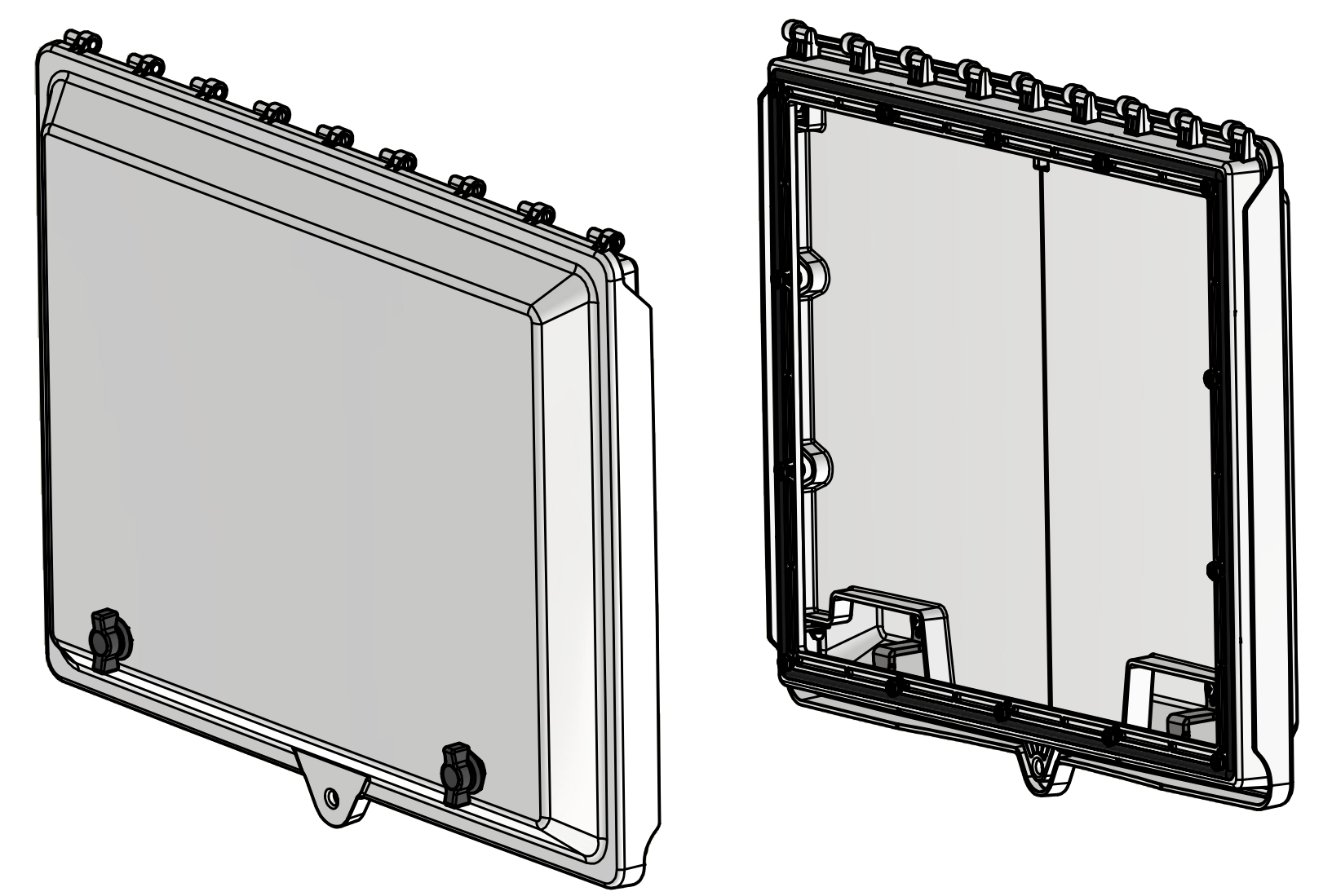


PART LIST			
POS. NO	DESCRIPTION	QUANTITY	MATERIAL
1	ENCLOSURE (BASE/COVER/INNER DOORS)	1	POLYCARBONATE
2	WING KNOB QUARTER TURN LOCK	2	POLYAMIDE/STEEL LATCH
3	HARDWARE KIT	1	STAINLESS STEEL



THIS DRAWING IS THE SOLE AND EXCLUSIVE PROPERTY OF ROBROY ENCLOSURES. NO PART OF THIS DRAWING MAY BE REPRODUCED, DISTRIBUTED, OR PUBLICALLY DISPLAYED IN ANY FORM OR BY ANY MEANS WITHOUT THE EXPRESS WRITTEN PERMISSION OF ROBROY ENCLOSURES. ALL RIGHTS RESERVED. UNDER THE COPYRIGHT LAWS. COPYRIGHT © 2014 ROBROY ENCLOSURES.

SPECIAL REQUIREMENTS				NEMA 250: TYPE IEC 60529 COLOR COLOR STANDARD: PANTONE 428 C	STANDARD P/N: CUSTOMER DWG:	ALL DIMENSIONS ARE IN INCHES UNLESS OTHERWISE SPECIFIED	TOLERANCES UNLESS SPECIFIED	.XX ± 0.03	.XXX ± 0.010
HARDWARE KIT PARTS IN SEALED POUCH • # 10-32 x 3/4 SS 304 PHILLIP DRIVE PAN HEAD SCREWS - 14 Nos. (ALT) M5 X 3/4 SS 304 SLOTTED CHEESE HEAD SCREW - 14 Nos. • SS WASHERS - 28 Nos. • SS 304 #10-32 NUT (ALT) M5 NUT - 14 Nos. • INSTRUCTION SHEET - 1 No. • DRILL TEMPLATE - 1 No.				MATERIAL: POLYCARBONATE LEXAN 943A REVISION HISTORY REV DESCRIPTION DATE ENG		STAHLIN A ROBROY ENCLOSURES™ BRAND		Robroy Enclosures 500 Maple Street Belding, Michigan 48809 Phone: 616-794-0700 Fax: 616-749-3378	
<small>THIS DRAWING IS THE SOLE AND EXCLUSIVE PROPERTY OF ROBROY ENCLOSURES. NO PART OF THIS DRAWING MAY BE REPRODUCED, DISTRIBUTED, OR PUBLICALLY DISPLAYED IN ANY FORM OR BY ANY MEANS WITHOUT THE EXPRESS WRITTEN PERMISSION OF ROBROY ENCLOSURES. ALL RIGHTS RESERVED. UNDER THE COPYRIGHT LAWS. COPYRIGHT © 2014 ROBROY ENCLOSURES.</small>				DRAWN BY: DEVI DATE: 07/13/2013		CUSTOMER:		DWG: HMICVR2014	
DO NOT SCALE				SCALE: Assembly		PART NUMBER: HMICVR2014			