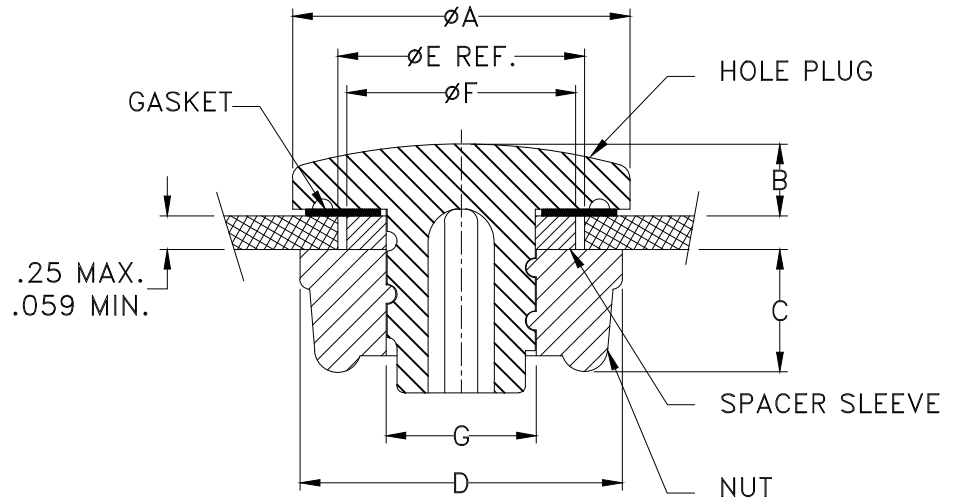


KIT NUMBER	CONFIGURATION	ØA	B	C	D ACROSS FLATS	ØE REF. NON HOLE DIA. RANGE	ØF	ØG	COMMON INDUSTRY APPLICATIONS
HPSERIES1	HP1	1.00" (25.40)	0.22" (5.59)	0.35" (8.89)	0.88" (22.35)	0.5" - 0.56" (12.70 - 14.29)	N/A	0.44" (11.18)	½" DIA. HOLE
	HP2					0.63" - 0.69" (16.00 - 17.46)	0.56" (14.22)		⅜" DIA. HOLE
	HP3					0.75" - 0.81" (19.05 - 20.64)	0.68" (17.27)		⅝" DIA. HOLE
HPSERIES15	HP3.5	1.20" (30.48)	0.22" (5.59)	0.33" (8.38)	1.04" (26.39)	0.88" (22.35)	N/A	0.81" (20.57)	½" CONDUIT
HPSERIES2	HP4	1.50" (38.10)	0.22" (5.59)	0.38" (9.63)	1.38" (35.05)	0.88" - 1" (22.35 - 25.4)	N/A	0.85" (21.59)	½" CONDUIT 22mm PB
	HP5					1.06" - 1.12" (26.92 - 28.45)	1.03" (26.16)		⅝" CONDUIT
	HP6					1.22" - 1.28" (30.73 - 32.51)	1.19" (30.22)		30mm PB
HPSERIES3	HP7	2.00" (50.80)	0.22" (5.59)	0.38" (9.63)	1.88" (47.75)	1.38" - 1.50" (35.05 - 38.10)	N/A	1.35" (34.29)	1" CONDUIT
	HP8					1.69" - 1.75" (42.67 - 44.45)	1.65" (41.91)		1-⅝" CONDUIT
HPSERIES4	HP9	2.75" (69.85)	0.22" (5.59)	0.41" (10.41)	2.63" (66.67)	2.00" - 2.12" (50.80 - 53.85)	N/A	1.97" (50.04)	1-½" CONDUIT
	HP10					2.5" - 2.56" (63.50 - 65.09)	2.44" (61.89)		2" CONDUIT
HPSERIES5	HP11	3.38" (85.85)	0.22" (5.59)	0.34" (8.63)	3.38" (85.85)	3.00" (76.20)	N/A	2.97" (75.44)	2-½" CONDUIT
HPSERIES6	HP12	4.00" (101.60)	0.22" (5.59)	0.34" (8.63)	4.00" (101.60)	3.62" (91.95)	N/A	3.59" (91.19)	3" CONDUIT
HPSERIES7	HP13	4.50" (114.30)	0.22" (5.59)	0.38" (9.63)	4.50" (114.30)	4.12" (104.65)	N/A	4.09" (103.88)	3-½" CONDUIT
HPSERIES8	HP14	5.00" (127.00)	0.22" (5.59)	0.41" (10.41)	5.00" (127.00)	4.62" (117.35)	N/A	4.59" (116.58)	4" CONDUIT



NOTES						TOLERANCES UNLESS SPECIFIED		DECIMAL ±	FRACTIONAL ±
MATERIAL	DR BY	DATE	DR BY	DATE	DR BY	DATE	<b>STAHLIN ENCLOSURES</b> <small>DIVISION OF KENNEDY INDUSTRIES</small>		
LET:	REVISION RECORD	DATE	BY	CHKD.	CHKD.	DATE	<b>STAHLIN</b> <small>AN ISO 9001:2015</small>		
APP. BY	DATE	CUSTOMER	PART NAME		PART NO.		<b>HOLE PLUG ASSY. KIT</b> <b>PLUGGIT</b>		
DO NOT SCALE									