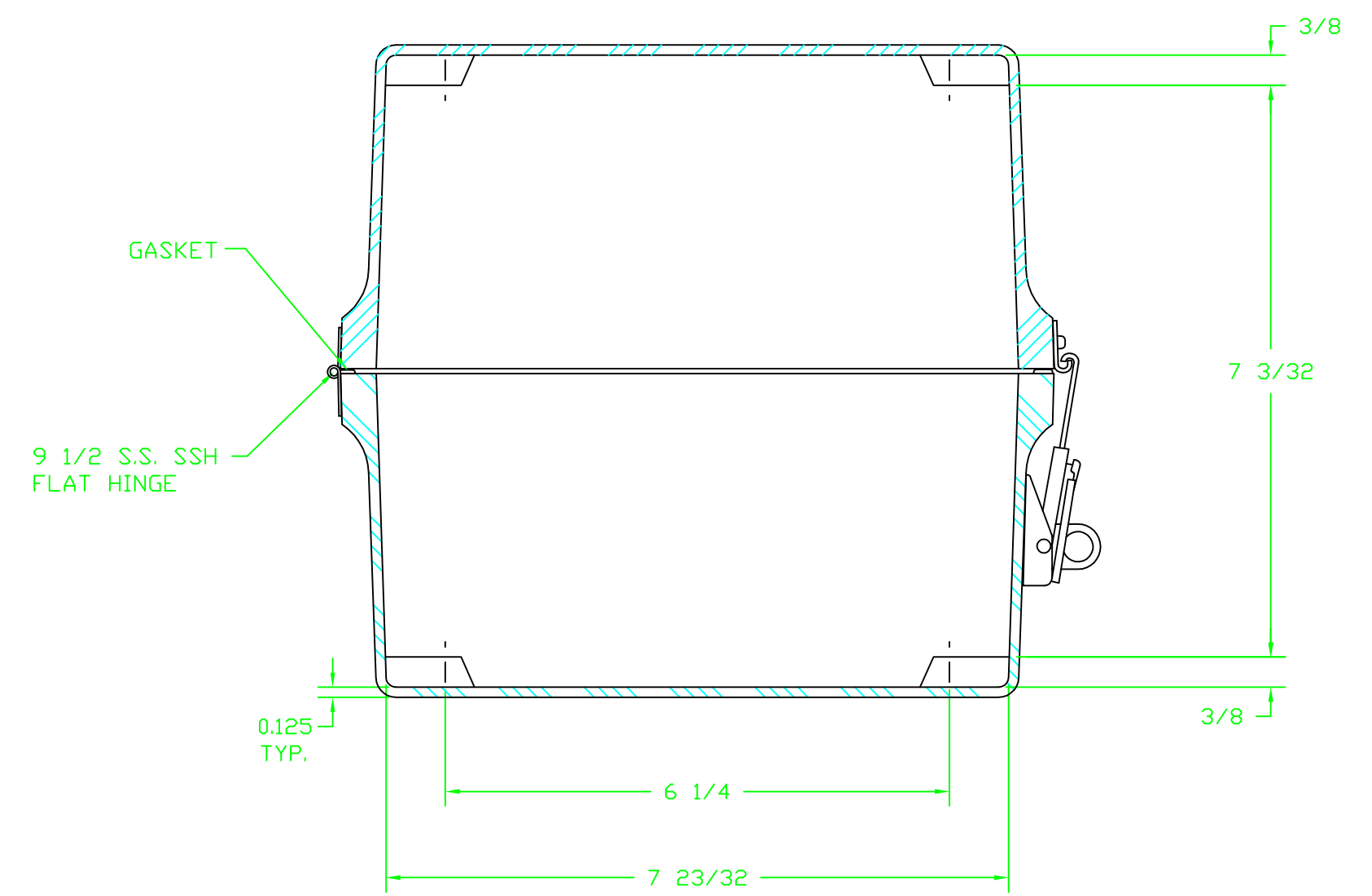
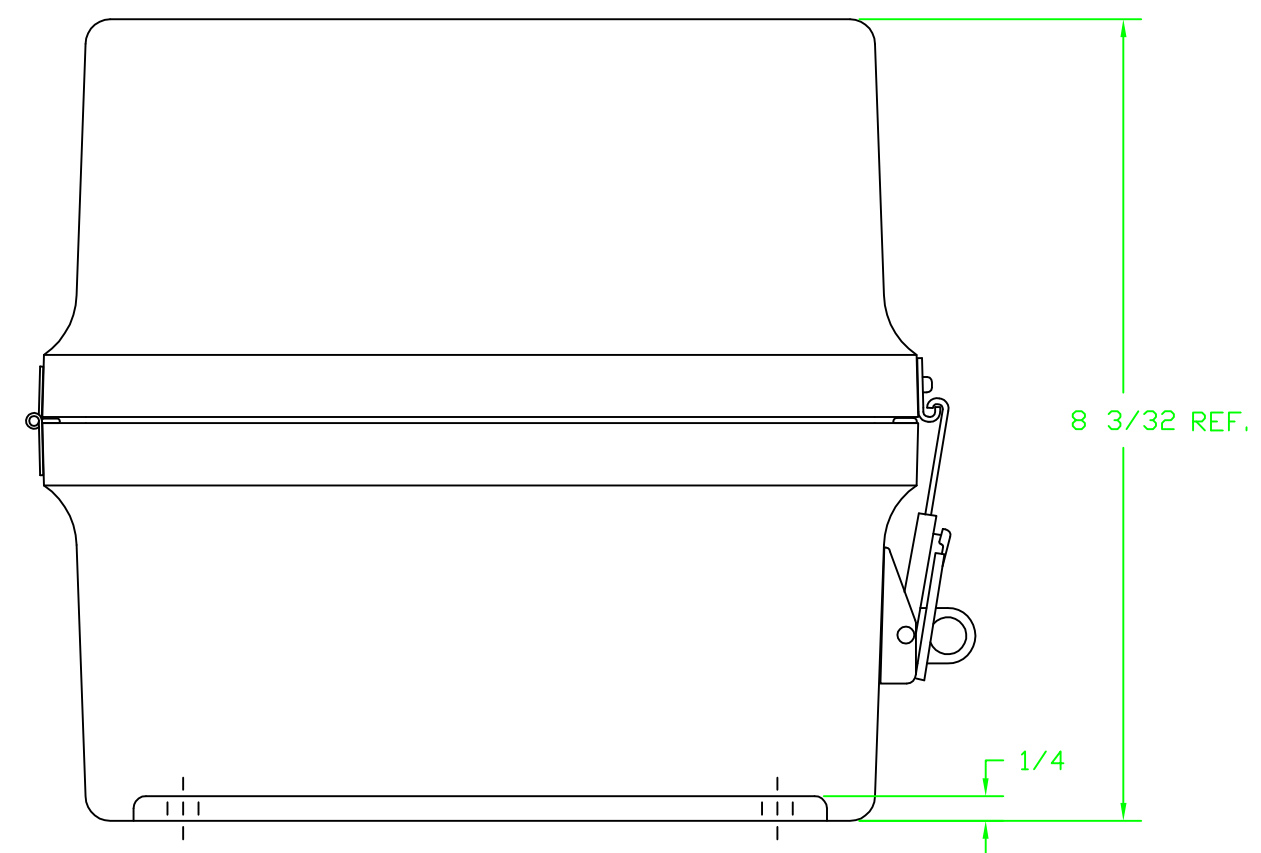


SECTION B-B



SECTION A-A

NOTES:

NEMA 4X		TOLERANCES UNLESS SPECIFIED		DECIMAL ± .010	FRACTIONAL ± 1/32
COLOR GLACIER GRAY RR1013					
MATERIAL F.R. POLYESTER FIBERGLASS		DR. BY SH	DATE 02/13/92		
LET.	REVISION RECORD	DATE	BY		
		CHK. BY	DATE	BELDING, MICHIGAN 48809	
		APD. BY	DATE	CUSTOMER	
		SCALE DO NOT SCALE		PART NAME ENCLOSURE	PART NO. J1008SSH

AutoCAD DWG FILE J1008SSH