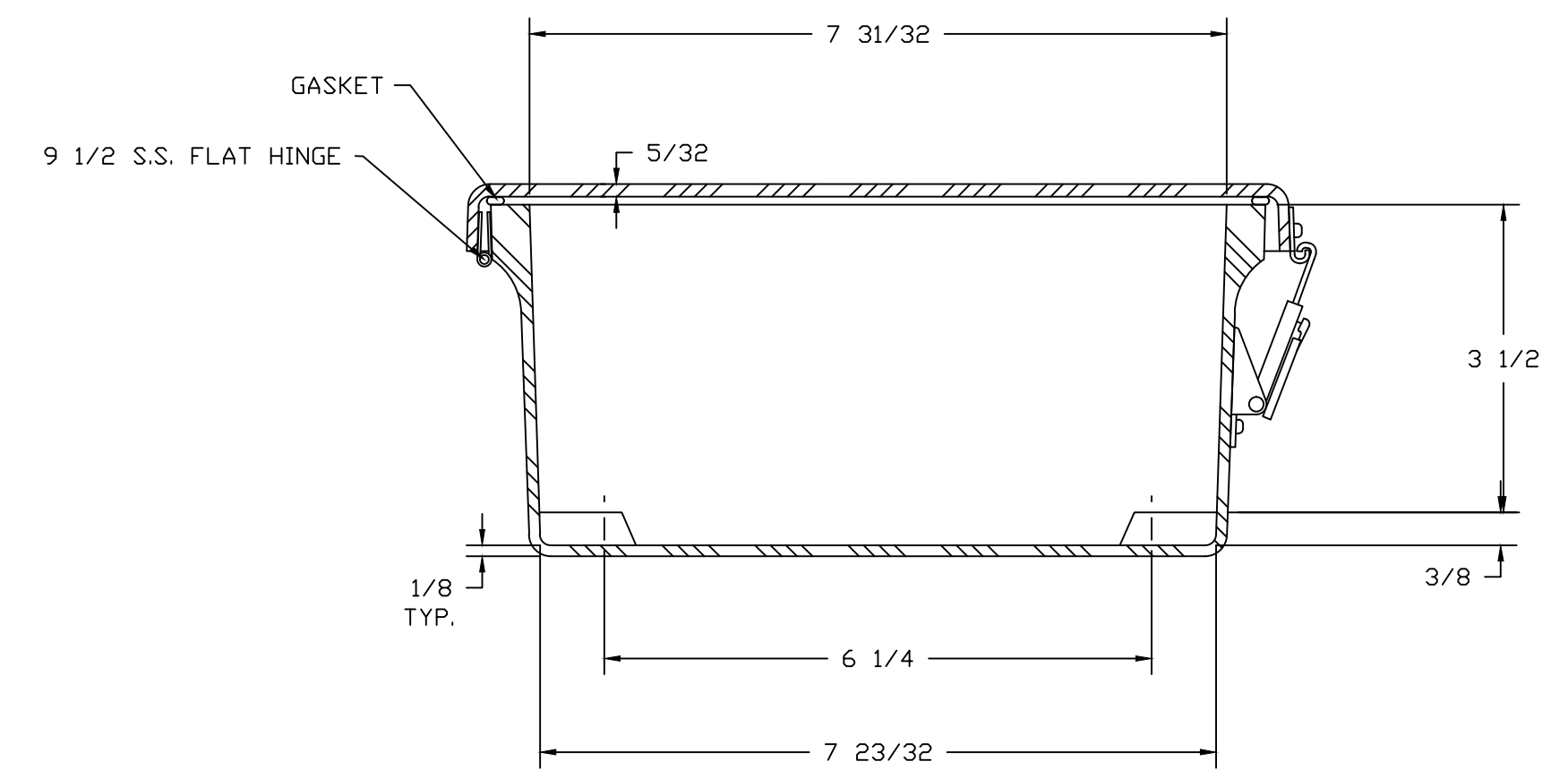
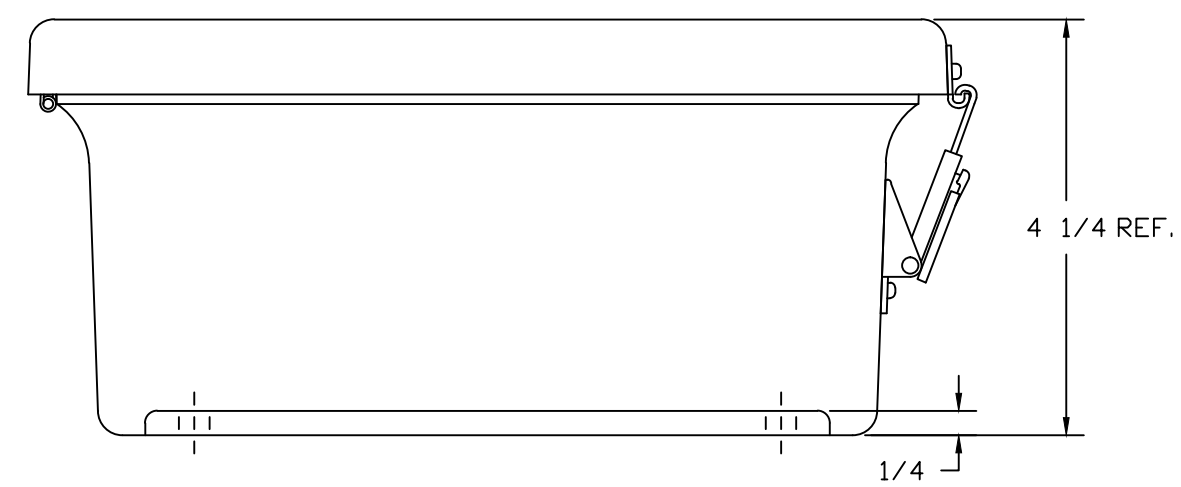



SECTION B-B



SECTION A-A

NOTES:											
NEMA 4X					DR. BY		DATE		TOLERANCES	DECIMAL	FRACTIONAL
COLOR GLACIER GRAY RR1013					SH		2/27/91		UNLESS SPECIFIED	±.010	± 1/32
MATERIAL					CHK. BY		DATE		 STAHLIN ENCLLOSURES <small>DIVISION OF ROBOBY INDUSTRIES</small>		
F.R. POLYESTER FIBERGLASS											
REVISION RECORD					APD. BY		DATE		CUSTOMER		
LET.	DATE	BY	CHD.							AutoCAD DWG. FILE	
										J1008HLL	
SCALE					PART NAME		PART NO.				
DO NOT SCALE					ENCLOSURE		J1008HLL				