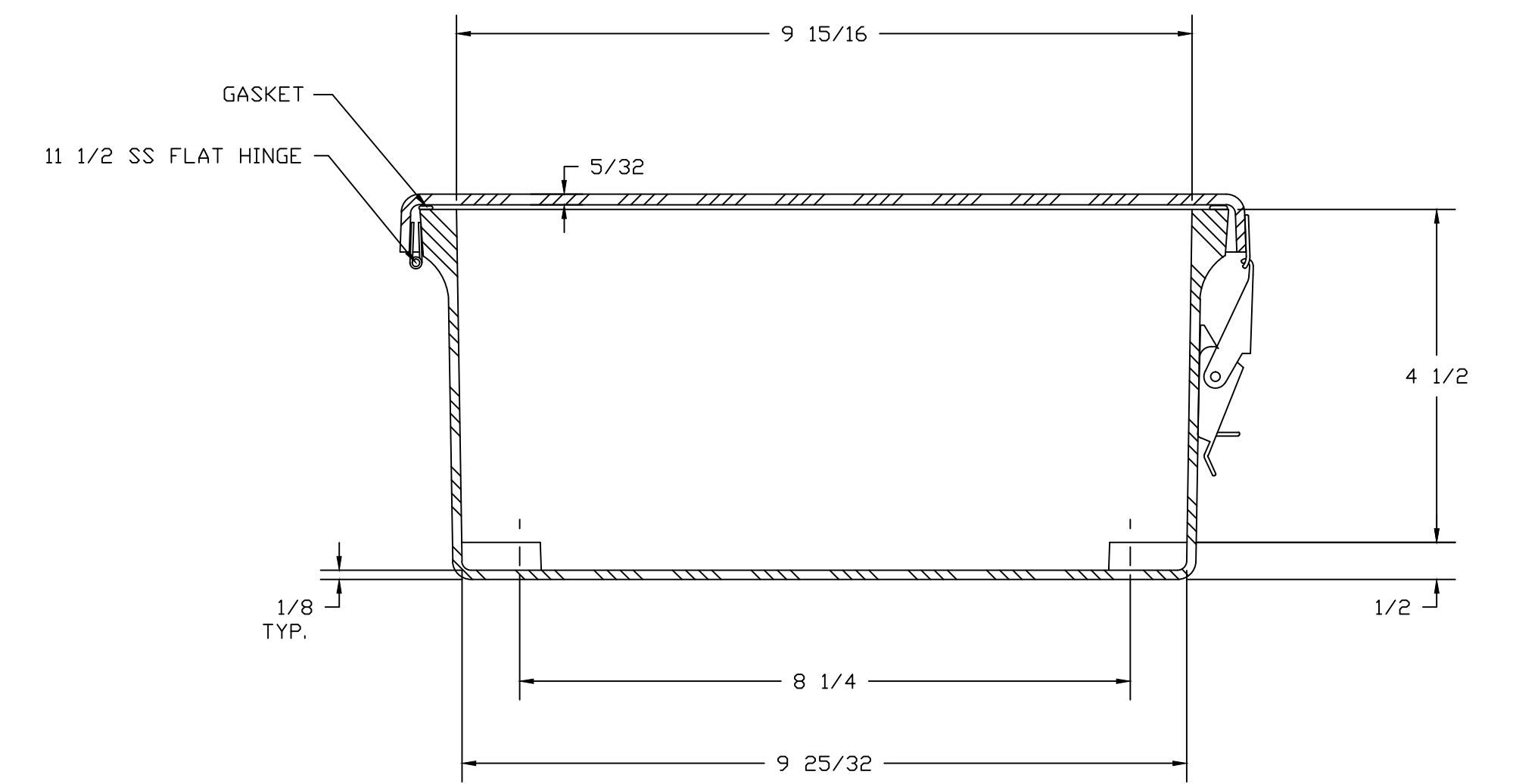
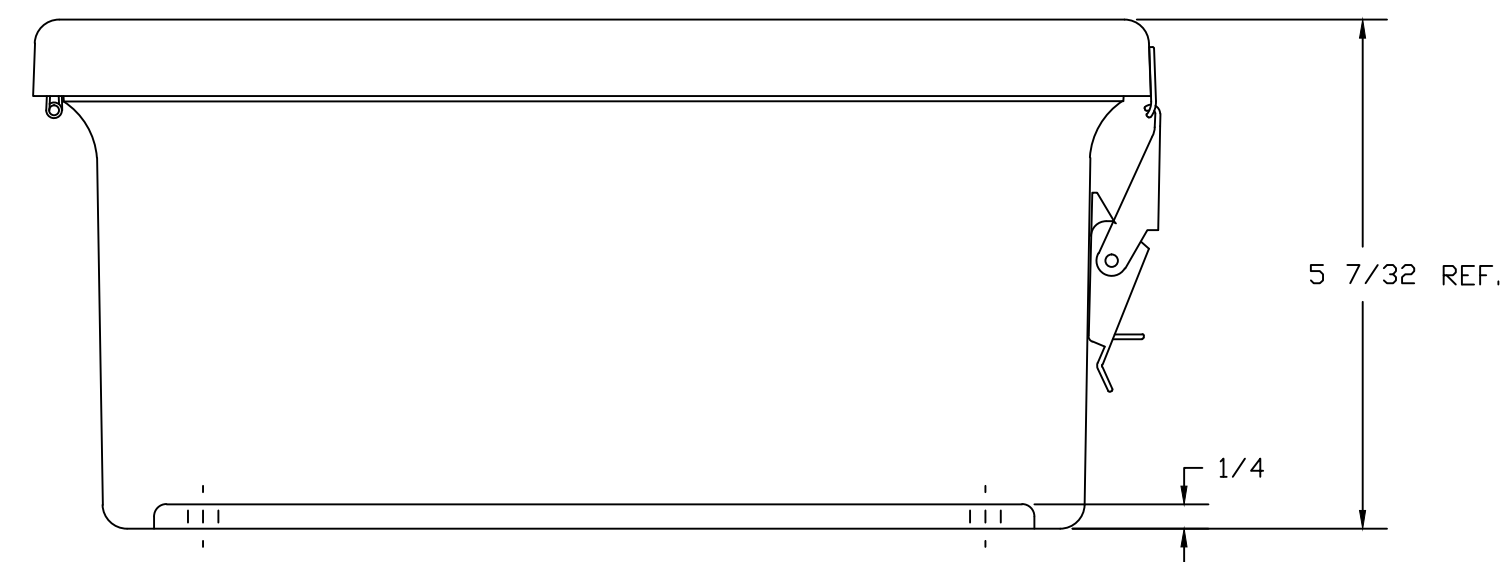



SECTION B-B



SECTION A-A

NEMA 4X				TOLERANCES UNLESS SPECIFIED		DECIMAL ± .010	FRACTIONAL ± 1/32
COLD GLACIER GRAY RR1013				DR. BY GF	DATE 6/3/91	 BELDING, MICHIGAN 48809	
MATERIAL F.R. POLYESTER FIBERGLASS				CHK. BY	DATE		
LET.	REVISION RECORD	DATE	BY	CHD.	APD. BY	DATE	CUSTOMER
							AutoCAD DWG. FILE J1210HPL
SCALE DO NOT SCALE				PART NAME ENCLOSURE		PART NO. J1210HPL	