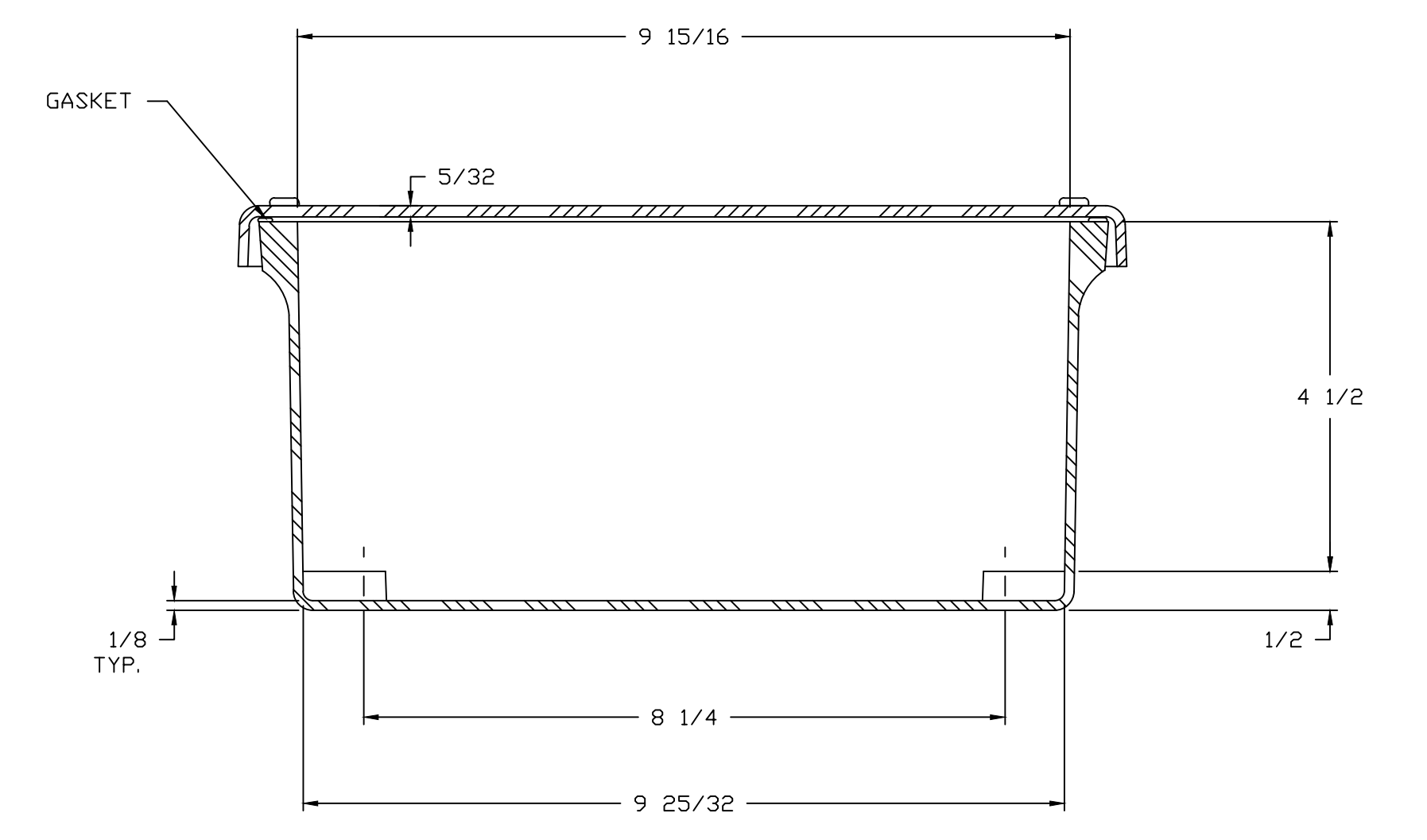
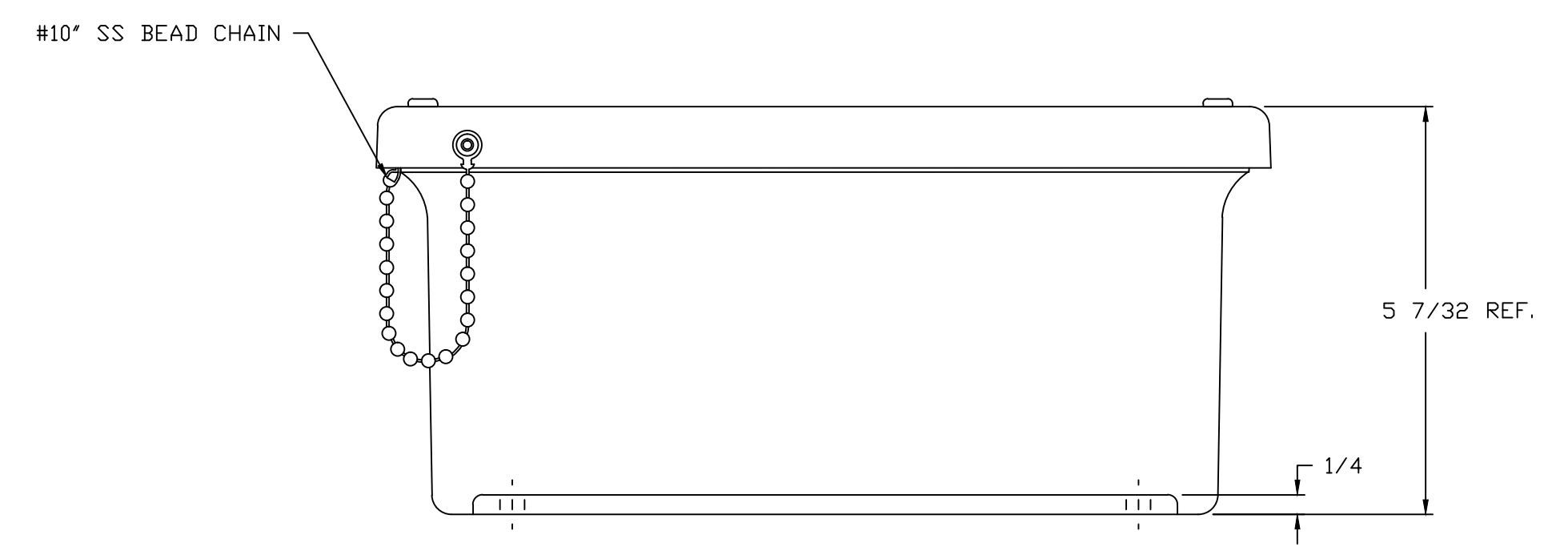


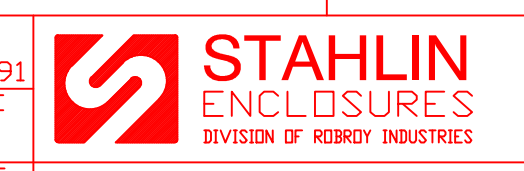
SECTION B-B



SECTION A-A

NOTES:

NEMA 4X		TOLERANCES UNLESS SPECIFIED		DECIMAL $\pm .010$	FRACTIONAL $\pm 1/32$
COLOR GLACIER GRAY RR1013					
MATERIAL	F.R. PLOYESTER FIBERGLASS	DR. BY	SH	DATE	6/3/91
LET.	REVISION RECORD	DATE	BY	CHD.	CHK. BY
					DATE
					APD. BY
					DATE
					CUSTOMER
					AutoCAD DWG. FILE
					J1210W
					SCALE
					DO NOT SCALE
					PART NAME
					ENCLOSURE
					PART NO.
					J1210W



BELDING, MICHIGAN 48809