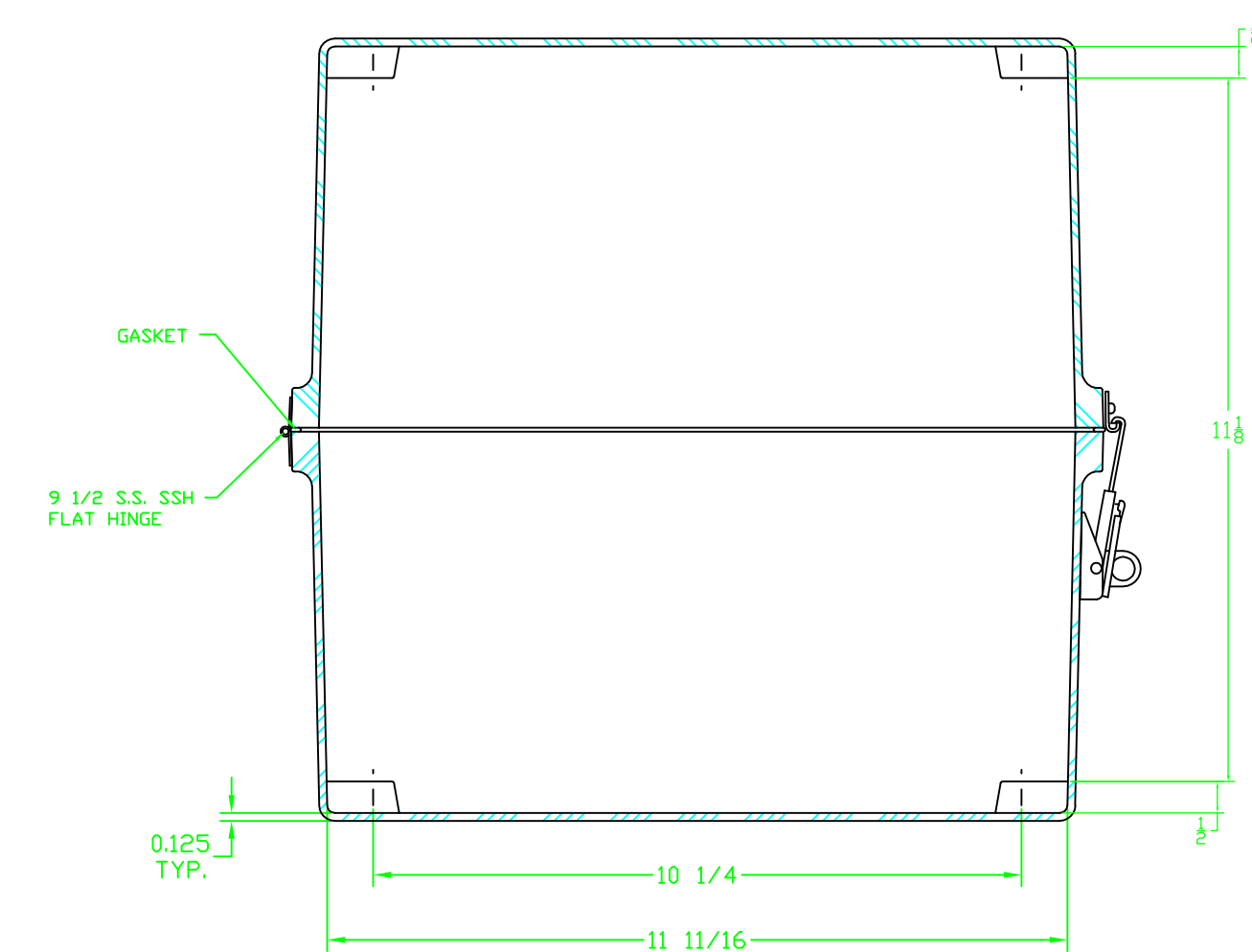
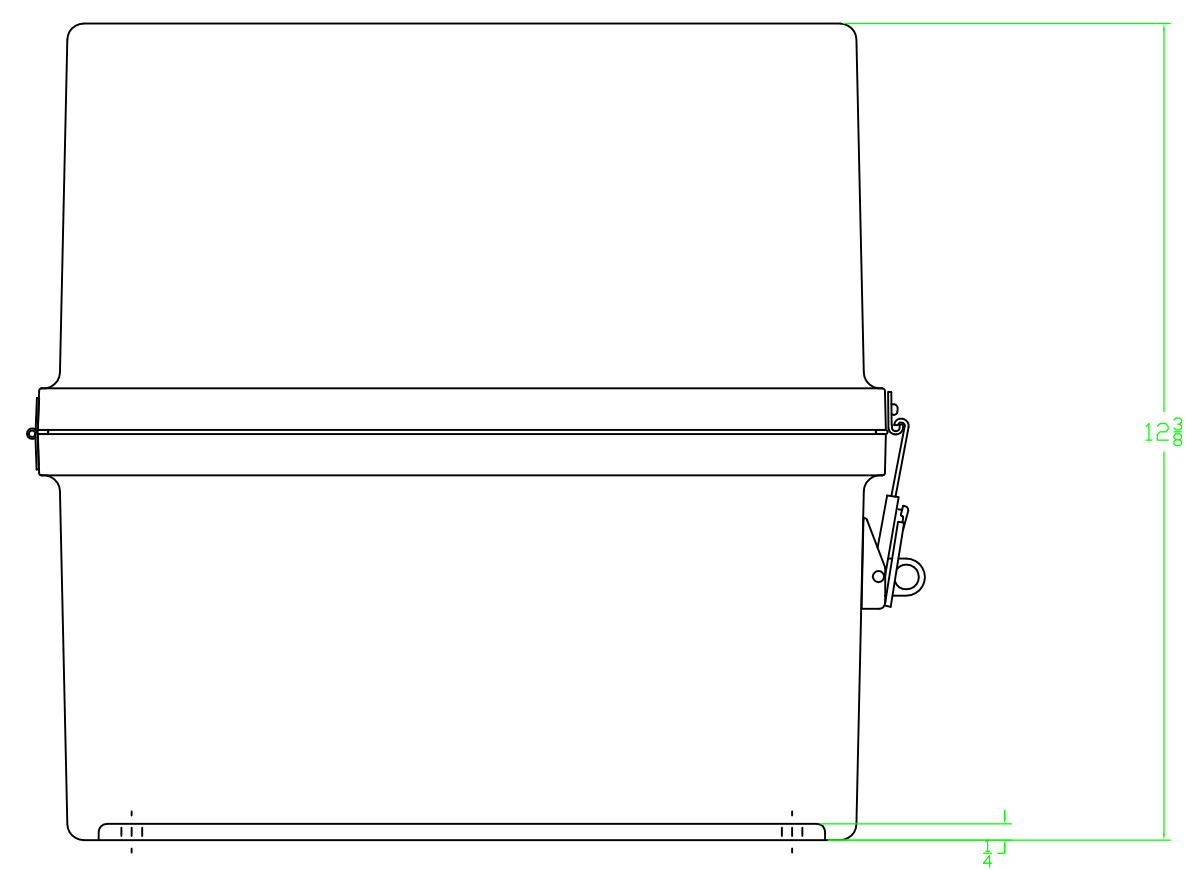



SECTION B-B



SECTION A-A

NOTES:

NEMA 4X		TOLERANCES UNLESS SPECIFIED		DECIMAL ± .010	FRACTIONAL ± 1/32
MATERIAL F.R. POLYESTER FIBERGLASS		DR. BY JDS	DATE 5/19/05	 STAHLIN ENCLOSURES DIVISION OF ROBBY INDUSTRIES	
LET.	REVISION RECORD	DATE	BY		
		APD. BY	DATE	CUSTOMER	
		SCALE DO NOT SCALE		PART NAME ENCLOSURE	PART NO. J121210SSH

AutoCAD DWG FILE J121210SSH

BELDING, MICHIGAN 48809