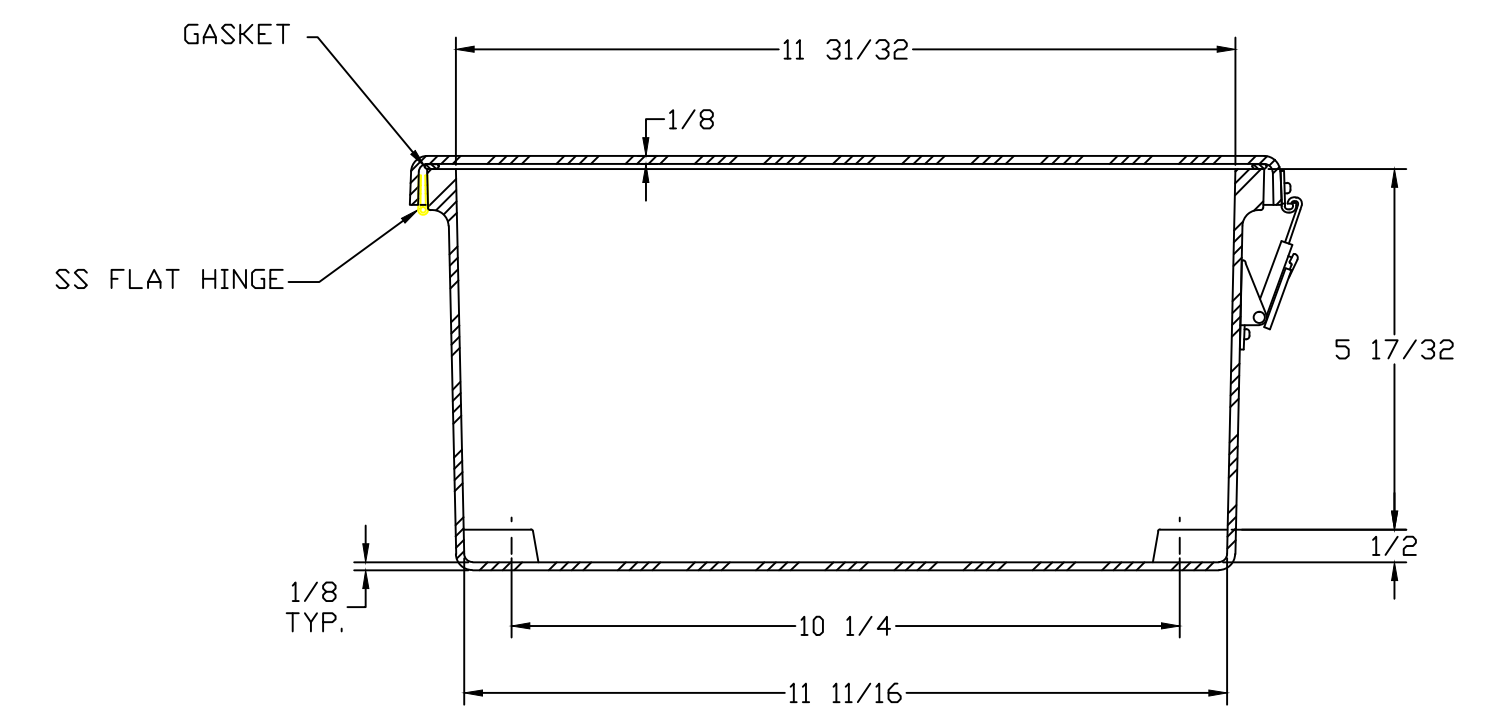
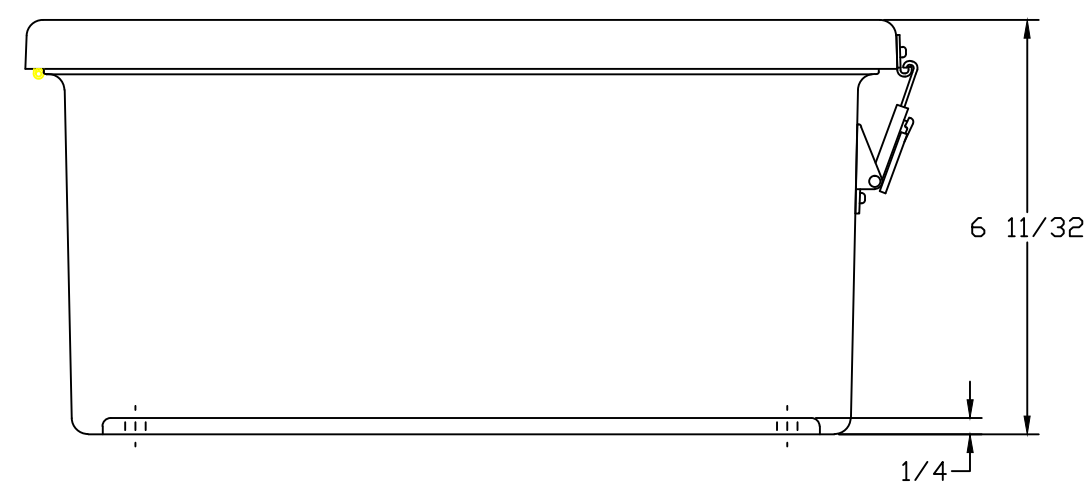



SECTION B-B



SECTION A-A

NOTES:

COLOR: GLACIER GRAY RR3013				TOLERANCES UNLESS SPECIFIED		DECIMAL ± .010	FRACTIONAL ± 1/32
NEMA 1, 3R, 4X, 6P, 12							
MATERIAL		DR. BY	DATE	 BELDING, MICHIGAN 48809 DIVISION OF ROBROY INDUSTRIES			
F.R. POLYESTER FIBERGLASS		ZJB	7/3/04				
LET.	REVISION RECORD	DATE	BY	CHD.	APD. BY	DATE	CUSTOMER
							AutoCAD DWG. FILE
				SCALE	PART NAME		PART NO.
				DO NOT SCALE	ENCLOSURE		J1212HLL