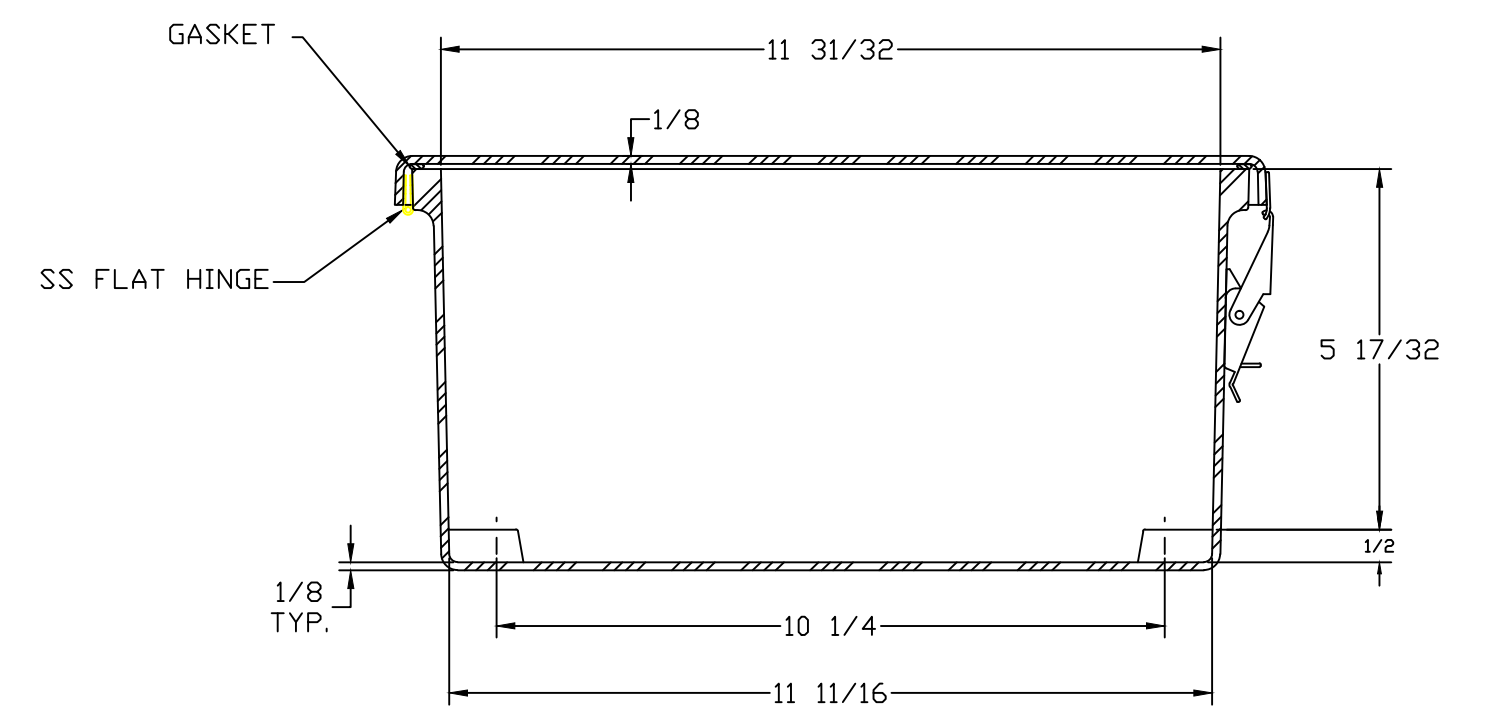
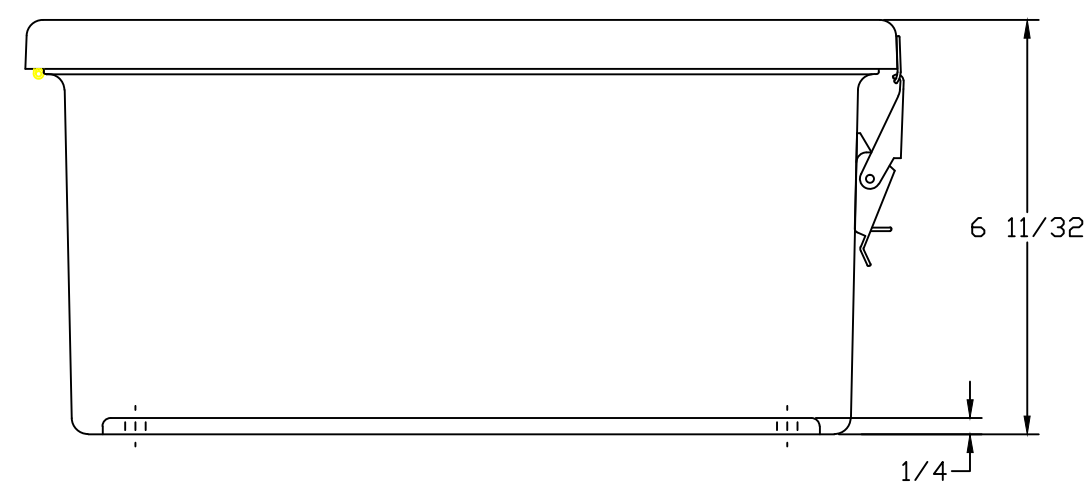



SECTION B-B



SECTION A-A

NOTES:

COLOR: GLACIER GRAY RR3013				TOLERANCES UNLESS SPECIFIED		DECIMAL ± .010	FRACTIONAL ± 1/32
NEMA 1, 3R, 4X, 6P, 12							
MATERIAL F.R. POLYESTER FIBERGLASS				DR. BY ZJB	DATE 7/3/04	 BELDING, MICHIGAN 48809	
REVISION RECORD				CHK. BY	DATE		
LET.	DATE	BY	CHD.	APD. BY	DATE	CUSTOMER	
				SCALE		PART NAME	
				DO NOT SCALE		ENCLOSURE	
						PART NO. J1212HPL	

AutoCAD DWG FILE J1212HPL