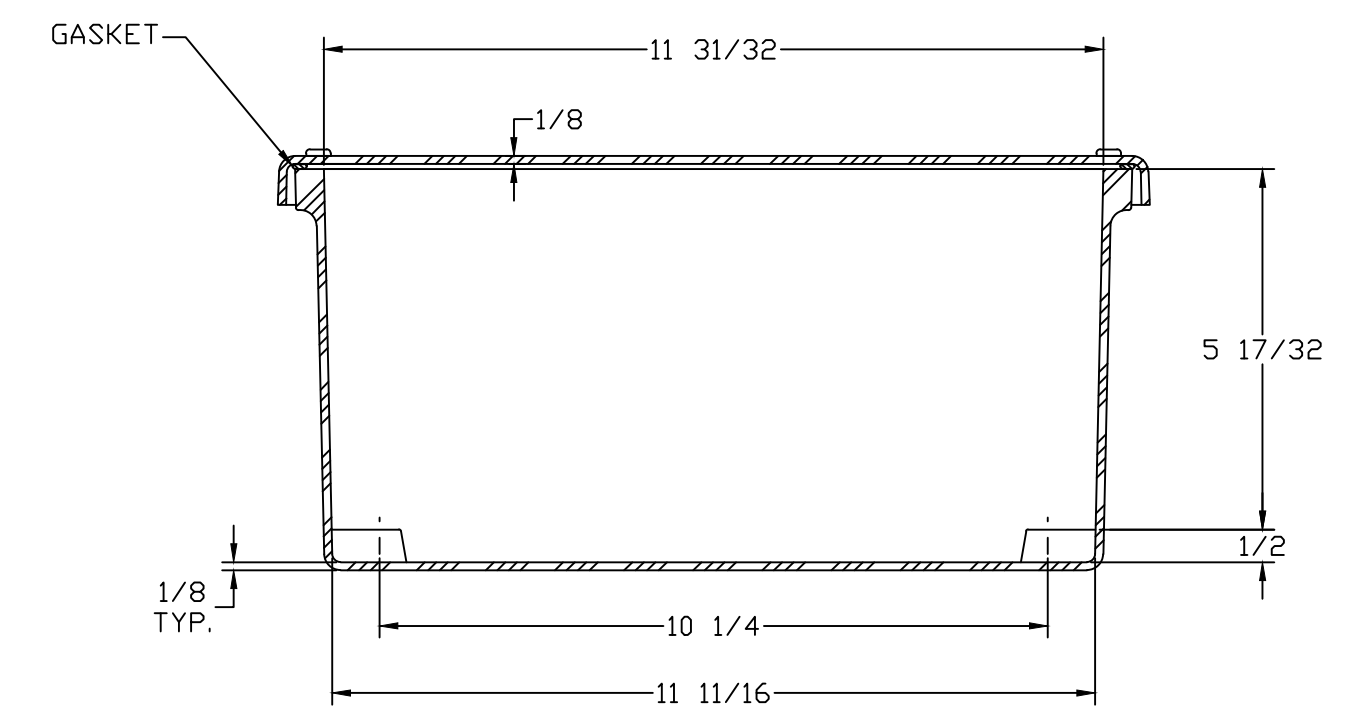
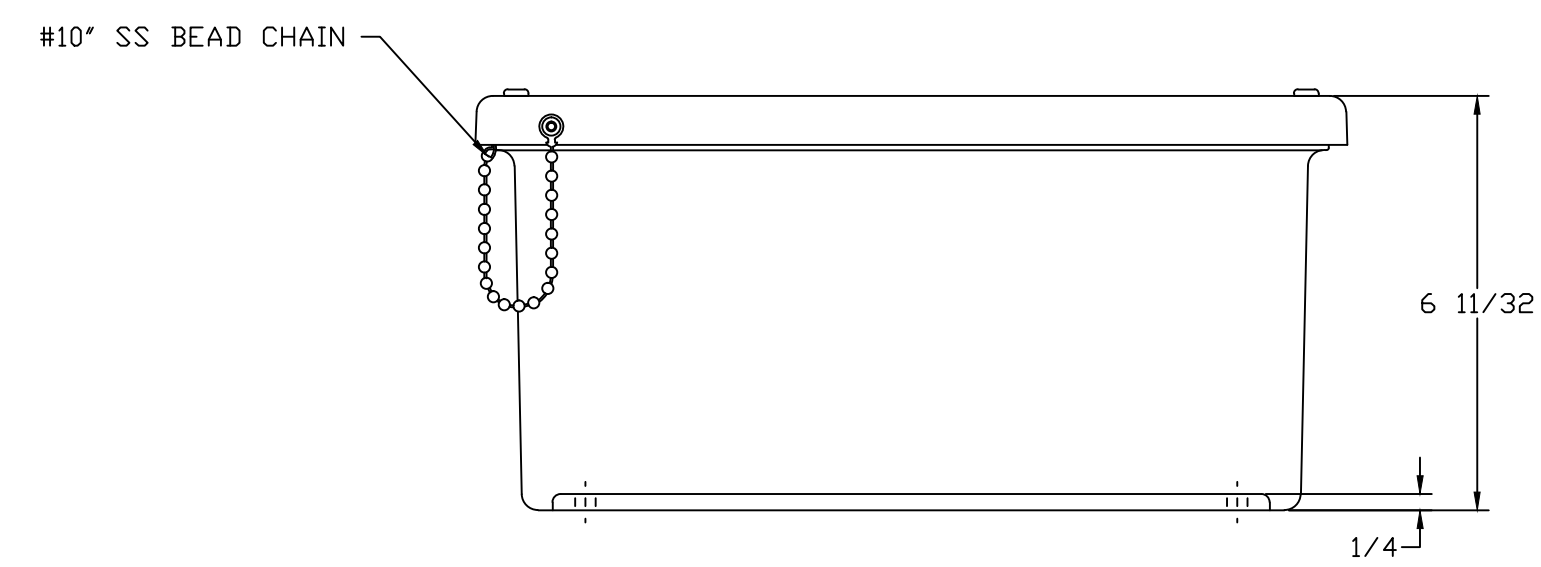



SECTION B-B



SECTION A-A

NOTES:											
COLOR: GLACIER GRAY RR3013								TOLERANCES UNLESS SPECIFIED		DECIMAL ±	FRACTIONAL ±
NEMA 1, 3R, 4X, 6P, 12											
MATERIAL				DR. BY	DATE	ZJB		7/3/04		 BELDING, MICHIGAN 48809	
F.R. POLYESTER FIBERGLASS				CHK. BY	DATE						
LET.	REVISION RECORD	DATE	BY	CHD.	APD. BY	DATE	CUSTOMER		AutoCAD DWG. FILE		
							SCALE		PART NAME		
							DO NOT SCALE		ENCLOSURE		
							PART NO.		J1212W		