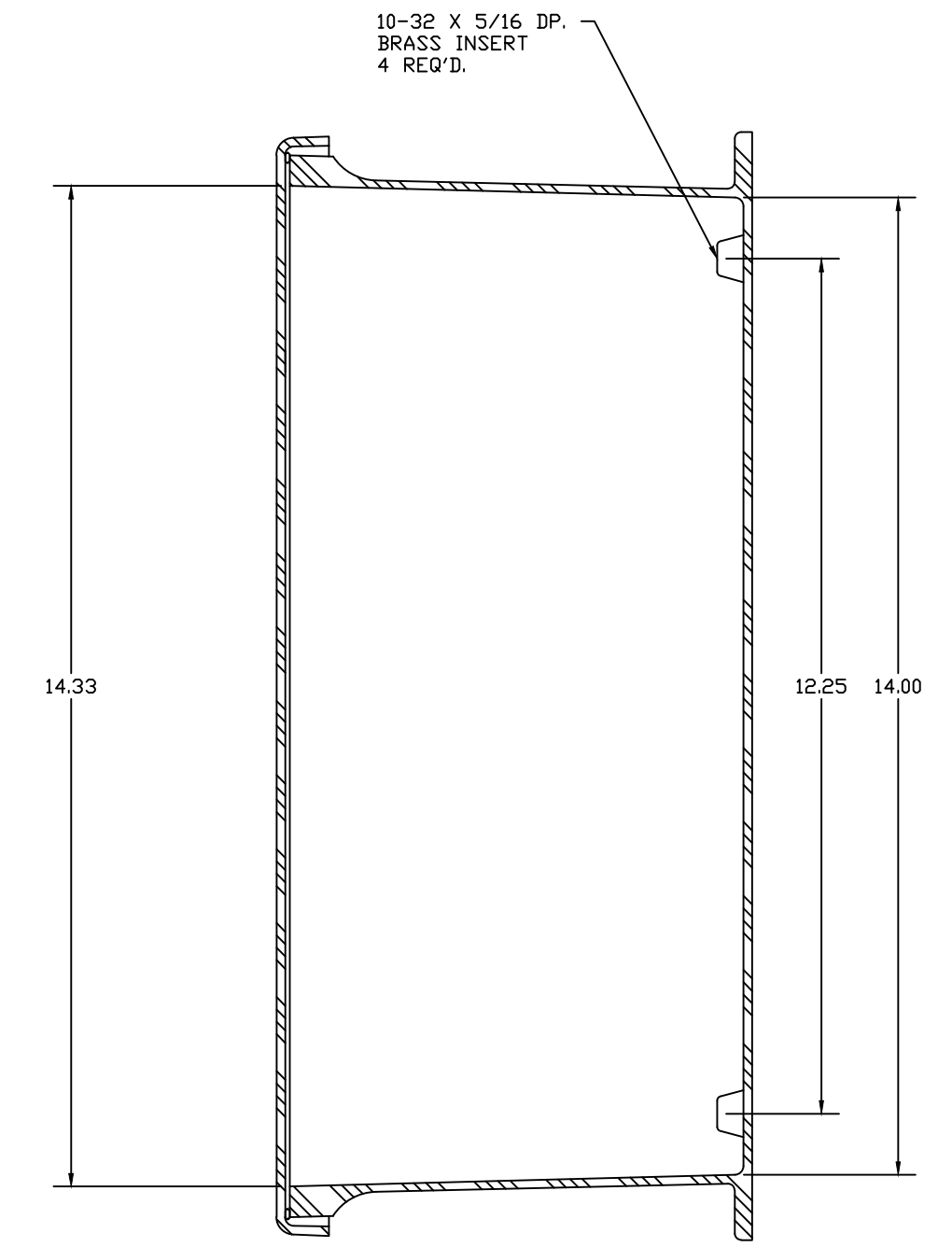
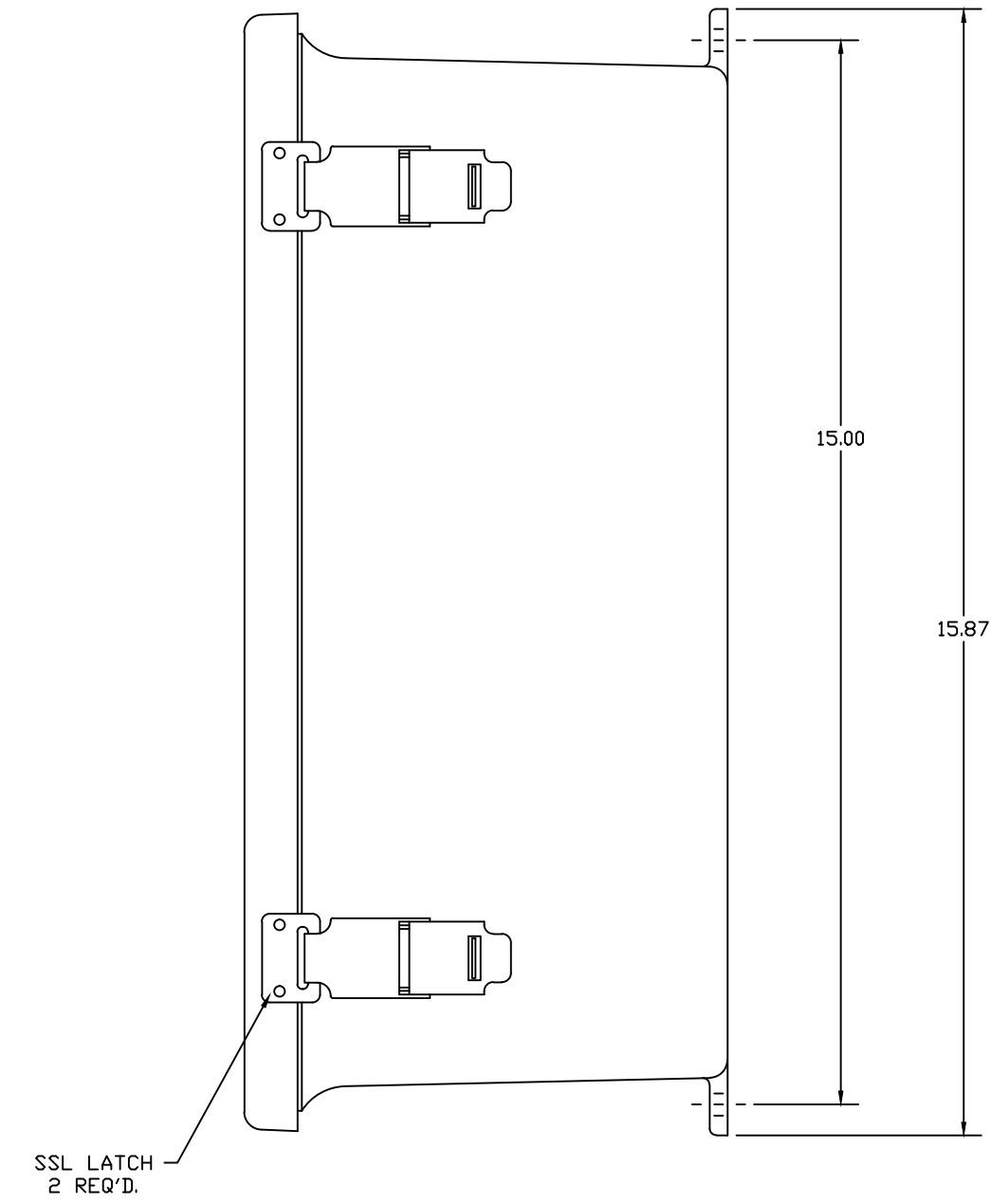
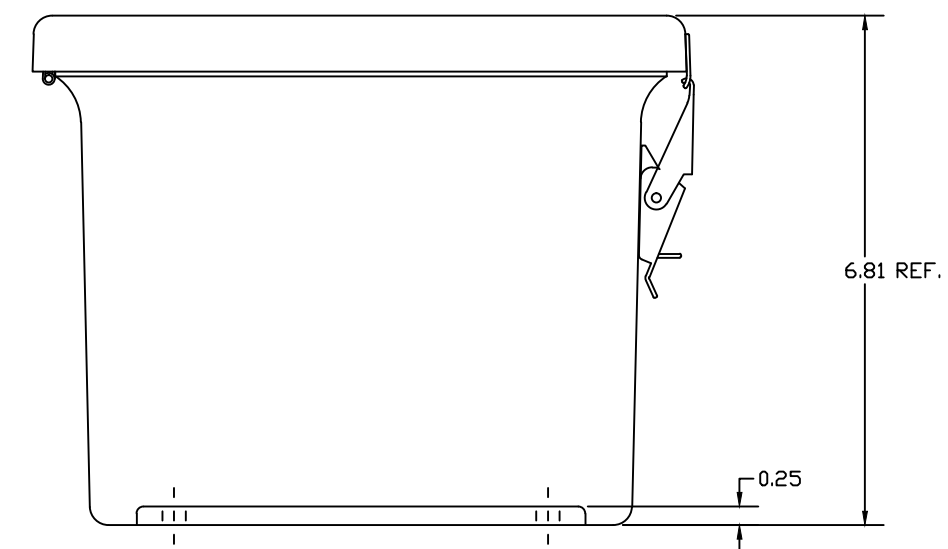
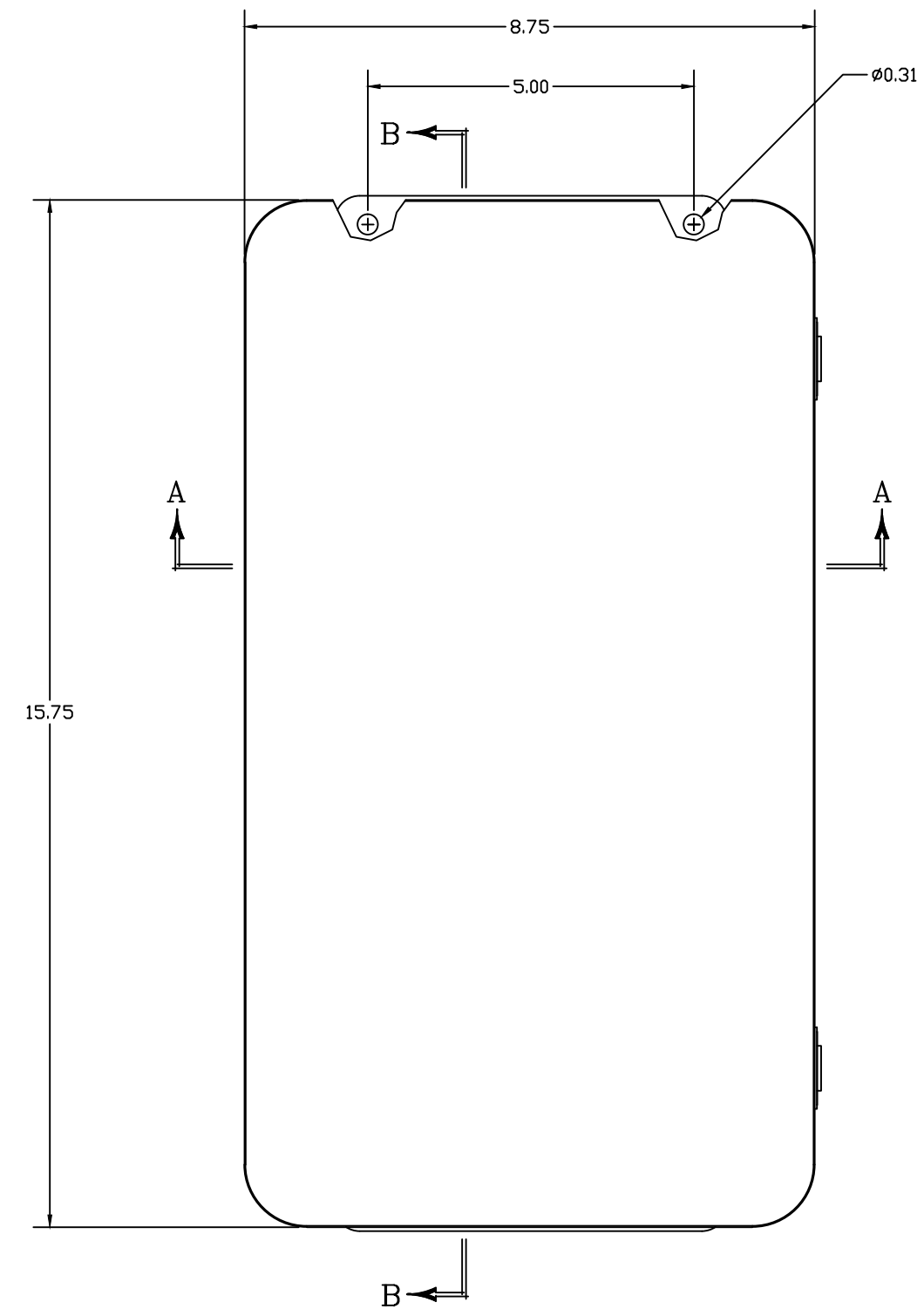
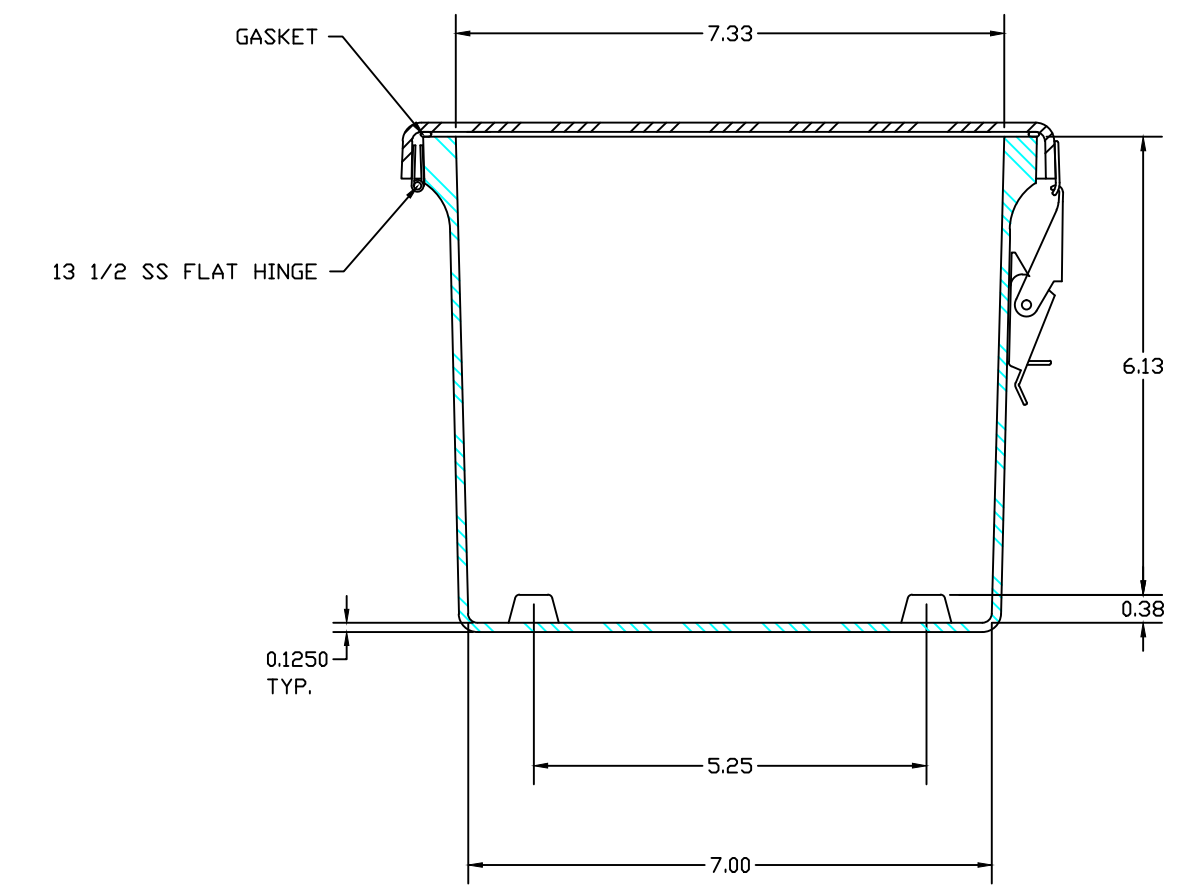


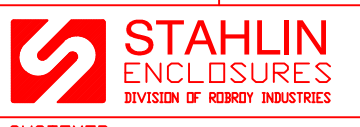
GASKET DETAIL



SECTION B-B



SECTION A-A

NOTES:									
NEMA 4X					TOLERANCES UNLESS SPECIFIED				
COLOR - GLACIER GRAY 3013					DECIMAL ± 0.01		FRACTIONAL ± 1/32		
MATERIAL: F.R. POLYESTER FIBERGLASS				DR. BY DATE		 STAHLIN ENCLOSURES DIVISION OF ROBOBY INDUSTRIES BELDING, MICHIGAN 48809			
REVISION RECORD				APD. BY DATE					
LET.	DATE	BY	CHD.	CHK. BY	DATE	CUSTOMER		AutoCAD DWG. FILE	
						SCALE		PART NAME	
						DO NOT SCALE		ENCLOSURE	
						PART NO.		PART NO.	
								J1407HPL	