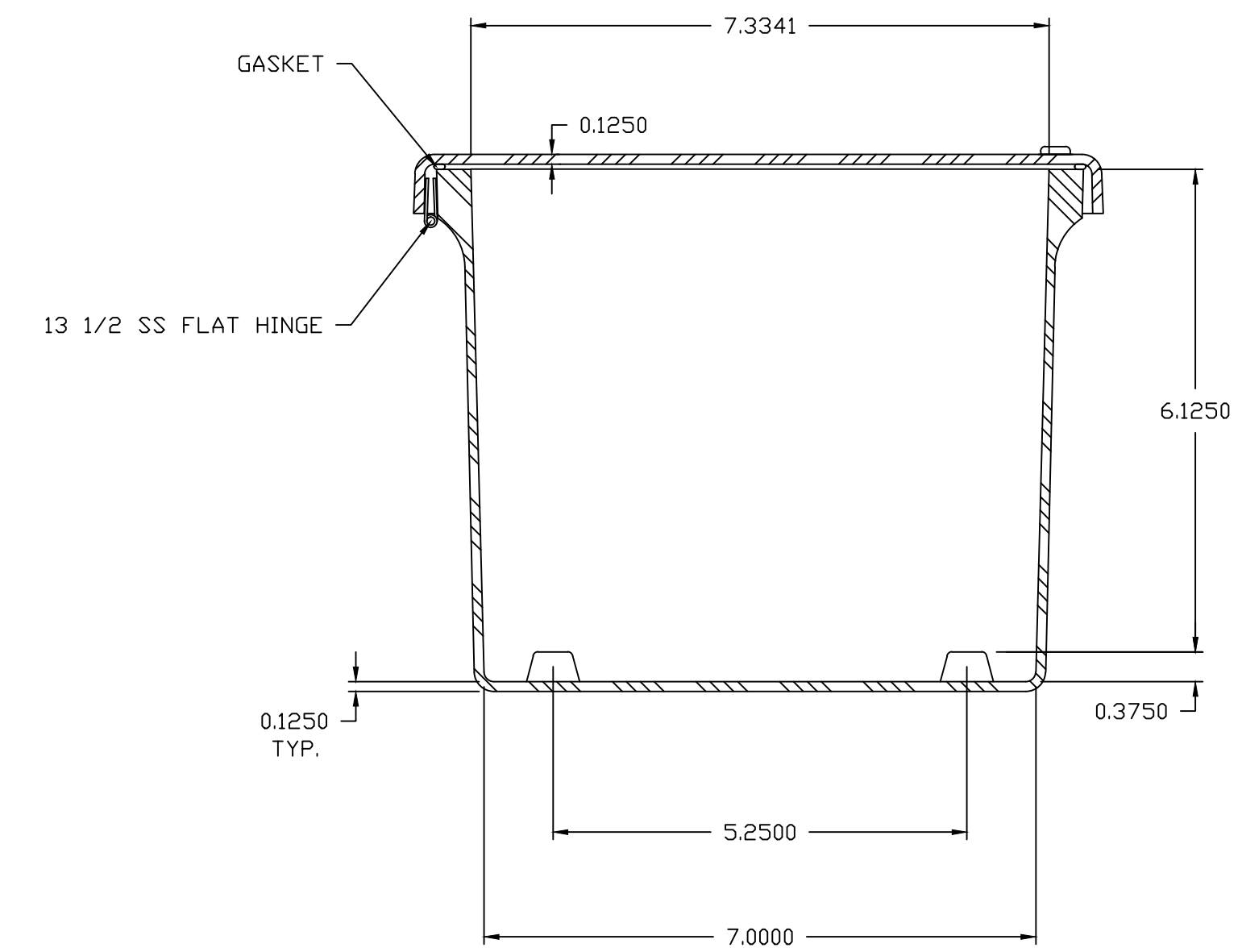
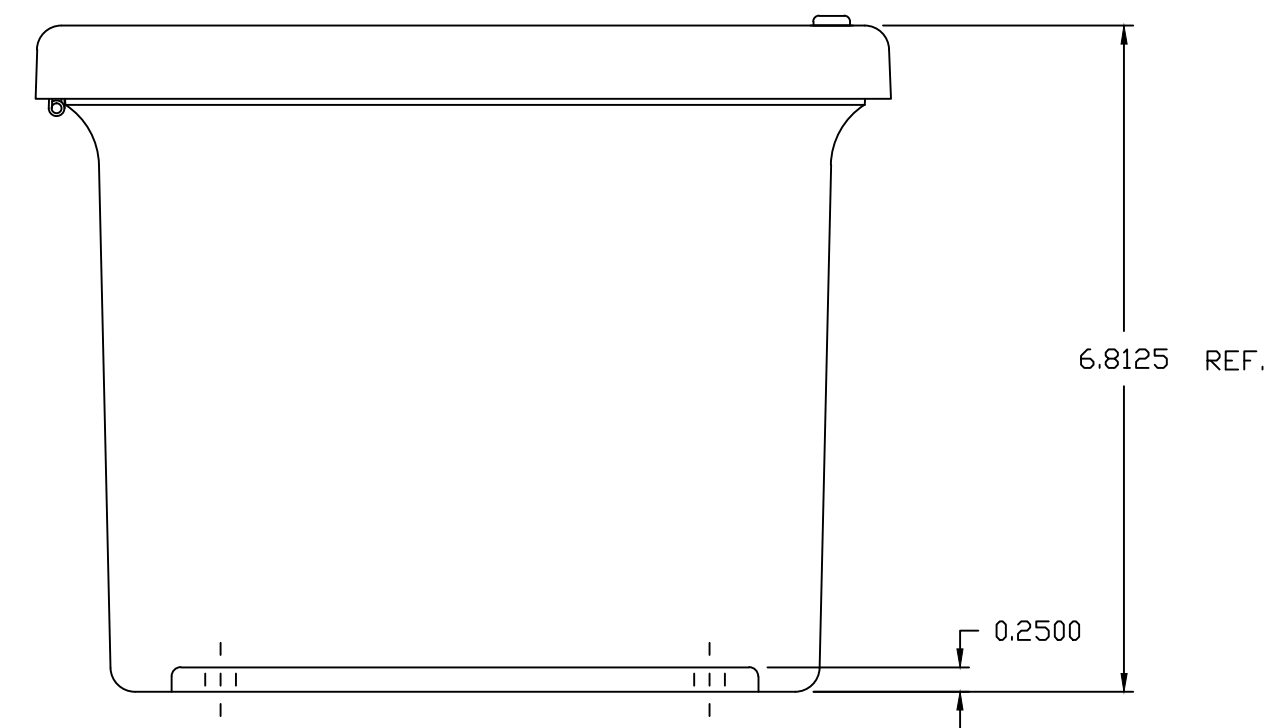



SECTION B-B



SECTION A-A

NOTES:

NEMA 4X		TOLERANCES UNLESS SPECIFIED		DECIMAL ±.010	FRACTIONAL ± 1/32
COLDR GLACIER GRAY RR1013					
MATERIAL	F.R. POLYESTER FIBERGLASS	DR. BY SH	DATE 6/13/91	 BELDING, MICHIGAN 48809	
LET.	REVISION RECORD	DATE	BY		
					APD. BY
					DATE
					CUSTOMER
					AutoCAD DWG. FILE
					J1407HW
					SCALE DO NOT SCALE
					PART NAME ENCLOSURE
					PART NO. J1407HW