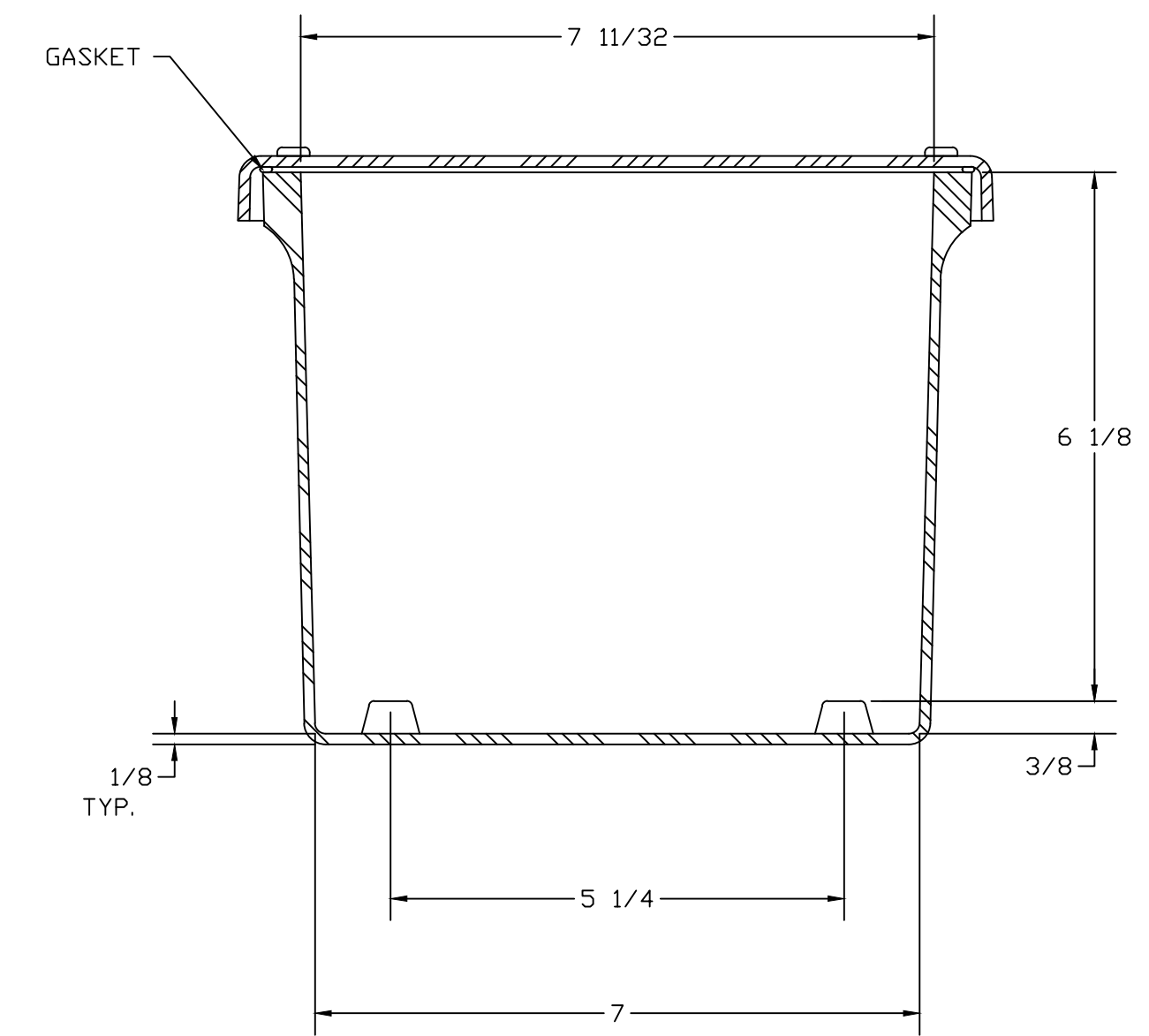
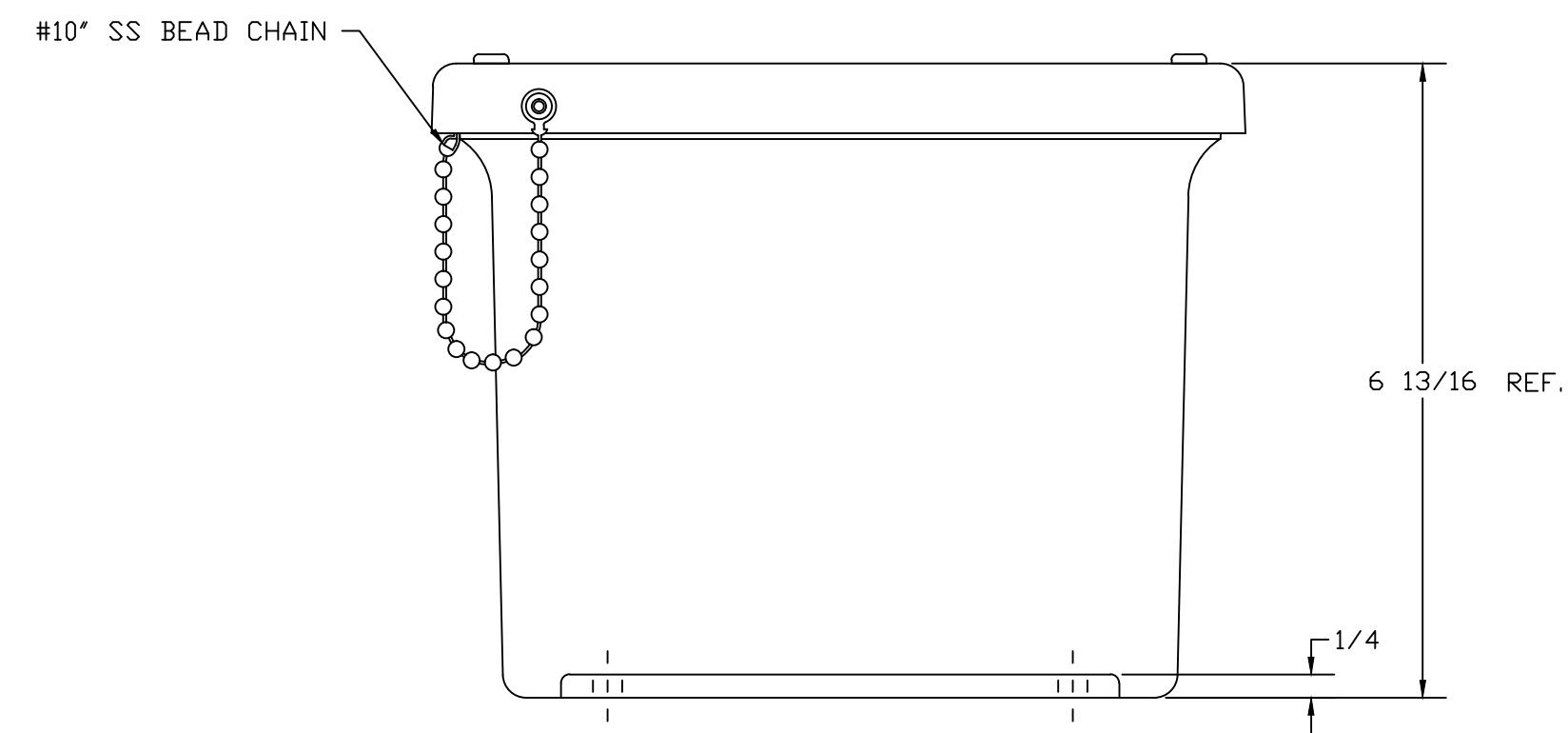



SECTION B-B



SECTION A-A

NOTES:										
NEMA 4X					TOLERANCES UNLESS SPECIFIED		DECIMAL $\pm .010$	FRACTIONAL $\pm 1/32$		
COLOR: GLACIER GRAY RR1013										
MATERIAL		DR. BY		DATE		 BELDING, MICHIGAN 48809		AutoCAD DWG. FILE J1407W		
F.R. POLYESTER FIBERGLASS		SH		6/04/91						
REVISION RECORD		DATE		BY		APD. BY		DATE		
						CUSTOMER				
						SCALE		PART NAME		
						DO NOT SCALE		ENCLOSURE		
						PART NO.		J1407W		