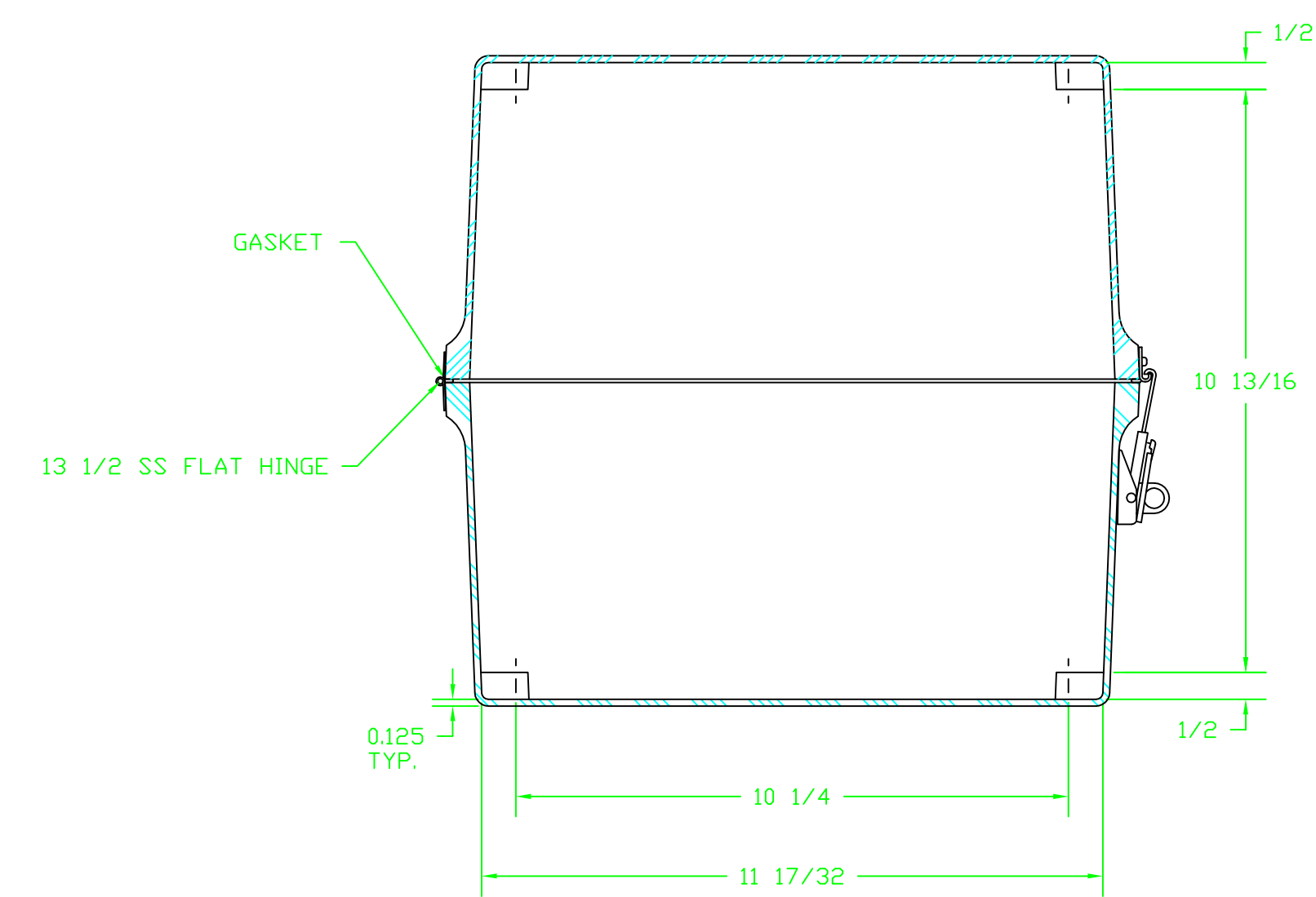
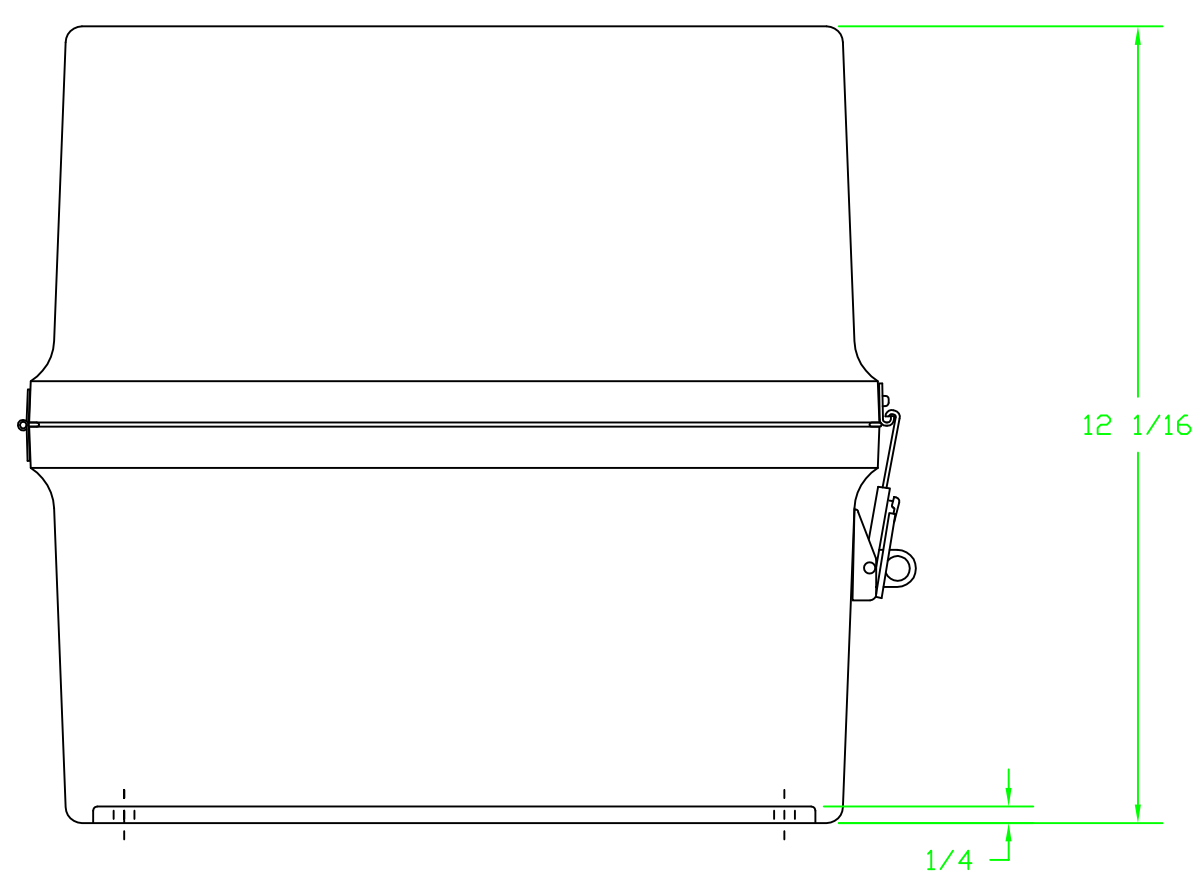


SECTION B-B



SECTION A-A

NOTES:

NEMA 4X		TOLERANCES UNLESS SPECIFIED		DECIMAL ± .010	FRACTIONAL ± 1/32
MATERIAL COLOR GLACIER GRAY RR1013					
DR. BY SH		DATE			
CHK. BY		DATE			
APD. BY		DATE		CUSTOMER	
SCALE DO NOT SCALE		PART NAME ENCLOSURE		PART NO. J141212SSH	

AutoCAD DWG FILE J141212SSH

BELDING, MICHIGAN 48809