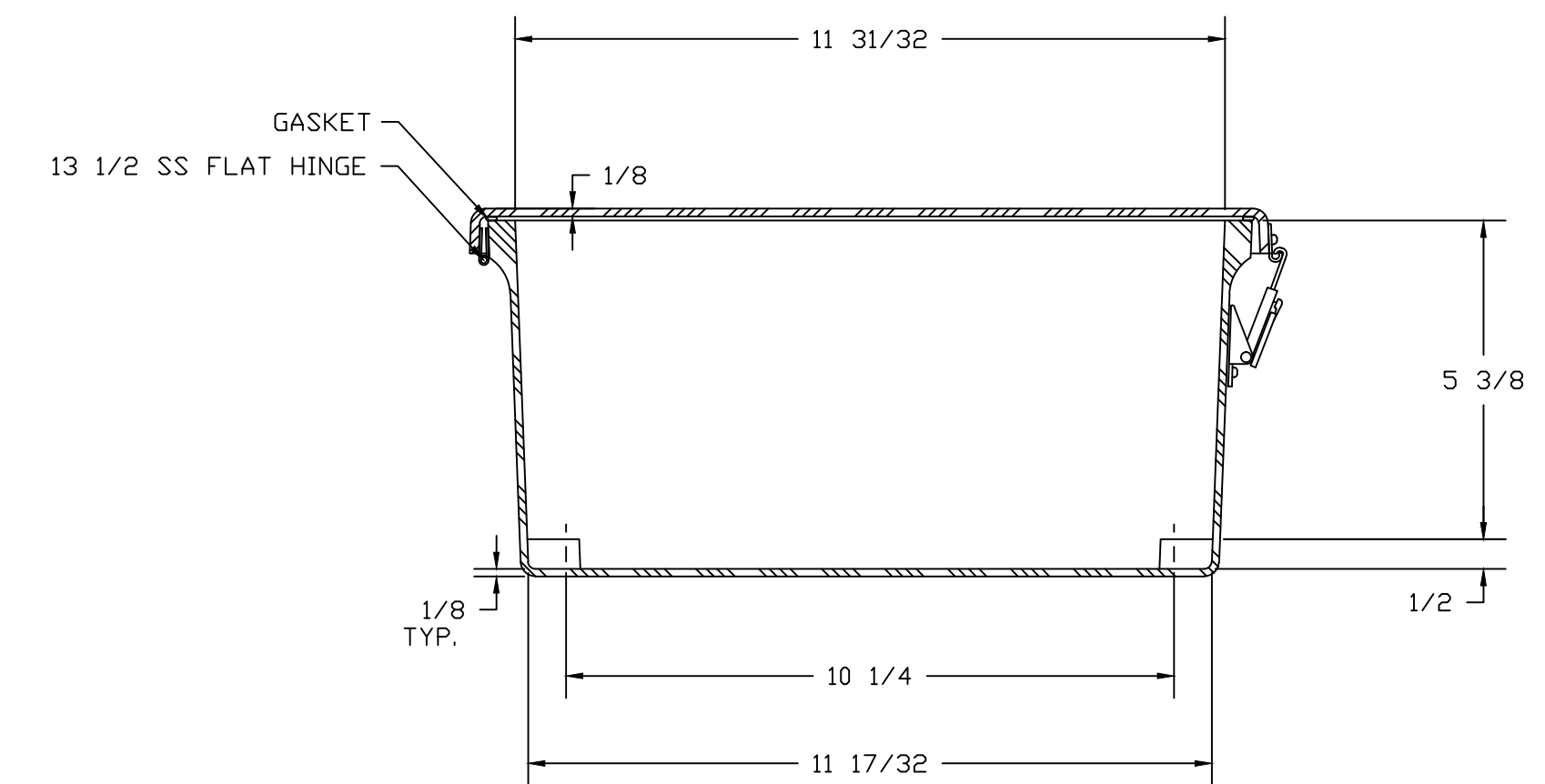
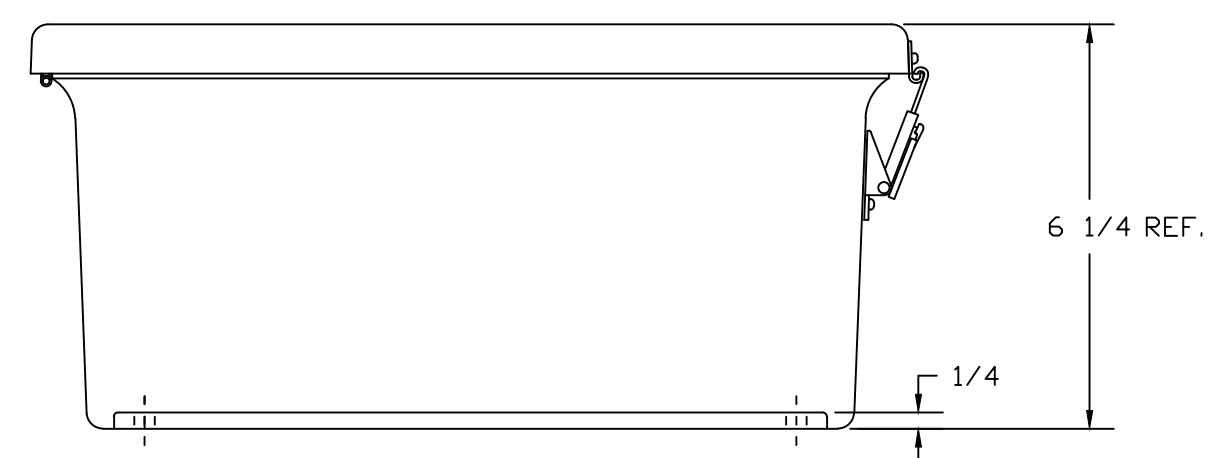



SECTION B-B



SECTION A-A

NOTES:

| | | | | | |
|---------------------------|---------------------------|-----------------------------|----|----------------|-------------------|
| NEMA 4X | | TOLERANCES UNLESS SPECIFIED | | DECIMAL ± .010 | FRACTIONAL ± 1/32 |
| COLOR GLACIER GRAY RR1013 | | | | | |
| MATERIAL | F.R. POLYESTER FIBERGLASS | DR. BY | SH | DATE | 4/17/91 |
| LET. | REVISION RECORD | DATE | BY | CHK. BY | DATE |
| | | | | APD. BY | DATE |
| | | SCALE | | PART NAME | PART NO. |
| | | DO NOT SCALE | | ENCLOSURE | J1412HLL |



STAHLIN
ENCLOSURES
DIVISION OF ROBROY INDUSTRIES

BELDING, MICHIGAN 48809

AutoCAD DWG. FILE J1412HLL