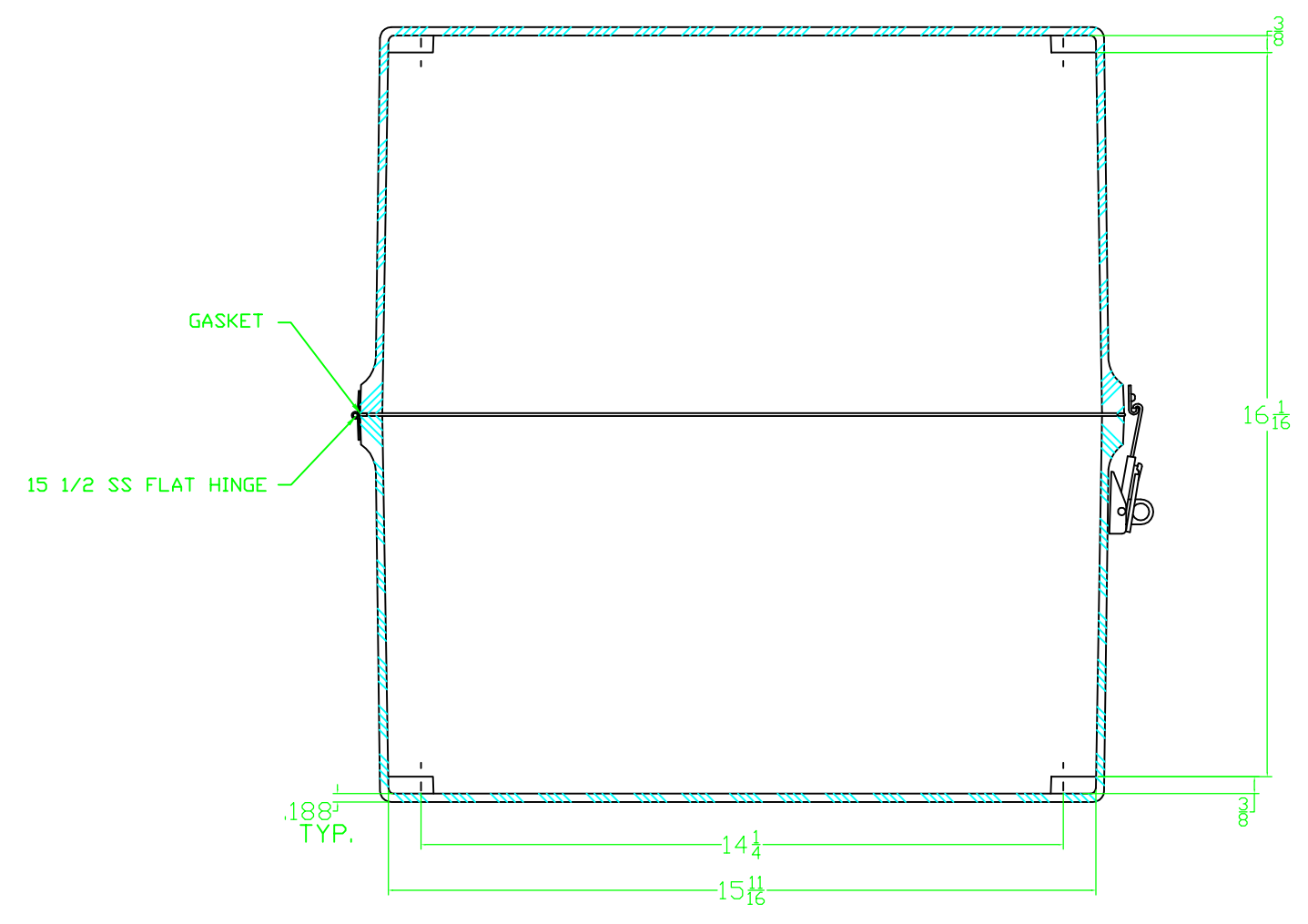
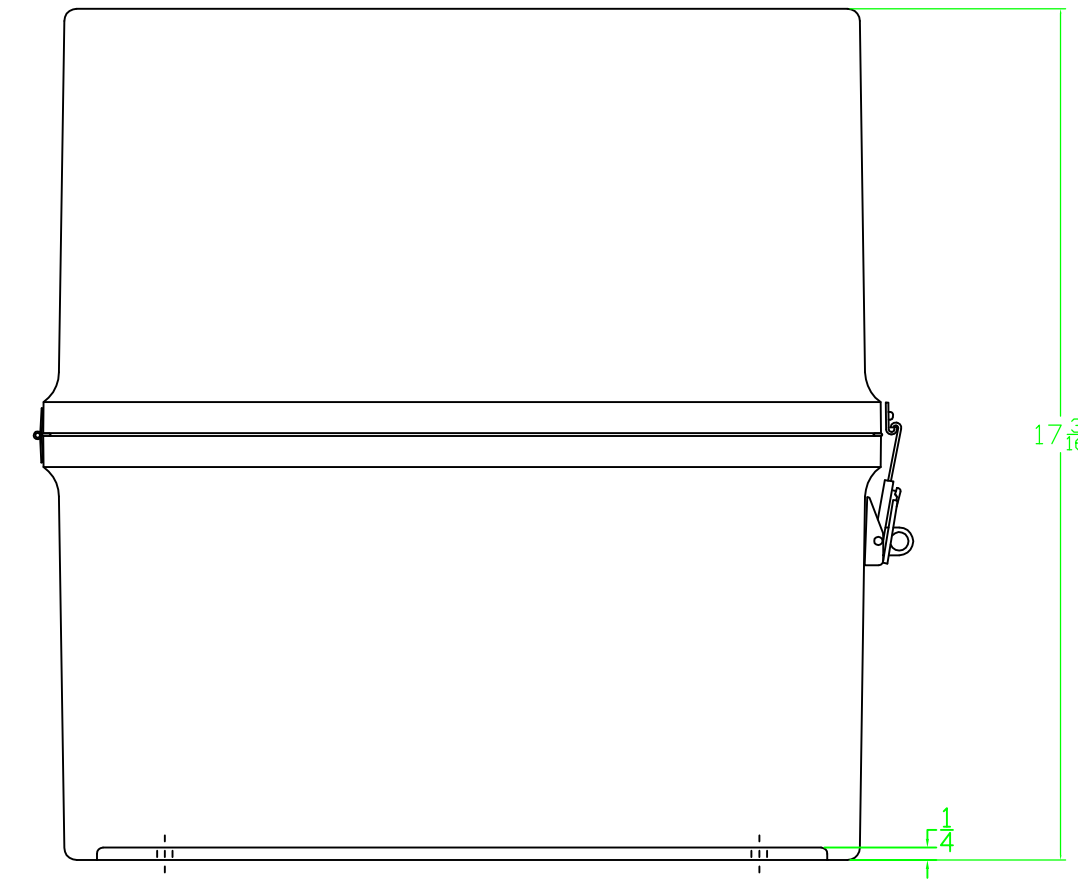


SECTION B-B



SECTION A-A

NOTES:

NEMA 4X		TOLERANCES UNLESS SPECIFIED		DECIMAL ±	FRACTIONAL ±
COLOR: GLACIER GRAY RR1013					
MATERIAL F.R. POLYESTER FIBERGLASS		DR. BY JDS	DATE 5/17/05		
LET.	REVISION RECORD	DATE	BY		
					BELDING, MICHIGAN 48809 AutoCAD DWG FILE J181617SSH
					CUSTOMER
					SCALE DO NOT SCALE
					PART NAME ENCLOSURE
					PART NO. J181617SSH