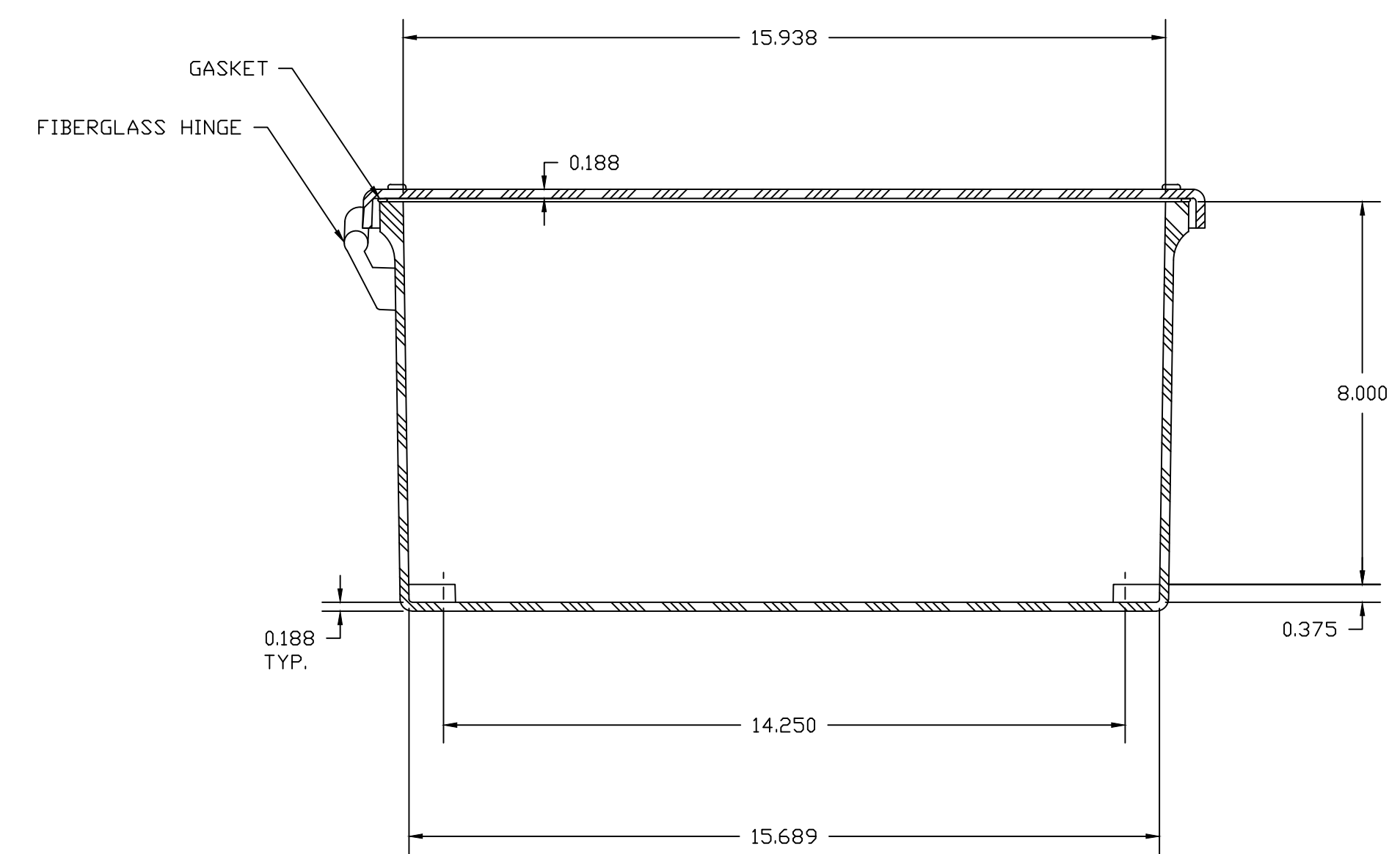
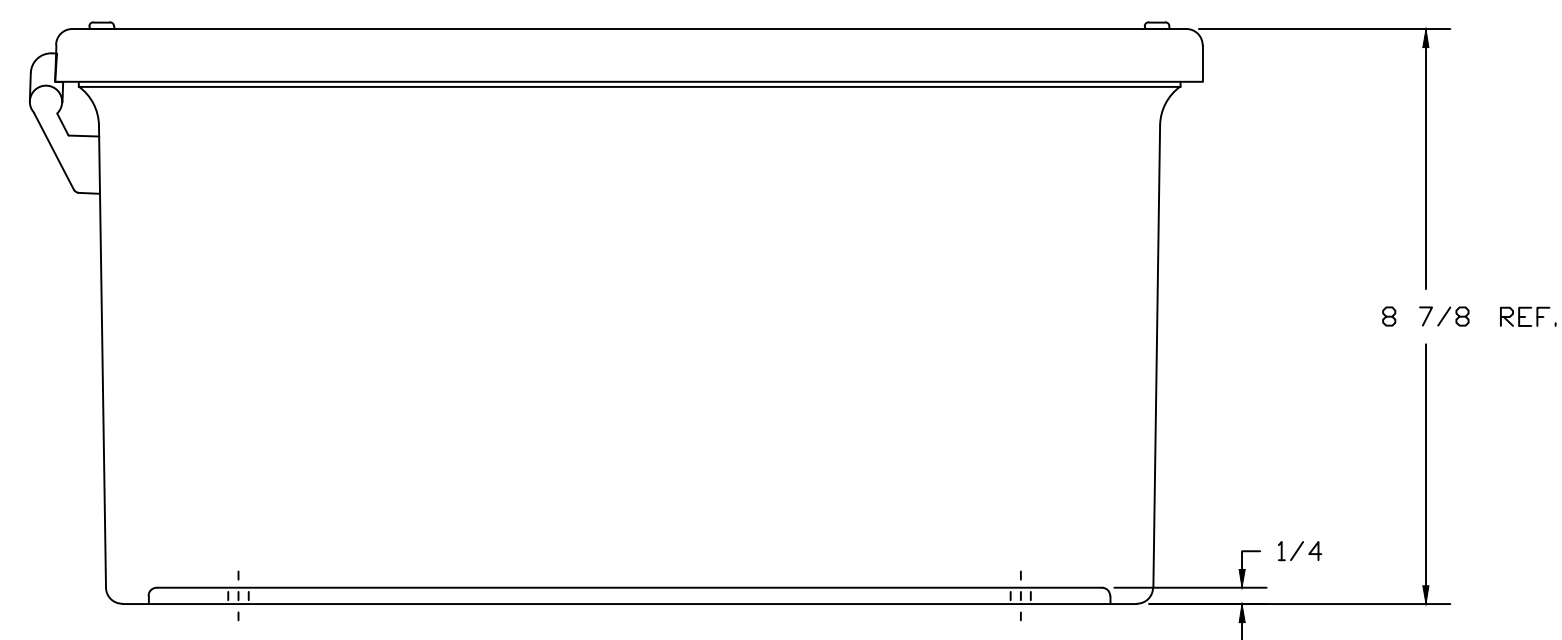



SECTION B-B



SECTION A-A

MATERIAL		DR. BY		DATE		TOLERANCES		DECIMAL		FRACTIONAL		
F.R. POLYESTER FIBERGLASS		SH		5/6/91		UNLESS SPECIFIED		± .010		± 1/32		
LET.	REVISION RECORD	DATE	BY	CHD.	CHK. BY	DATE	 STAHLIN ENCLOSURES DIVISION OF ROBROY INDUSTRIES					BELDING, MICHIGAN 48809
					APD. BY	DATE						CUSTOMER
SCALE		PART NAME		PART NO.								
DO NOT SCALE		ENCLOSURE		J1816FHW								

NOTES:

NEMA 4X						COLOR GLACIER GRAY RR1013					
MATERIAL						MATERIAL					
F.R. POLYESTER FIBERGLASS						F.R. POLYESTER FIBERGLASS					
REVISION RECORD						REVISION RECORD					
DATE						DATE					
BY						BY					
CHD.						CHD.					
APD. BY						APD. BY					
DATE						DATE					
SCALE						SCALE					
DO NOT SCALE						DO NOT SCALE					