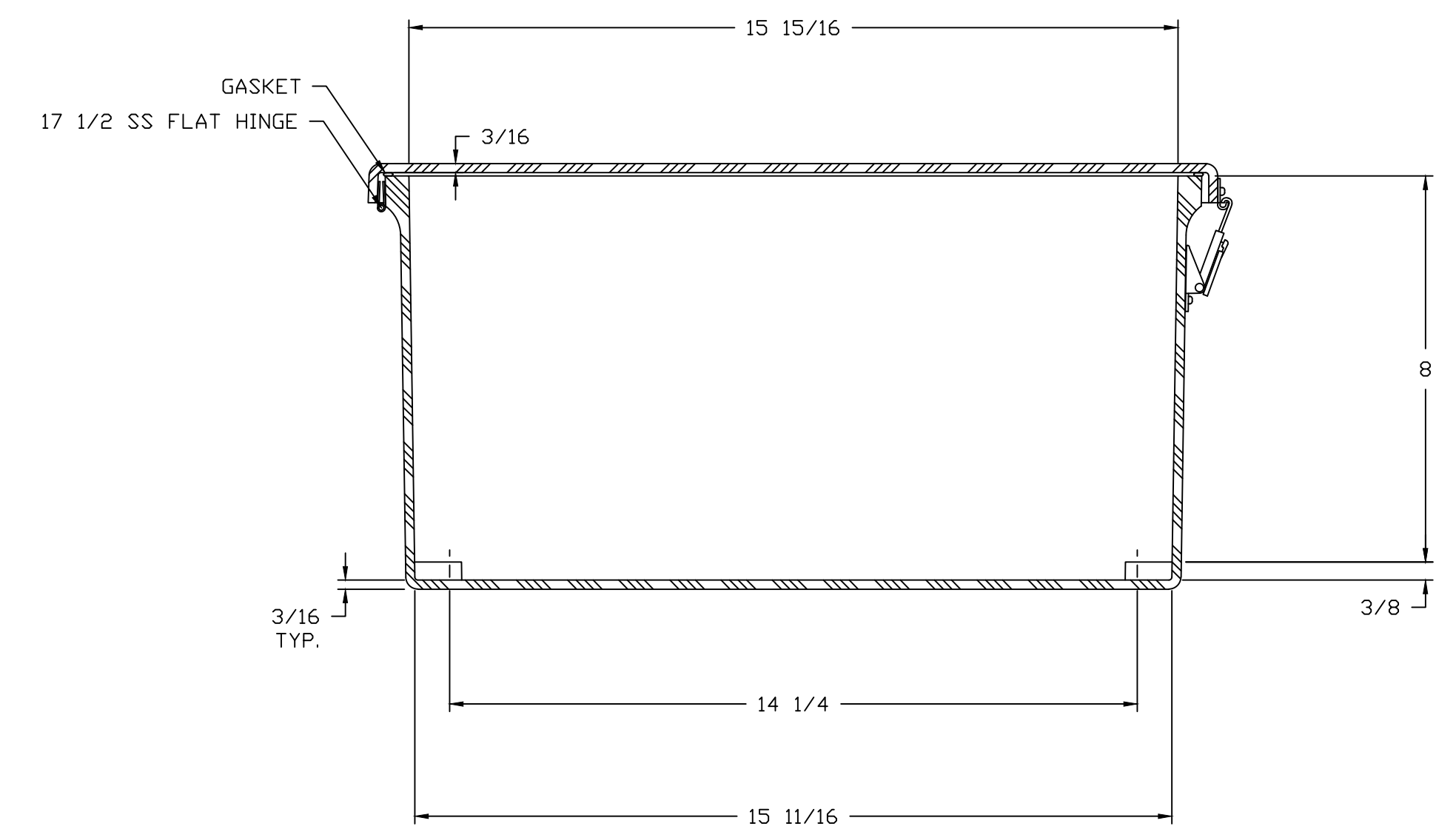
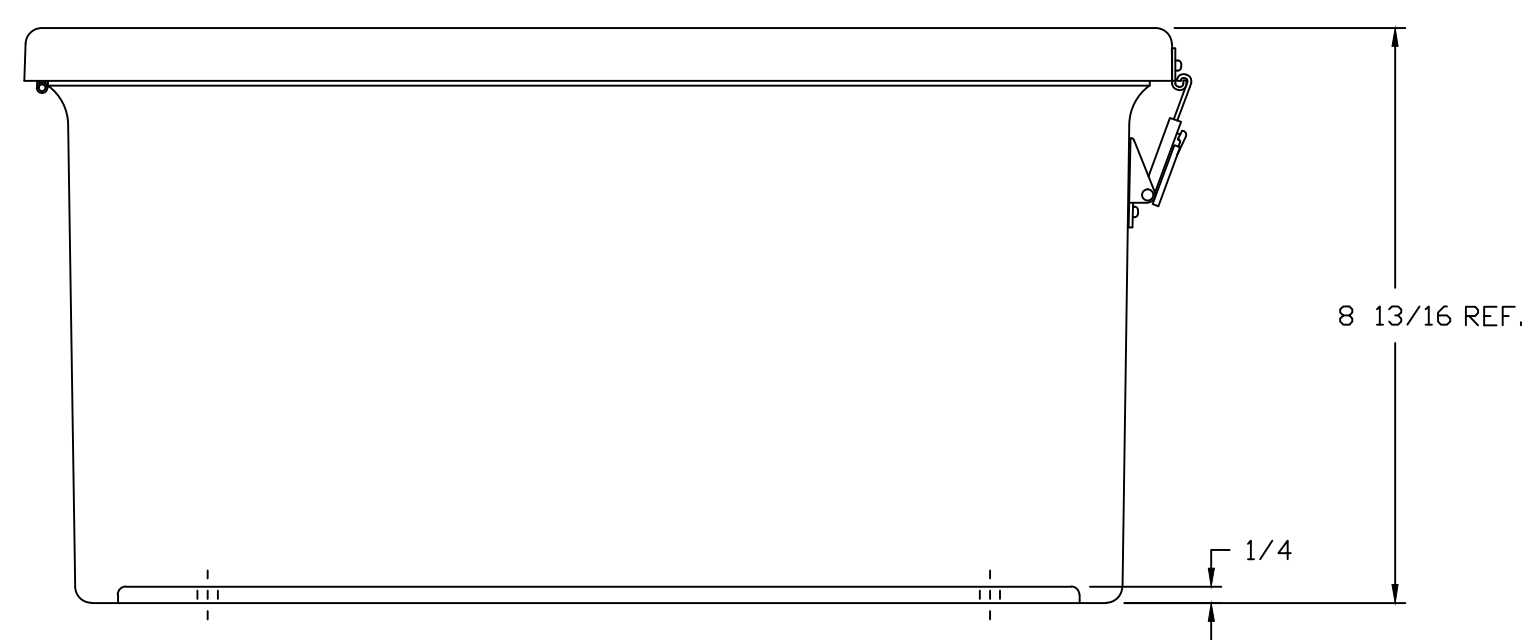



SECTION B-B



SECTION A-A

NEMA 4X		TOLERANCES UNLESS SPECIFIED		DECIMAL ± .010	FRACTIONAL ± 1/32
COLD GLACIER GRAY RR1013					
MATERIAL	F.R. POLYESTER FIBERGLASS	DR. BY SH	DATE 5/3/91	 BELDING, MICHIGAN 48809	
LET.	REVISION RECORD	DATE	BY		
					APD. BY DATE
					CUSTOMER
					AutoCAD DWG. FILE J1816HLL
					SCALE DO NOT SCALE
					PART NAME ENCLOSURE
					PART NO. J1816HLL