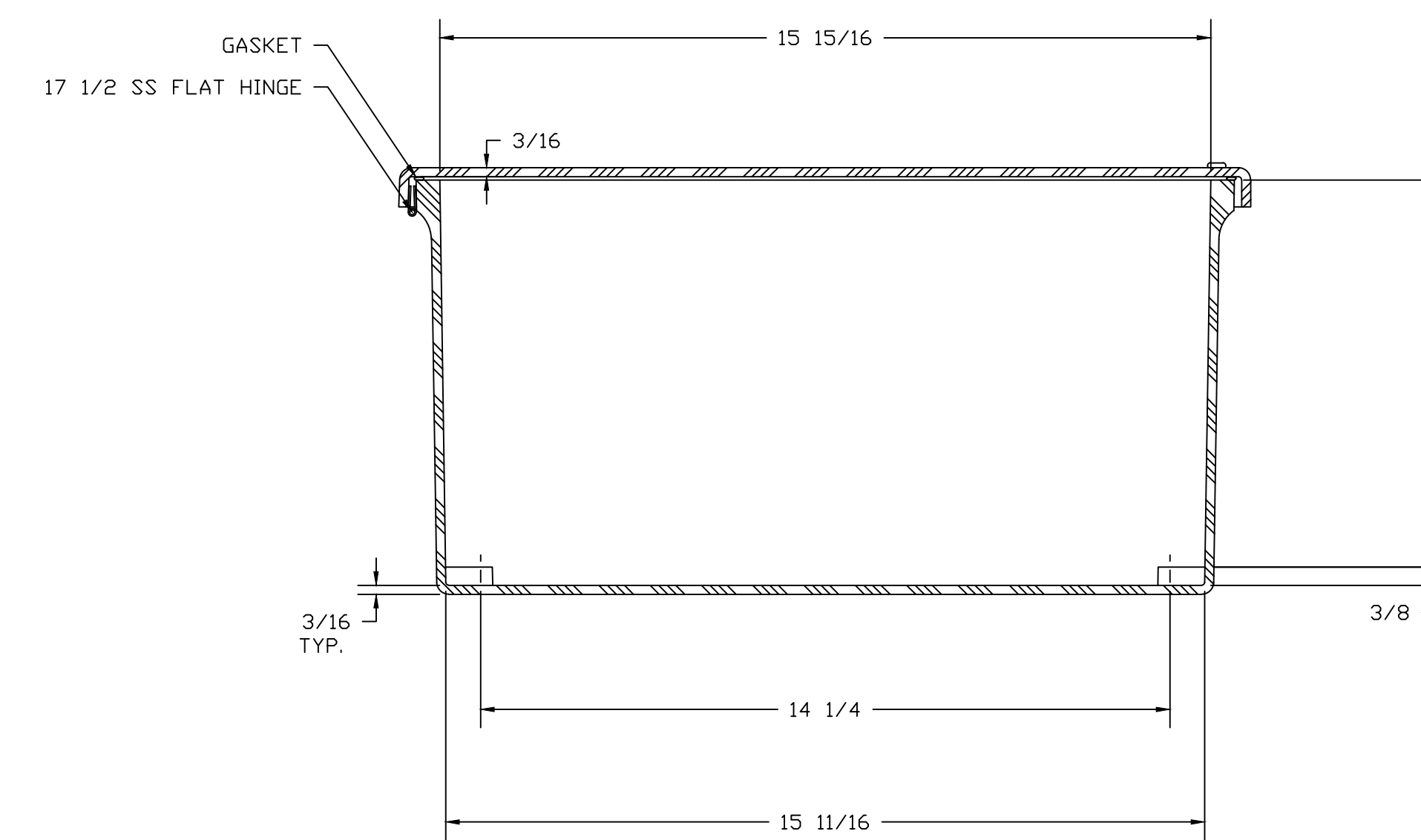
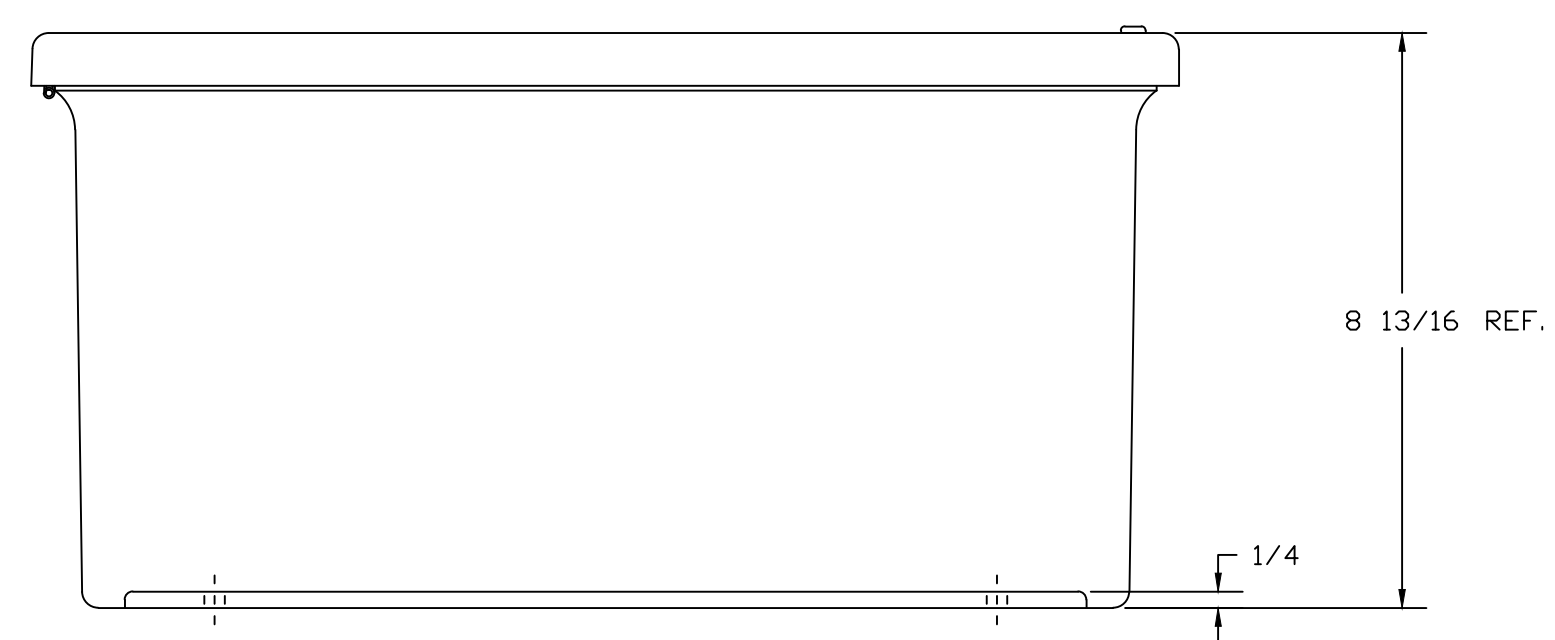



SECTION B-B



SECTION A-A

NOTES:

NEMA 4X		TOLERANCES UNLESS SPECIFIED		DECIMAL ± .010	FRACTIONAL ± 1/32
COLOR GLACIER GRAY RR1013					
MATERIAL	F.R. POLYESTER FIBERGLASS	DR. BY	GF	DATE	5/3/91
LET.	REVISION RECORD	DATE	BY	CHK. BY	CHD.
				APD. BY	DATE
SCALE		PART NAME		PART NO.	
DO NOT SCALE		ENCLOSURE		J1816HW	



STAHLIN  
ENCLOSURES  
DIVISION OF ROBROY INDUSTRIES

BELDING, MICHIGAN  
48809

AutoCAD DWG. FILE  
J1816HW