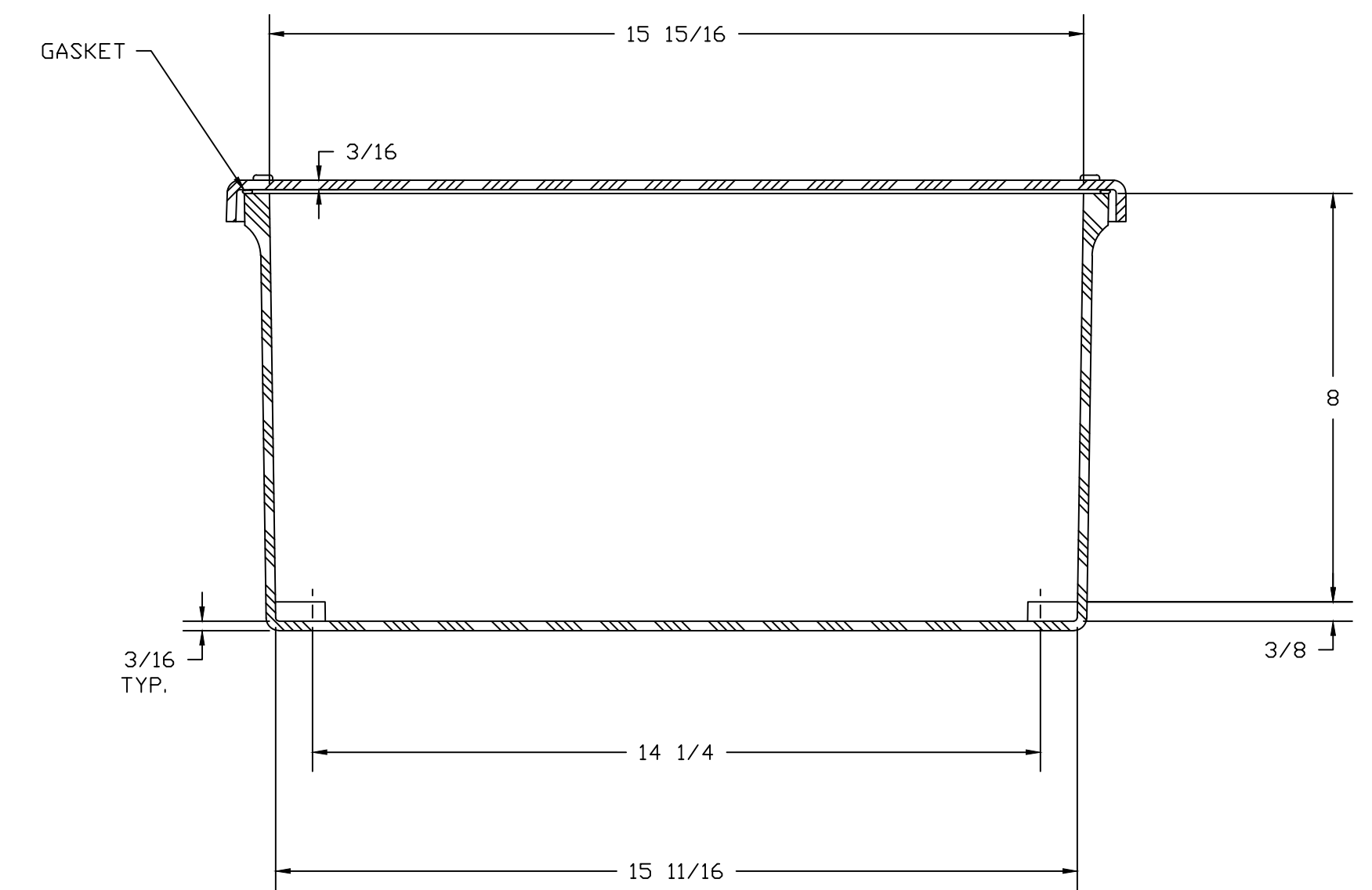
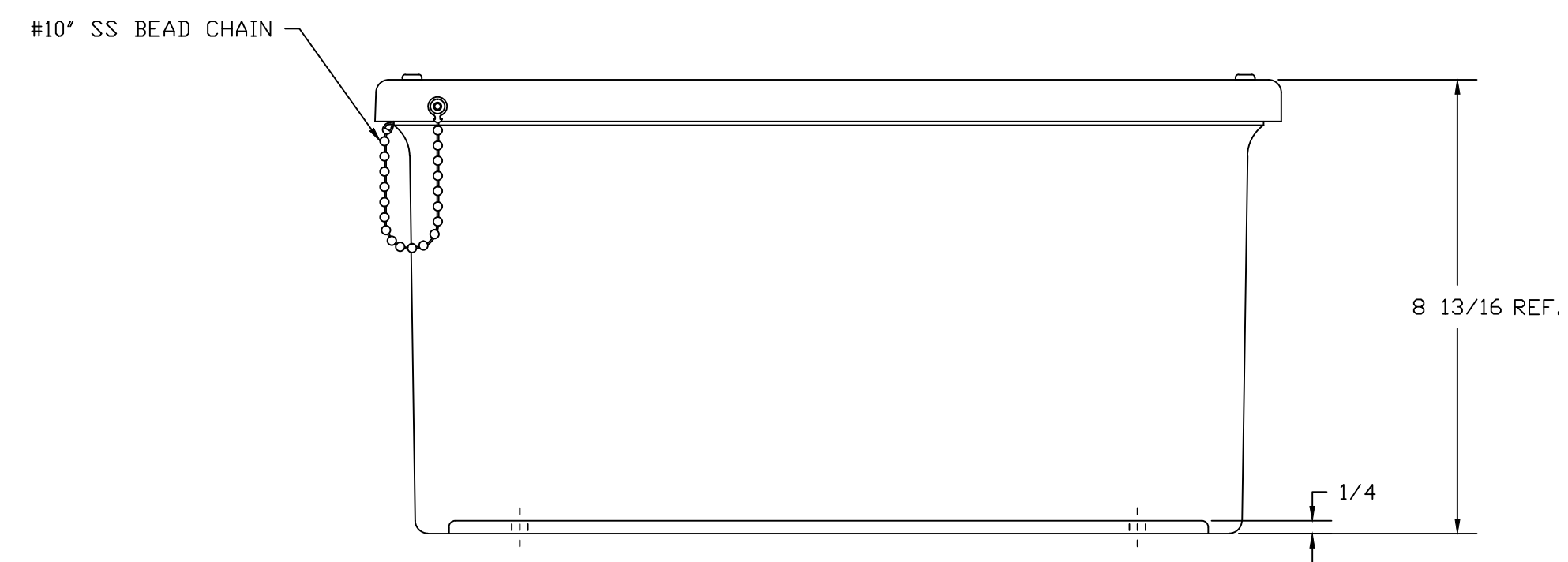


SECTION B-B



SECTION A-A

NOTES:

NEMA 4X		TOLERANCES UNLESS SPECIFIED		DECIMAL ± .010	FRACTIONAL ± 1/32
COLOR GLACIER GRAY RR1013					
MATERIAL	F.R. POLYESTER FIBERGLASS	DR. BY	SH	DATE	5/6/91
LET.	REVISION RECORD	DATE	BY	CHK. BY	DATE
				APD. BY	DATE
		SCALE		PART NAME	PART NO.
		DO NOT SCALE		ENCLOSURE	J1816W

**STAHLIN**  
ENCLOSURES  
DIVISION OF ROBROY INDUSTRIES

BELDING, MICHIGAN  
48809

AutoCAD DWG. FILE  
J1816W