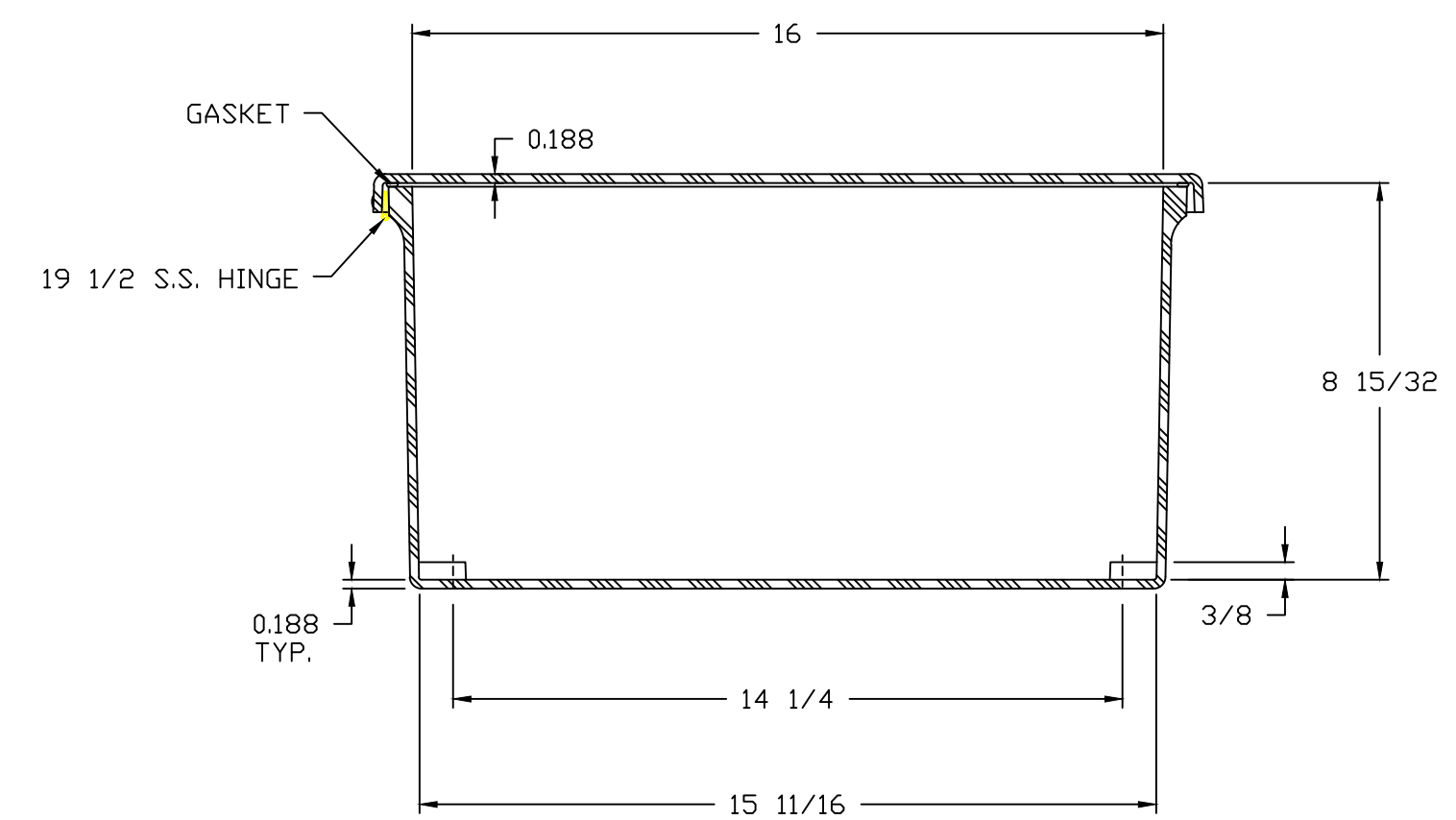
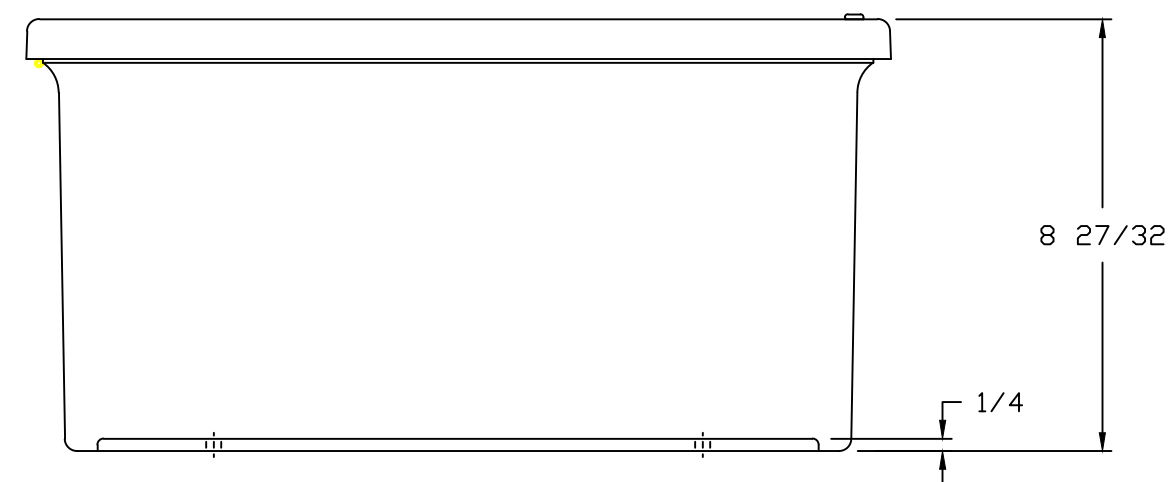



SECTION B-B



SECTION A-A

NOTES:

NEMA 4X		TOLERANCES UNLESS SPECIFIED		DECIMAL ±.010	FRACTIONAL ± 1/32	
COLOR GLACIER GRAY RR1013		DR. BY GF		DATE 3/30/00	 BELDING, MICHIGAN 48809	
MATERIAL F.R. POLYESTER FIBERGLASS		CHK. BY	DATE	APD. BY		DATE
LET.	REVISION RECORD	DATE	BY	CHD.	CUSTOMER	AutoCAD DWG. FILE J2016HW
SCALE 1:1		PART NAME ENCLOSURE		PART NO. J2016HW		