
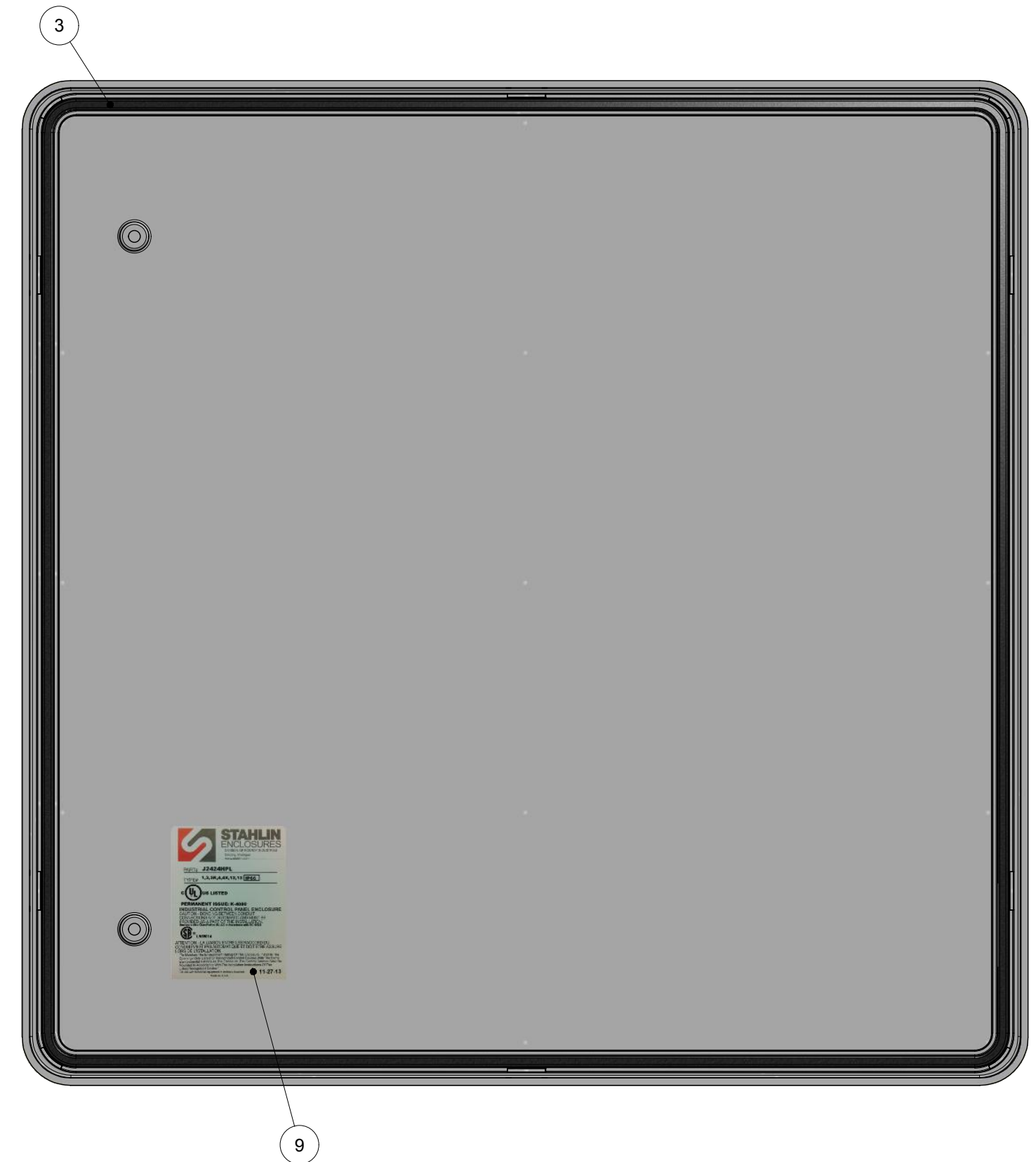
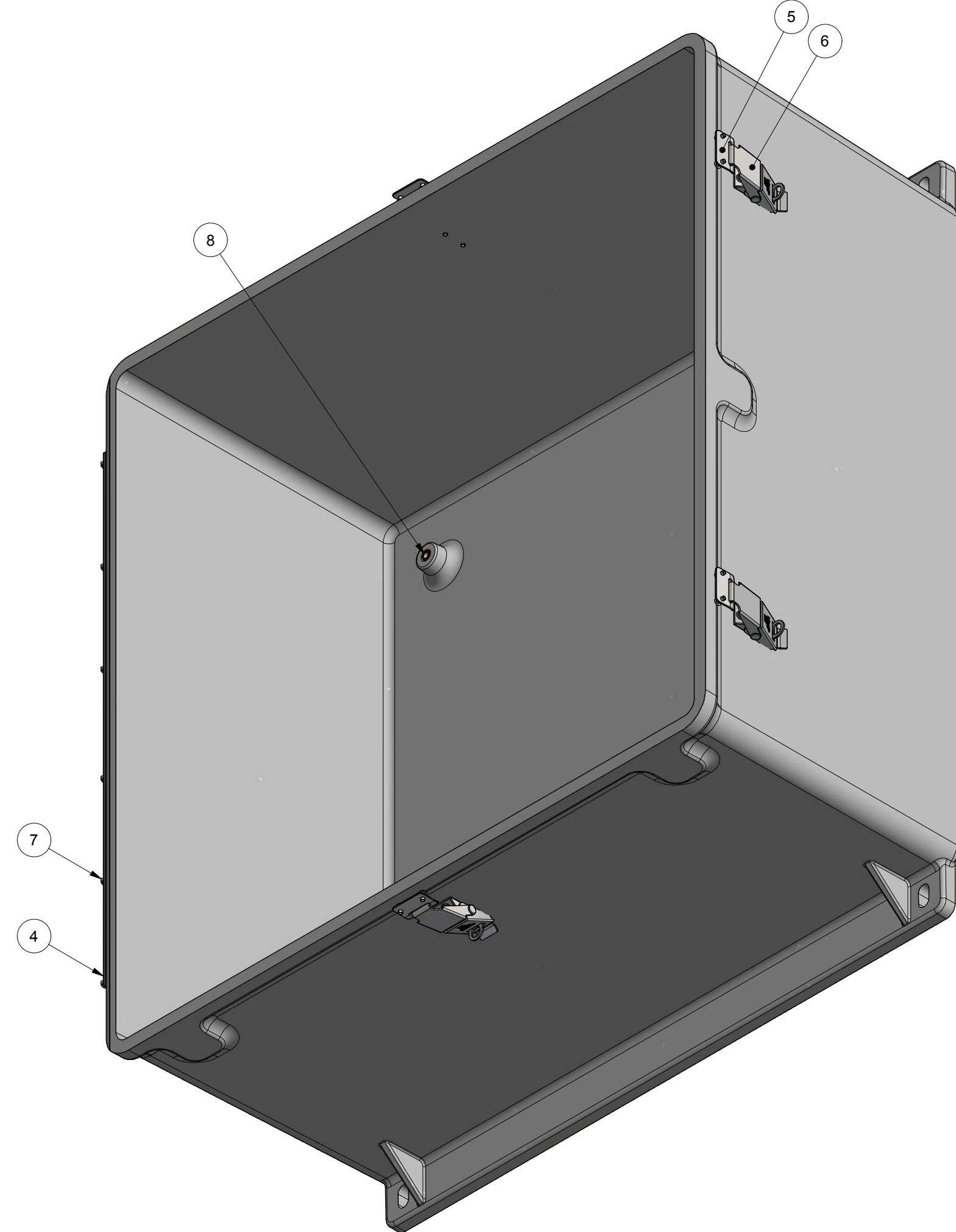
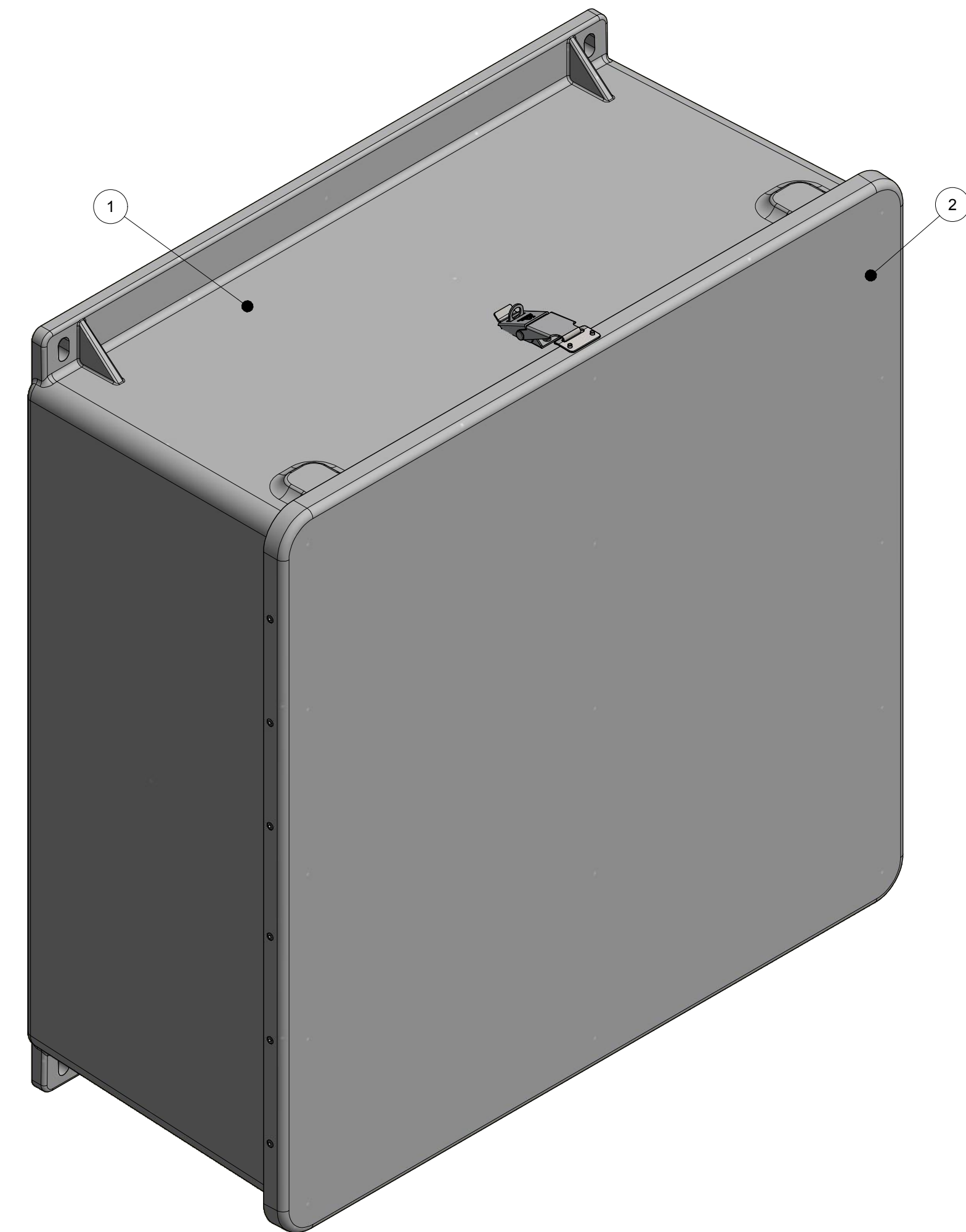


THIS DRAWING AND THE INFORMATION HEREON ARE OUR PROPERTY AND MAY BE USED BY OTHERS ONLY AS AUTHORIZED BY STAHLIN ENCLOSURES, DIVISION OF ROBROY INDUSTRIES. ALL RIGHTS RESERVED UNDER THE COPYRIGHT LAWS.

SPECIAL REQUIREMENTS

NEMA 250: TYPE 1, 3, 3R, 4, 4X, 12, 13 IEC 60529: IP66 COLOR: GLACIER GRAY (WPR3013) COLOR STANDARD: PANTONE 428 C		STANDARD P/N: J2424HPL	ALL DIMENSIONS ARE IN INCHES UNLESS OTHERWISE SPECIFIED	TOLERANCES UNLESS SPECIFIED	.XX ± 0.03 .XXX ± 0.010			
MATERIAL: FIBERGLASS REINFORCED POLYESTER (FRP)		CUSTOMER DWG:	 STAHLIN A DIVISION OF ROBROY INDUSTRIES Stahlin Non-Metallic Enclosures 500 Maple Street Belding, Michigan 48809 Phone: 616-794-0700 Fax: 616-749-3378					
REVISION HISTORY		DRAWN BY				DATE	CUSTOMER	DWG
REV	DESCRIPTION	DATE				ENG		
-	-	-				-		
-	-	-				-		
DO NOT SCALE		SCALE	DESCRIPTION	PART NUMBER				
		DO NOT SCALE	STANDARD ENCLOSURE	FEJ2424HPL				

8 7 6 5 4 3 2 1



PARTS LIST			
ITEM	QTY	PART NUMBER	DESCRIPTION
1	1	WP2424H&LBOX	J2424 MOLDED H&L BOX
2	1	WP2424H&LCVR	J2424 MOLDED H&L CVR
3	1	RMGAS_WP2424H&LCVR	WP2424HLU GASKET
4	1	RMHING19-1/2	19.5" HINGE
5	4	RMKEEPSSL	HPL KEEPER
6	4	RMLATSSL	HPL LATCH
7	28	RMRIV44	RIVET
8	4	RMINSOD0700154500	1/4-20 x 5/16 DODGE EXPANSION INSERT
9	1	N/A	J2424HPL LABEL

THIS DRAWING AND THE INFORMATION HEREON ARE OUR PROPERTY AND MAY BE USED BY OTHERS ONLY AS AUTHORIZED BY STAHLIN ENCLOSURES, DIVISION OF ROBROY INDUSTRIES. ALL RIGHTS RESERVED UNDER THE COPYRIGHT LAWS.

SPECIAL REQUIREMENTS

NEMA 250: TYPE 1, 3, 3R, 4, 4X, 12, 13
IEC 60529: IP66
COLOR: GLACIER GRAY (WPR3013)
COLOR STANDARD: PANTONE 428 C

STANDARD P/N: J2424HPL
CUSTOMER DWG:

ALL DIMENSIONS ARE IN INCHES UNLESS OTHERWISE SPECIFIED

TOLERANCES UNLESS SPECIFIED .XX ± 0.03 .XXX ± 0.010

MATERIAL: FIBERGLASS REINFORCED POLYESTER (FRP)

STAHLIN
A DIVISION OF ROBROY INDUSTRIES

Stahlin Non-Metallic Enclosures
500 Maple Street
Belding, Michigan 48809
Phone: 616-794-0700
Fax: 616-749-3378

DRAWN BY DRH	DATE 12/05/13	CUSTOMER	DWG J2424HPL
SCALE DO NOT SCALE	DESCRIPTION STANDARD ENCLOSURE	PART NUMBER FEJ2424HPL	

8 7 6 5 4 3 2 1