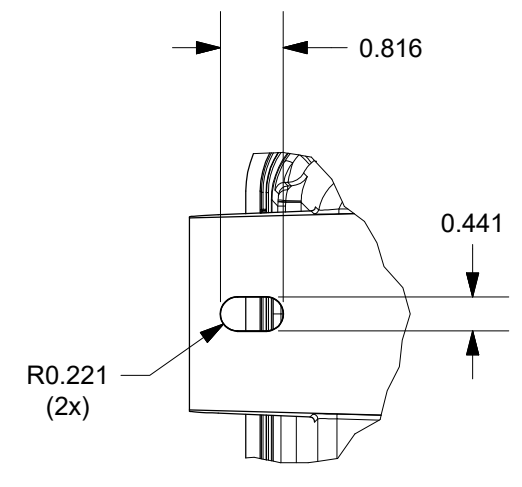
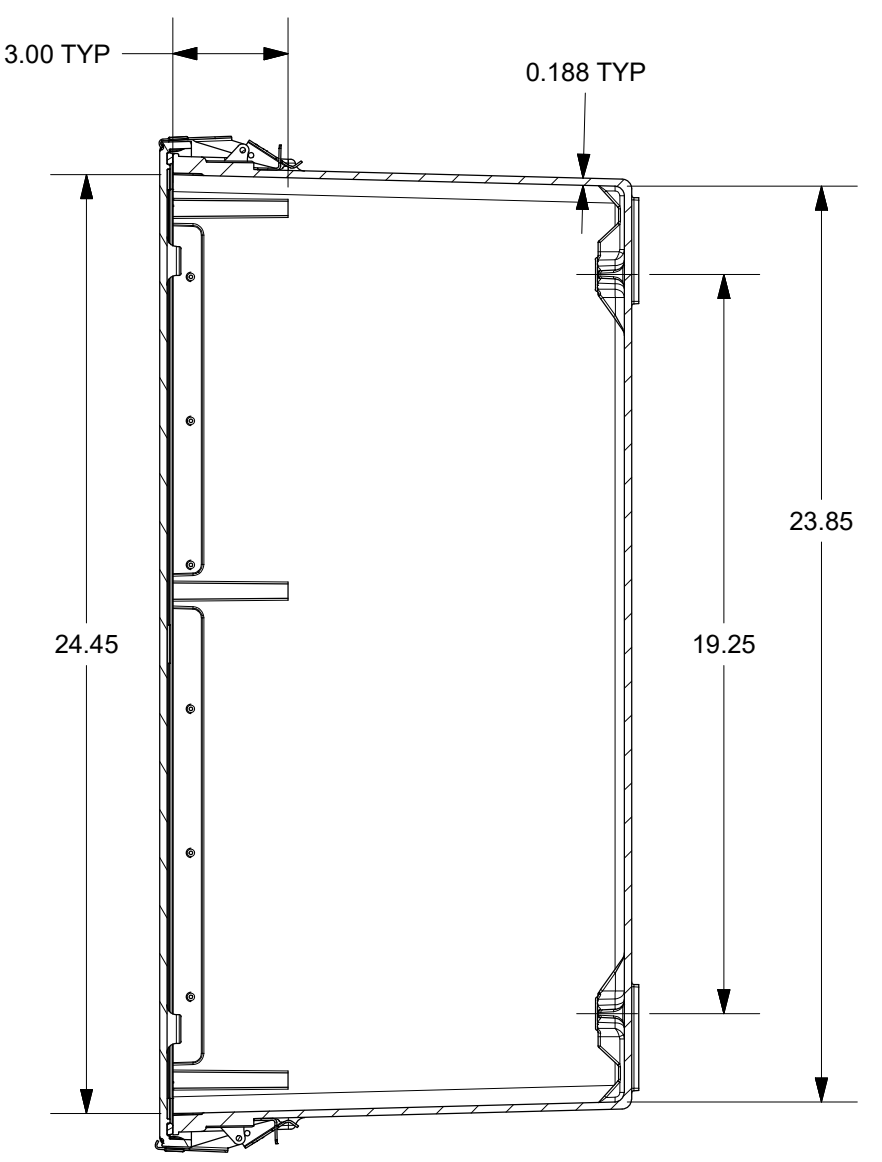
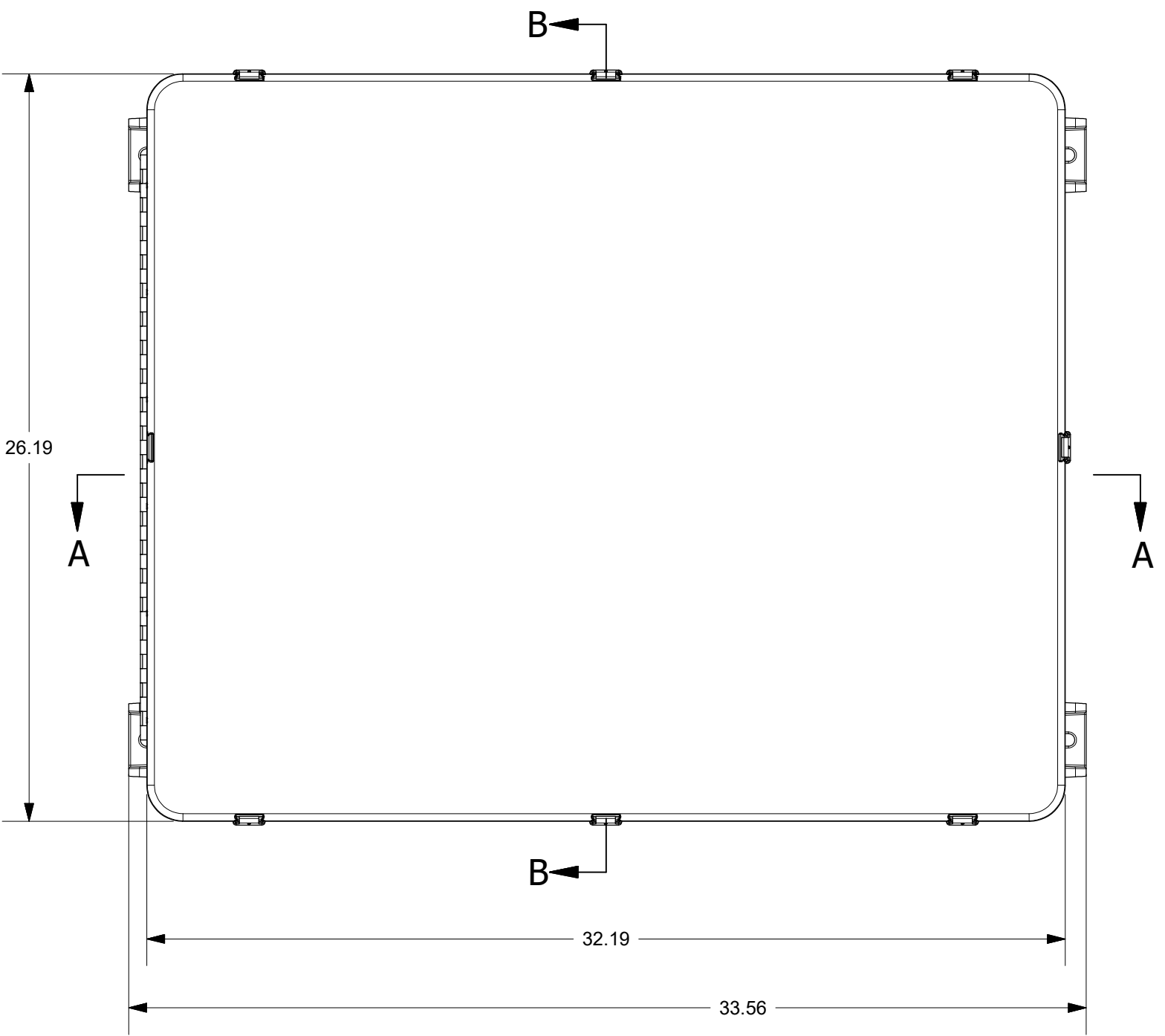
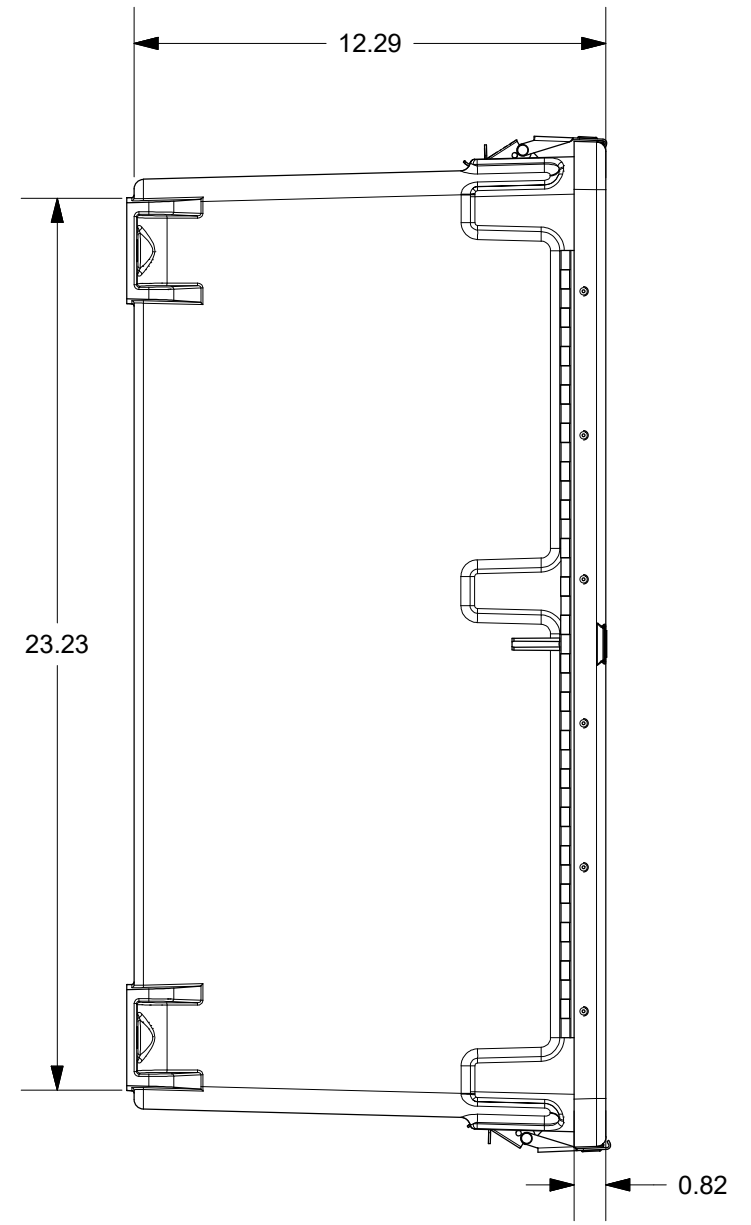
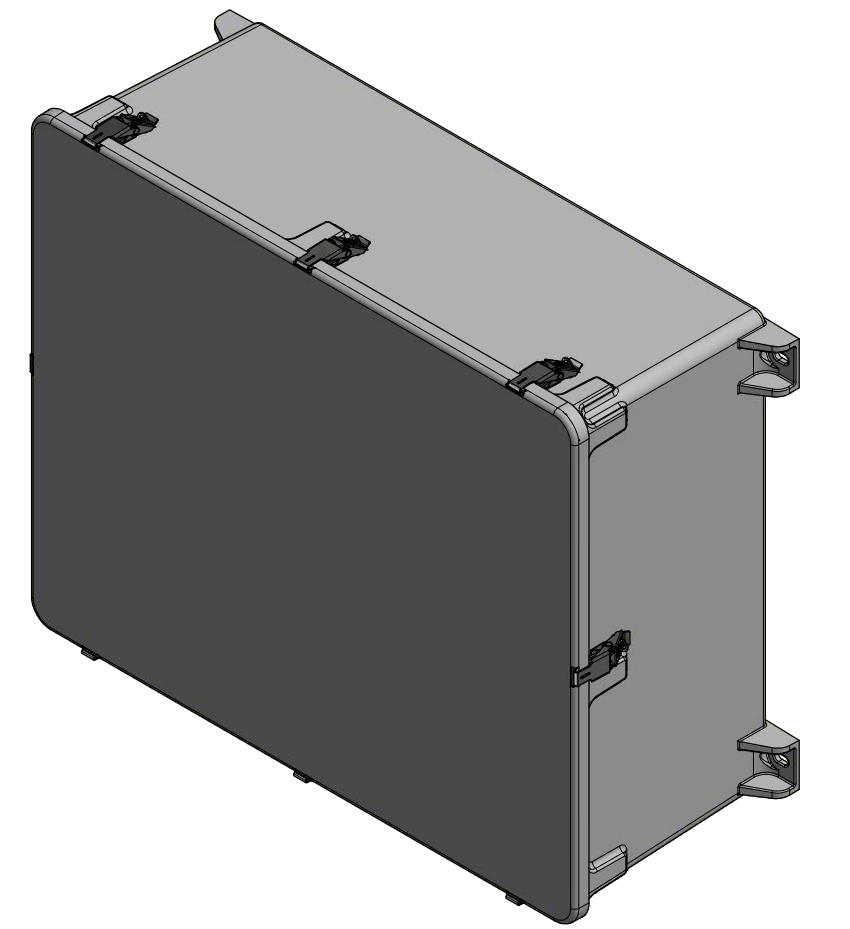


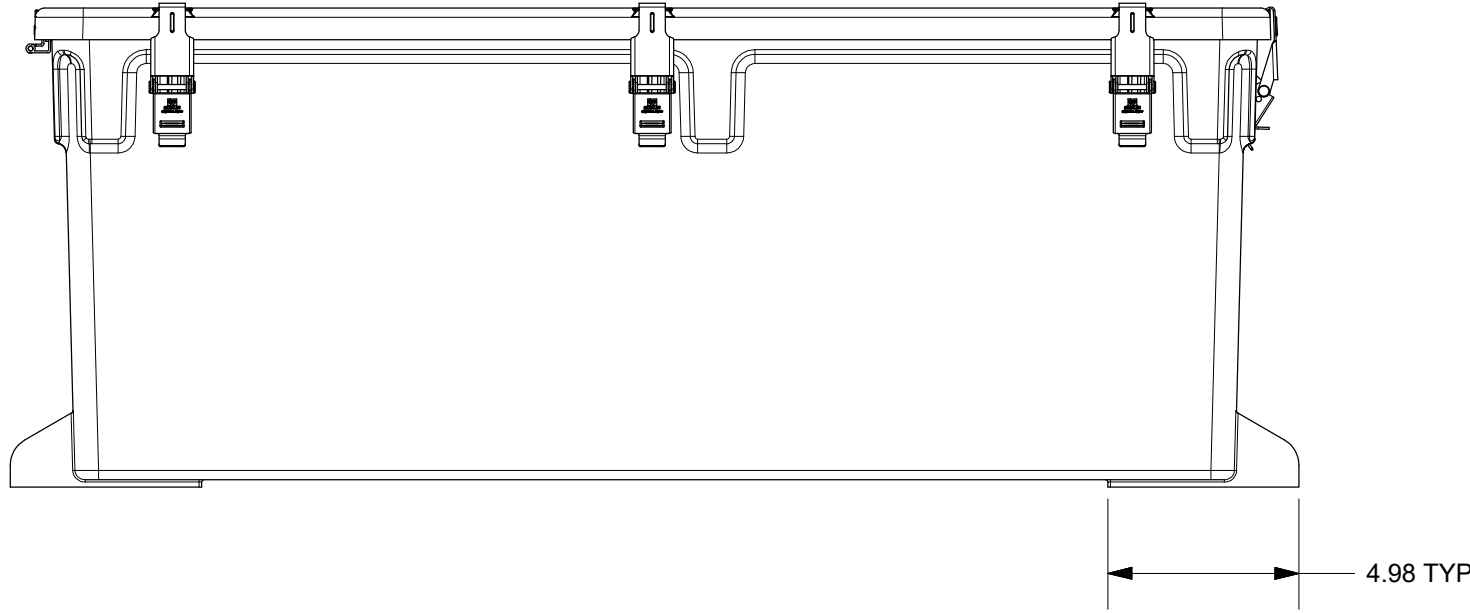
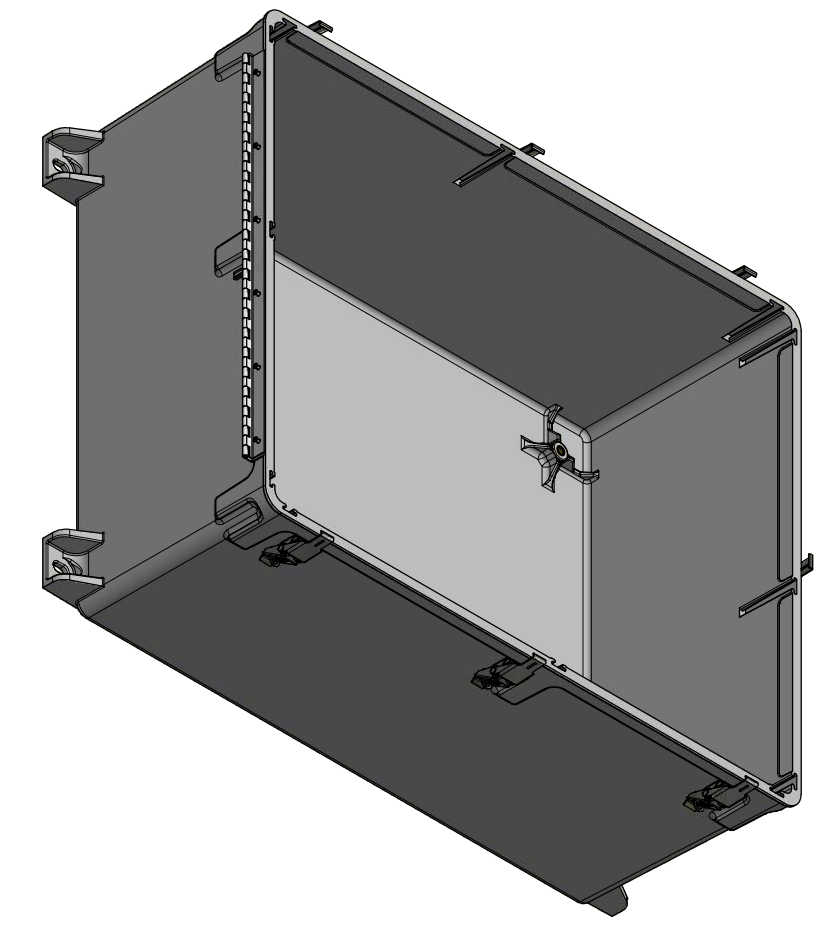
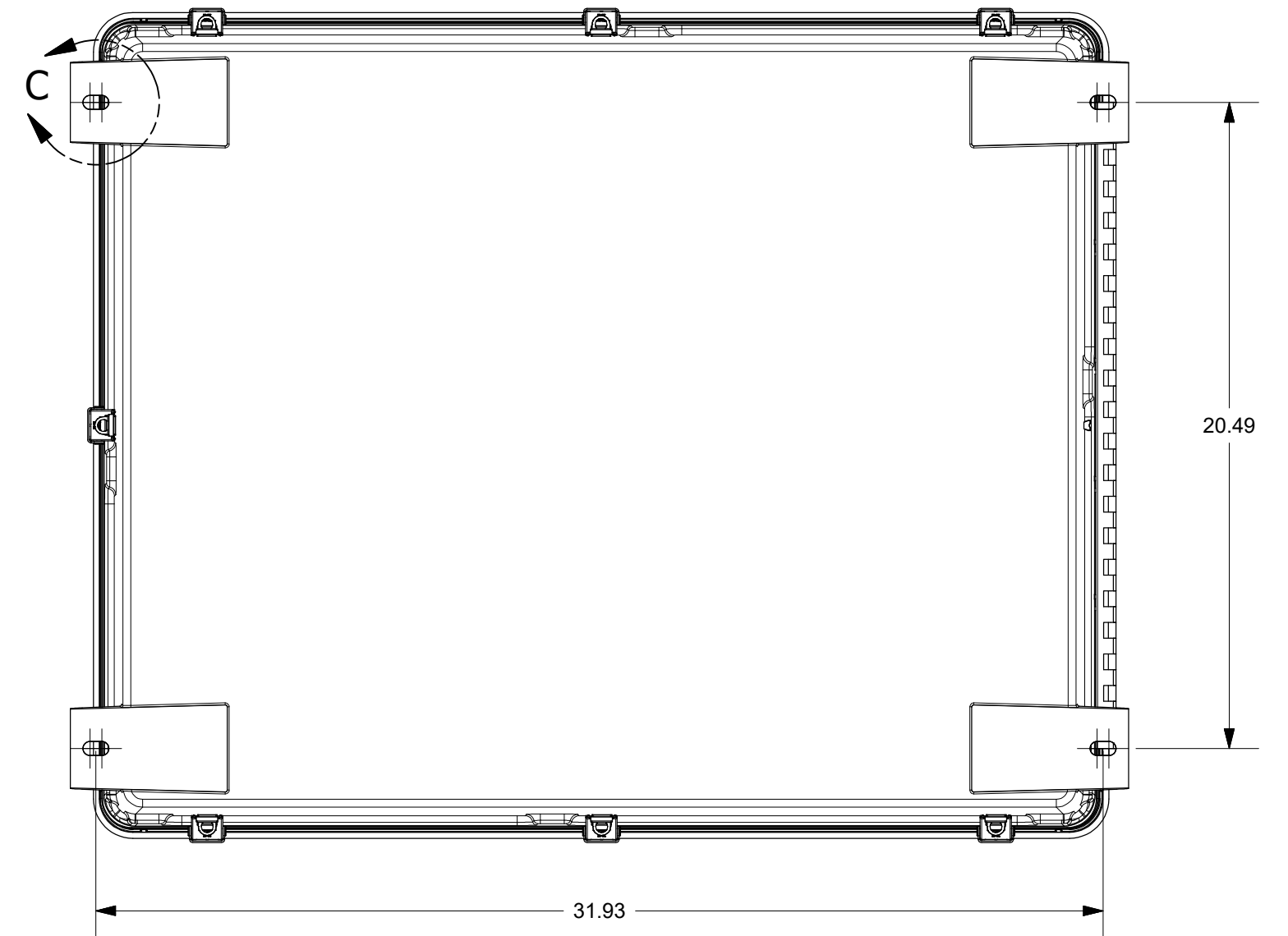
SECTION A-A



DETAIL C
(4x)



SECTION B-B

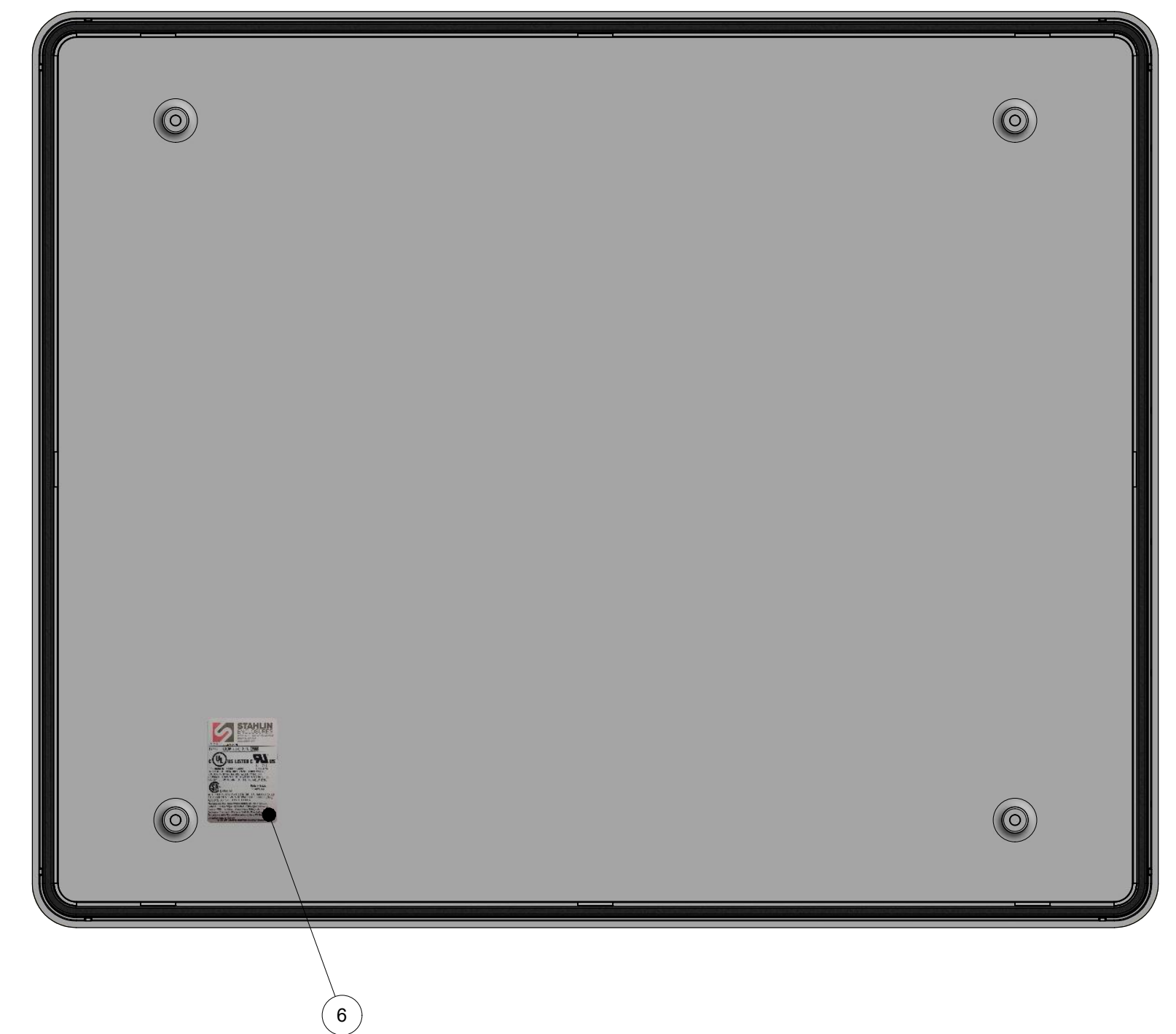
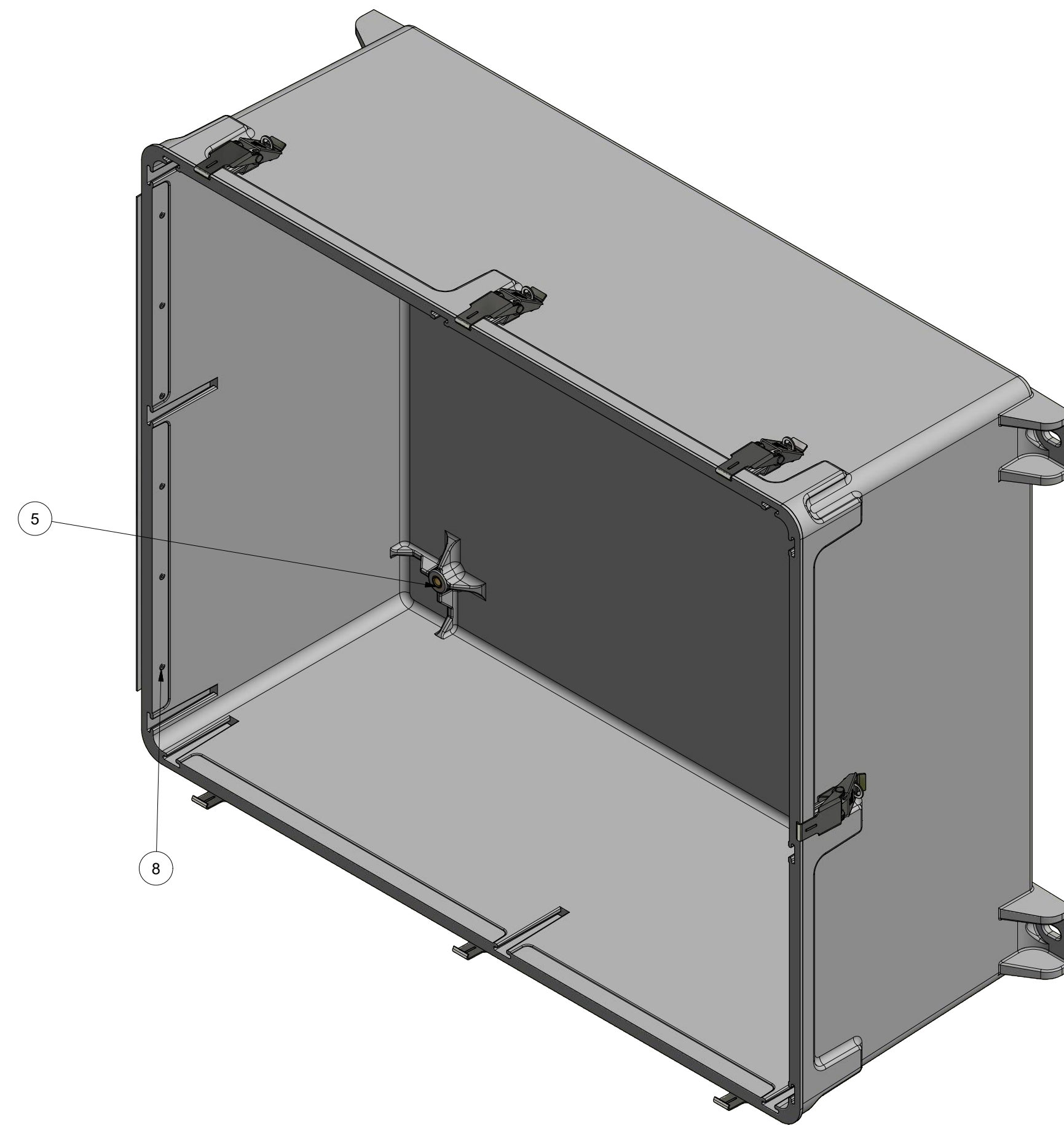
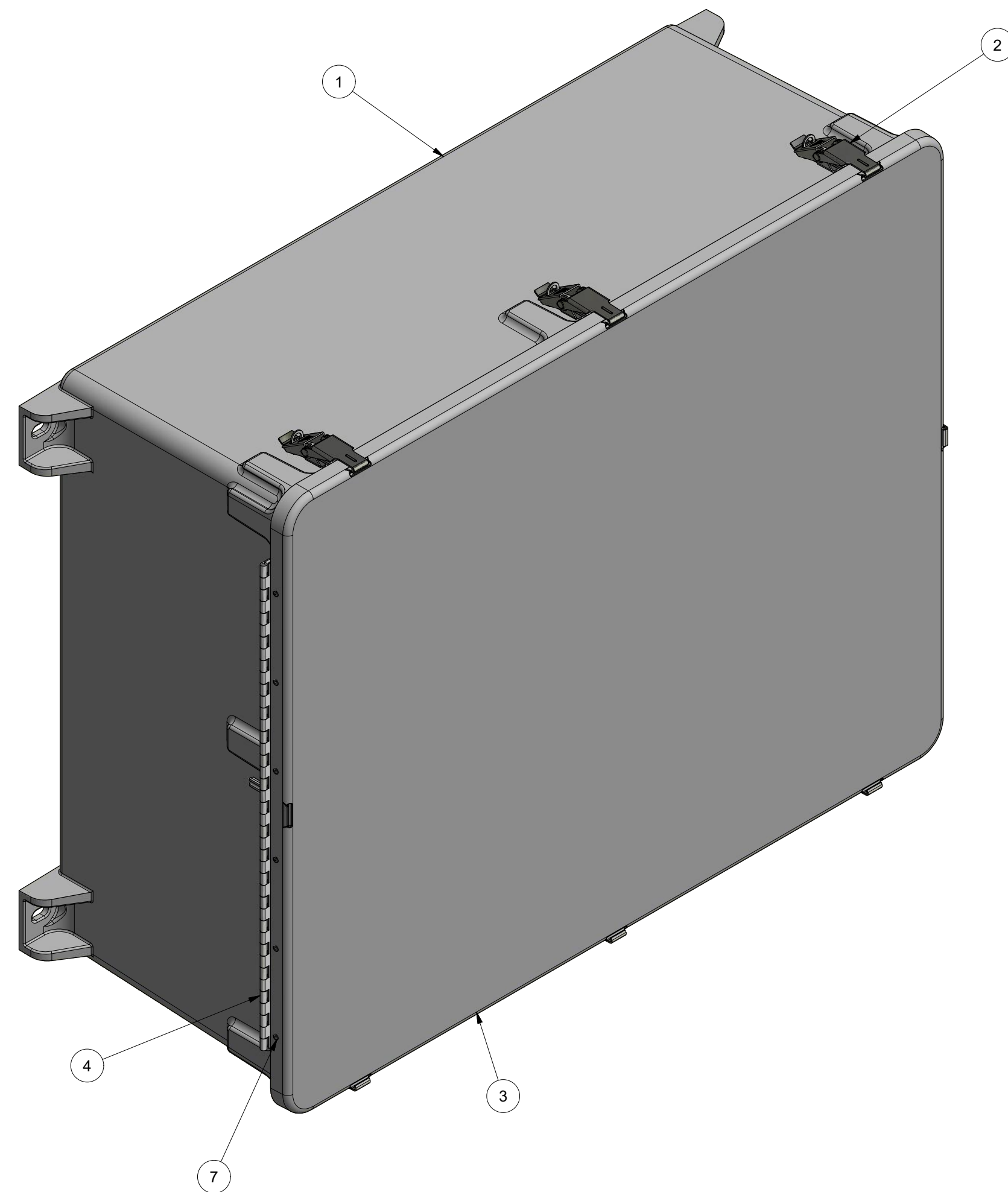


THIS DRAWING IS THE SOLE AND EXCLUSIVE PROPERTY OF ROBROY ENCLOSURES. NO PART OF THIS DRAWING MAY BE REPRODUCED, DISTRIBUTED, OR PUBLICALLY DISPLAYED IN ANY FORM OR BY ANY MEANS WITHOUT THE EXPRESS WRITTEN PERMISSION OF ROBROY ENCLOSURES. ALL RIGHTS RESERVED. UNDER THE COPYRIGHT LAWS. COPYRIGHT © 2017 ROBROY ENCLOSURES.

SPECIAL REQUIREMENTS

ASSEMBLY:
1. (1) ACCESSORY KIT (FE4PKBPN) SHALL BE PACKAGED LOOSELY INSIDE ENCLOSURE
HARDWARE INCLUDED:
-(4) 3/8-16 X 1/2 HEX HEAD CAP SCREW T18
-(4) 3/8 FLAT WASHER T18-8 SS

NEMA 250: TYPE 1, 3, 3R, 4, 4X, 12, 13 IEC 60529: IP66 COLOR: GLACIER GRAY (WPR3013) COLOR STANDARD: PANTONE 428 C		STANDARD P/N: J2430HPL CUSTOMER DWG:	ALL DIMENSIONS ARE IN INCHES UNLESS OTHERWISE SPECIFIED	TOLERANCES UNLESS SPECIFIED .XX ± 0.03 .XXX ± 0.010
MATERIAL: FIBERGLASS REINFORCED POLYESTER (FRP)		<p>Robroy Enclosures 500 Maple Street Belding, Michigan 48809 Phone: 616-794-0700 Fax: 616-749-3378</p>		
REVISION HISTORY				
REV	DESCRIPTION	DATE	ENG	
-	-	-	-	
-	-	-	-	
-	-	-	-	
-	-	-	-	
-	-	-	-	
-	-	-	-	
DRAWN BY: AA		DATE: 12/11/17	CUSTOMER	
SCALE: DO NOT SCALE		DESCRIPTION: STANDARD ENCLOSURE		PART NUMBER: FEJ2430HPL
				DWG: J2430HPL



PARTS LIST			
ITEM	QTY	PART NUMBER	DESCRIPTION
1	1	WP2430HBOX	MOLDED J2430 BOX
2	7	RMLATSSLXL	J3024 HPL LATCH
3	1	WP2430HU	GASKET WP2430HCVR
4	1	RMHINGJ30HSS	J SERIES HSS HINGE 20.5
5	4	RMINS3-8-16X11-16	3/8-16X11/16 BRASS INSERT 200-107
6	1	RMLABSTAHLIN3X2	STA1024 STAHLIN LOGO LABEL
7	6	RMRIV64	SSD64SSBS RIVET
8	6	RMRIV68	SSD68SSBS RIVET

THIS DRAWING IS THE SOLE AND EXCLUSIVE PROPERTY OF ROBROY ENCLOSURES. NO PART OF THIS DRAWING MAY BE REPRODUCED, DISTRIBUTED, OR PUBLICALLY DISPLAYED IN ANY FORM OR BY ANY MEANS WITHOUT THE EXPRESS WRITTEN PERMISSION OF ROBROY ENCLOSURES. ALL RIGHTS RESERVED. UNDER THE COPYRIGHT LAWS. COPYRIGHT © 2017 ROBROY ENCLOSURES.

SPECIAL REQUIREMENTS

ASSEMBLY:
 1 (1) ACCESSORY KIT (FE4PKBPN) SHALL BE PACKAGED LOOSELY INSIDE ENCLOSURE
HARDWARE INCLUDED:
 -(4) 3/8-16 X 1/2 HEX HEAD CAP SCREW T18
 -(4) 3/8 FLAT WASHER T18-8 SS

NEMA 250: TYPE 1, 3, 3R, 4, 4X, 12, 13
 IEC 60529: IP66
 COLOR: GLACIER GRAY (WPR3013)
 COLOR STANDARD: PANTONE 428 C

STANDARD P/N: J2430HPL
 CUSTOMER DWG:

ALL DIMENSIONS ARE IN INCHES UNLESS OTHERWISE SPECIFIED
 TOLERANCES UNLESS SPECIFIED .XX .XXX ± 0.03 ± 0.010

MATERIAL: FIBERGLASS REINFORCED POLYESTER (FRP)



Robroy Enclosures
 500 Maple Street
 Belding, Michigan 48809
 Phone: 616-794-0700
 Fax: 616-749-3378

DRAWN BY	AA	DATE	12/11/17	CUSTOMER		DWG	J2430HPL
SCALE	DO NOT SCALE	DESCRIPTION	STANDARD ENCLOSURE	PART NUMBER	FEJ2430HPL		