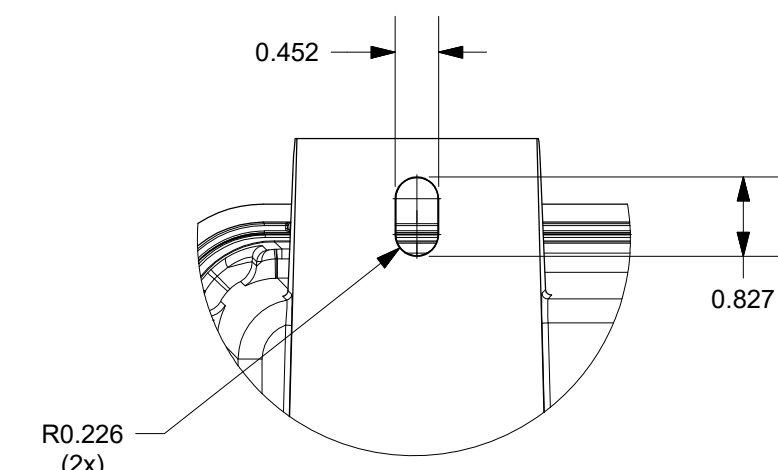
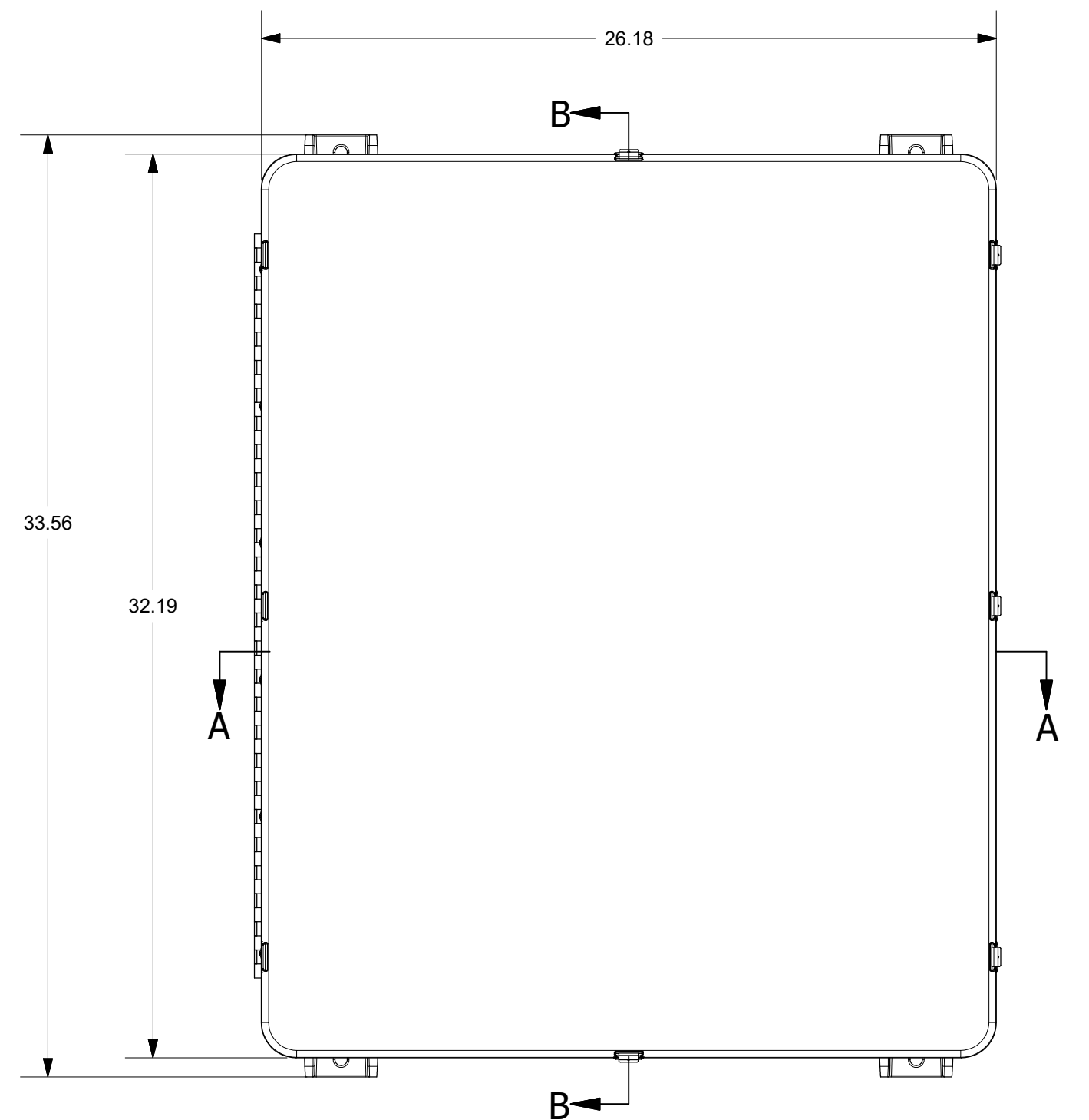
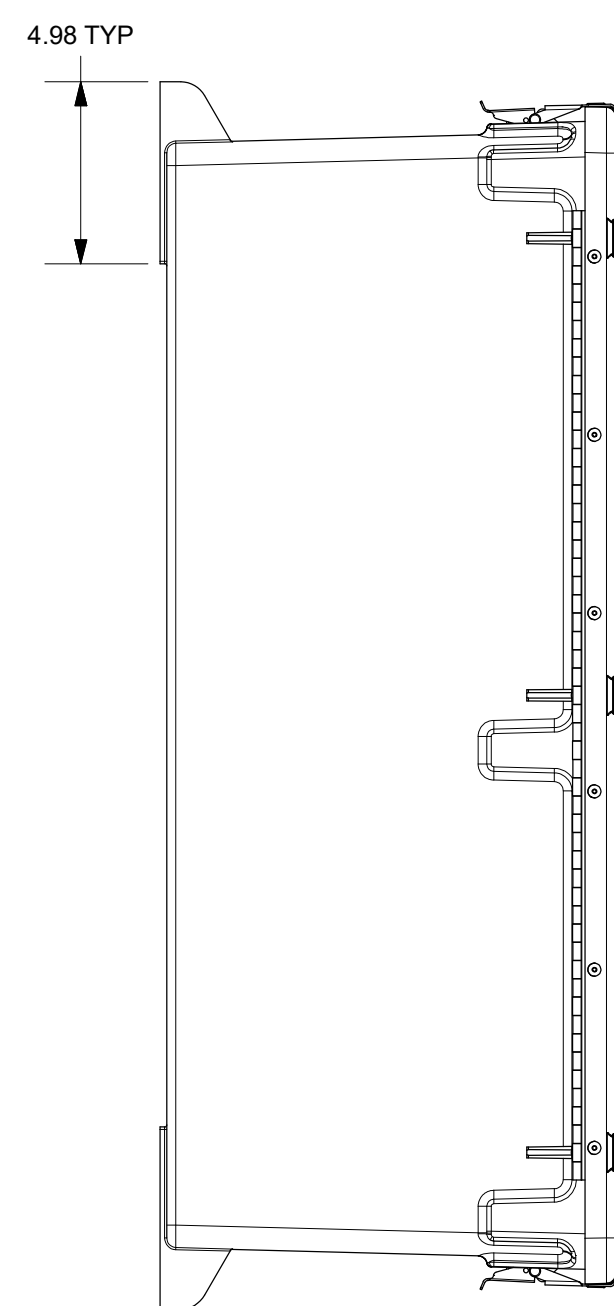
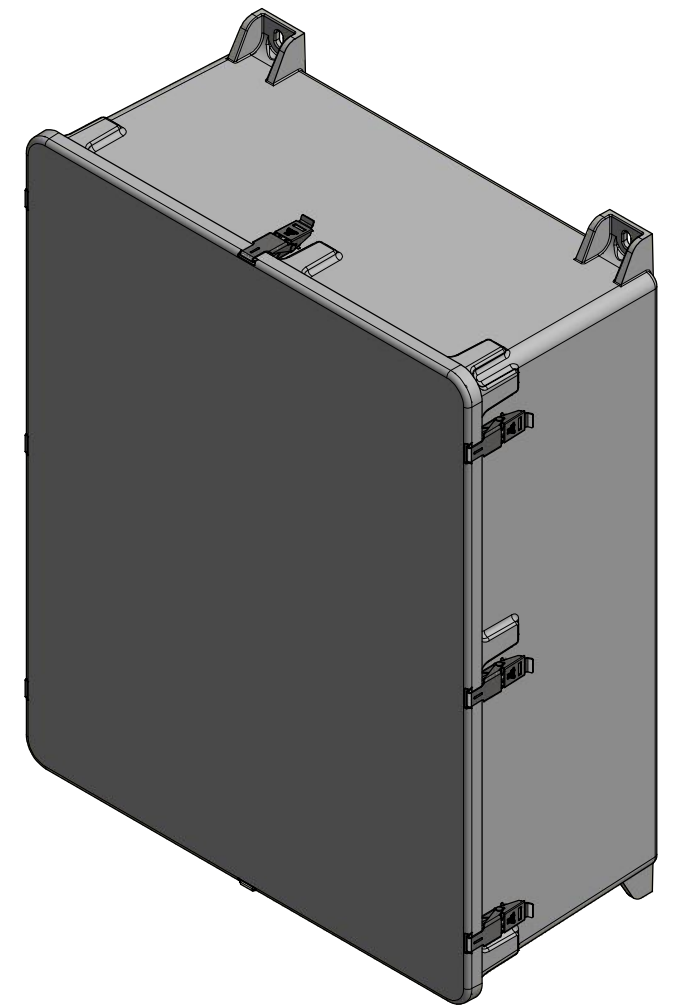


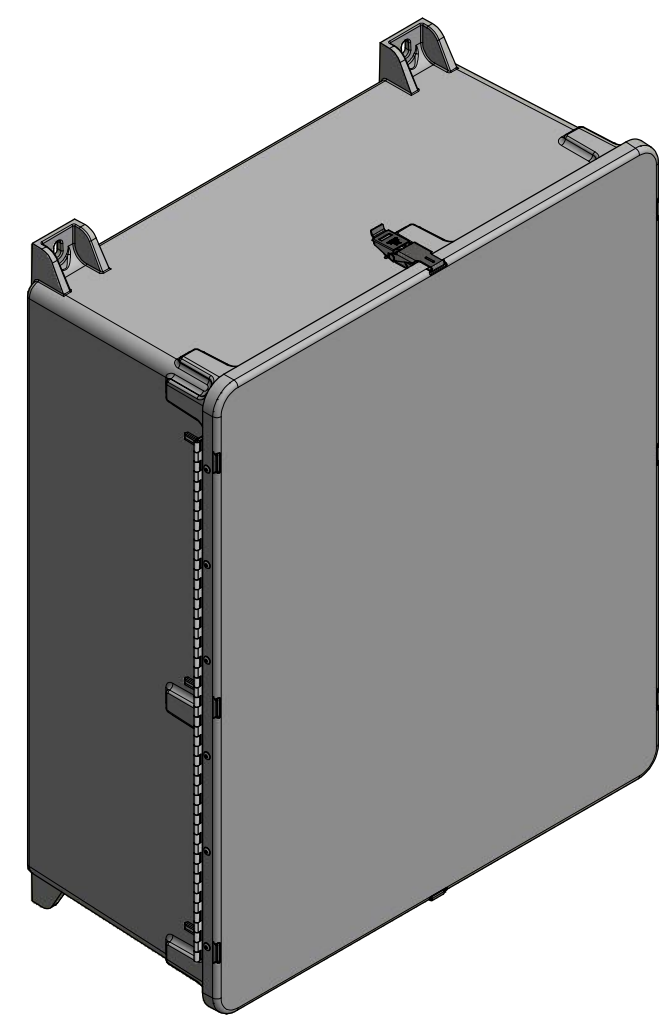
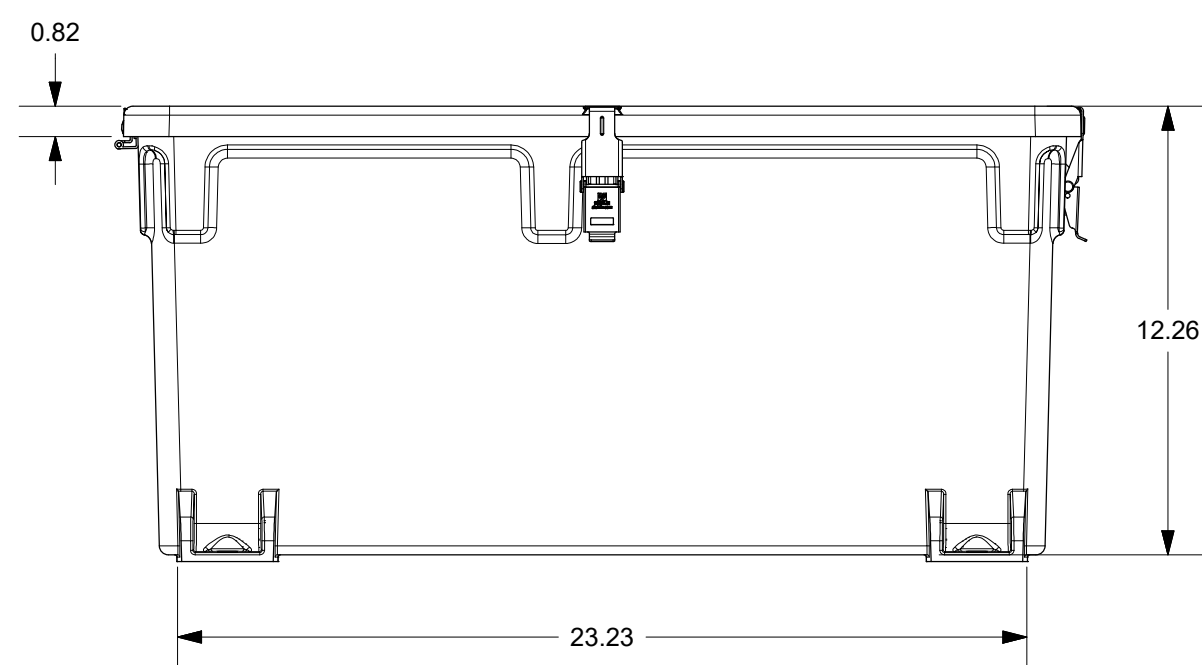
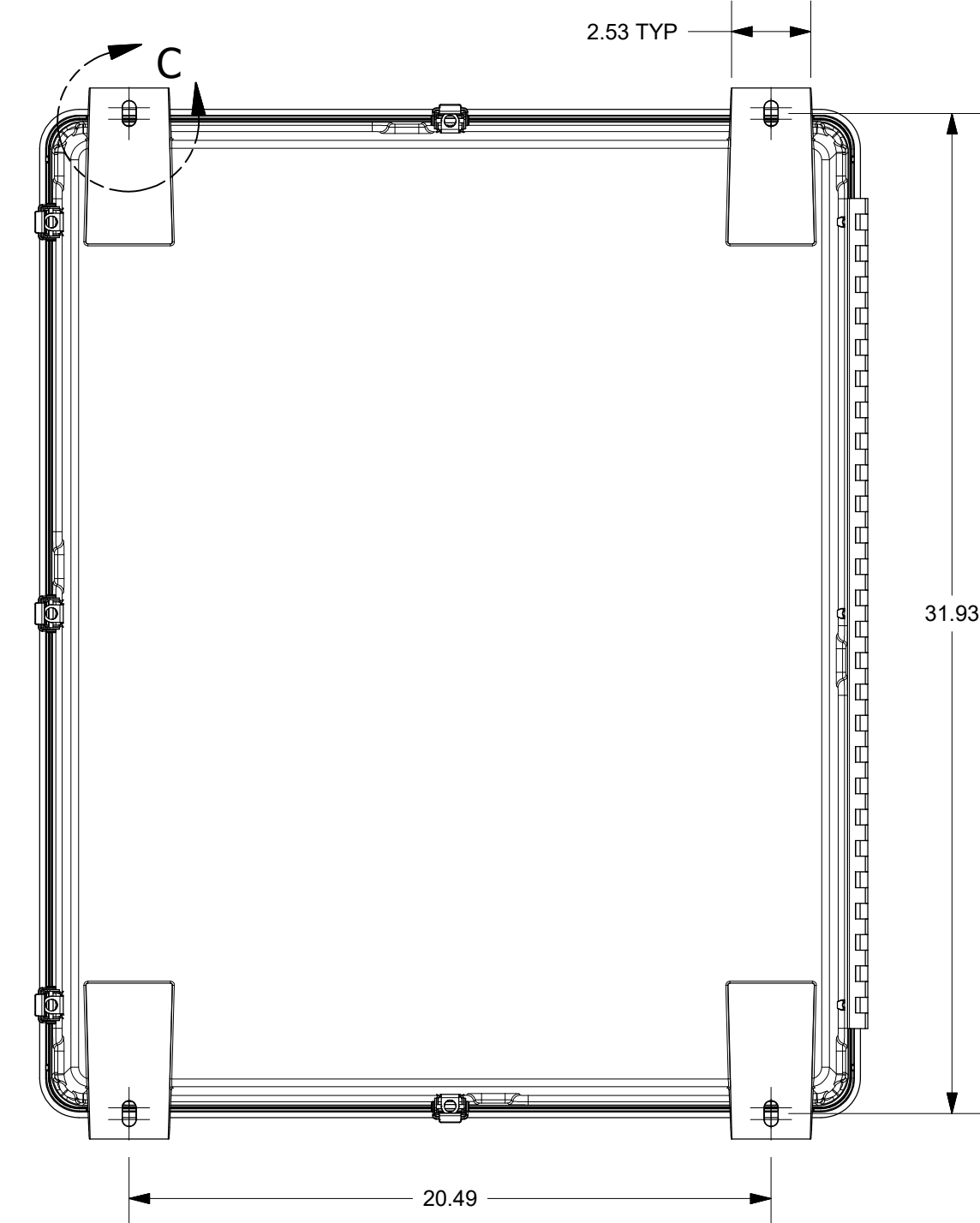
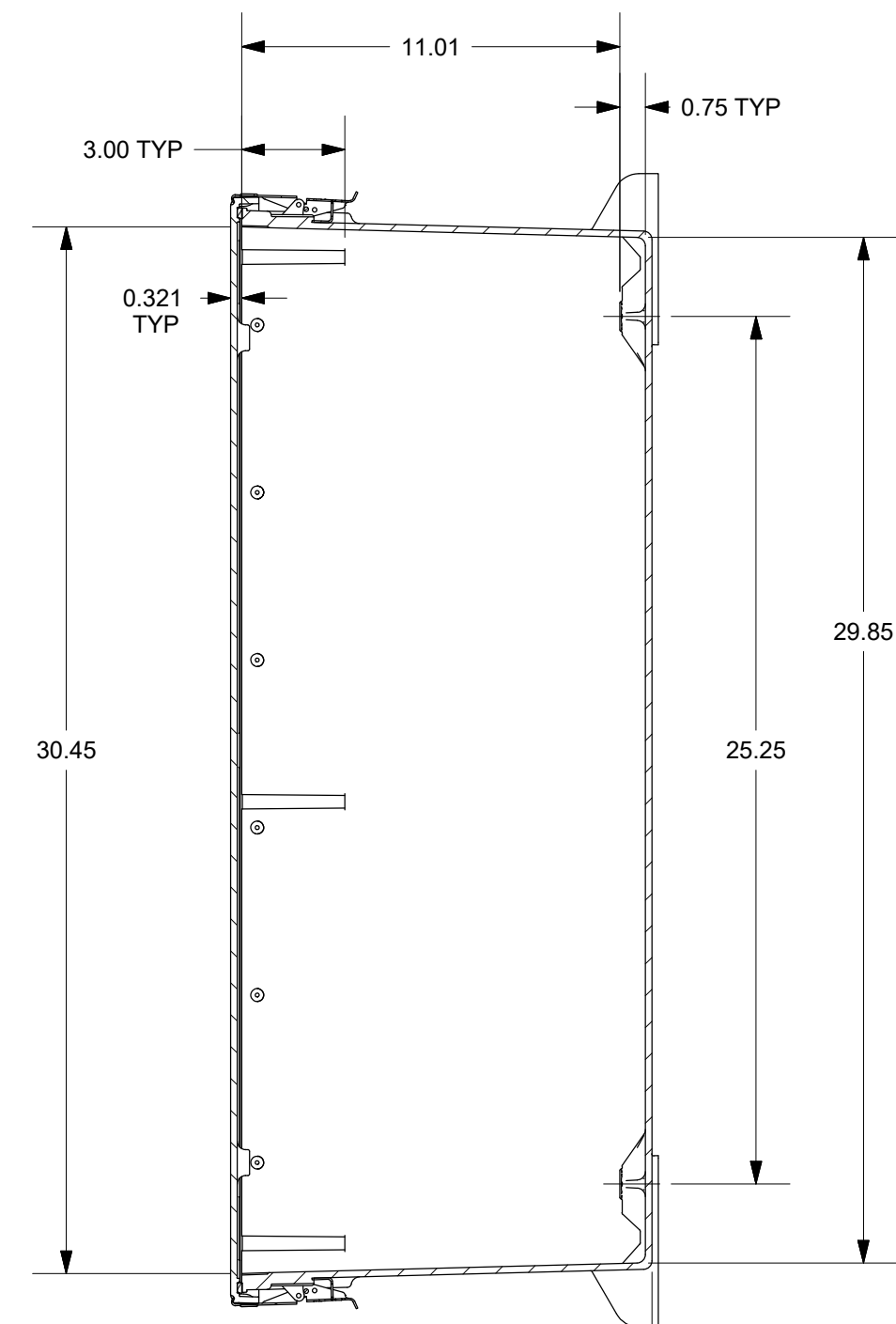
SECTION A-A



DETAIL C
(4x)




SECTION B-B

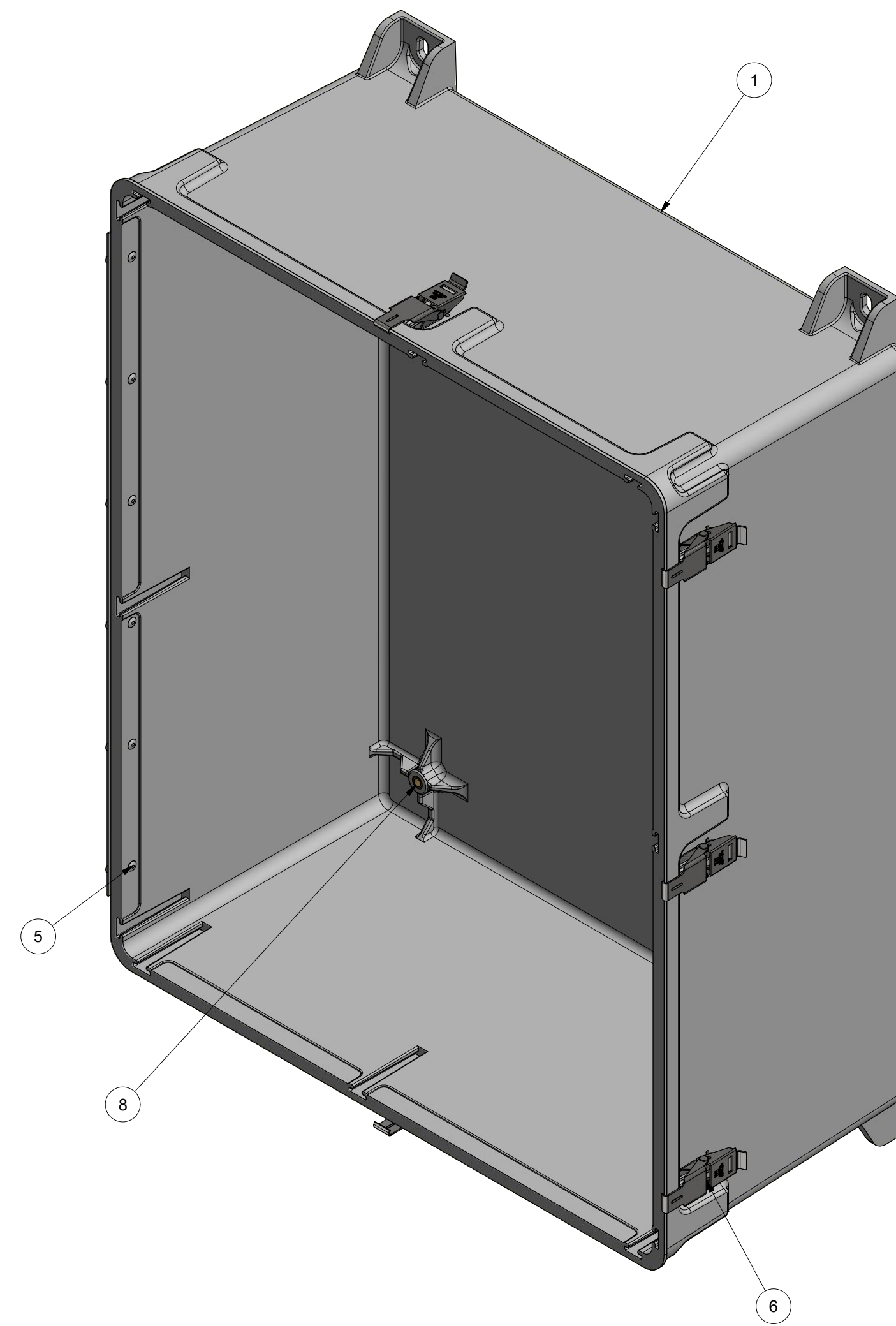
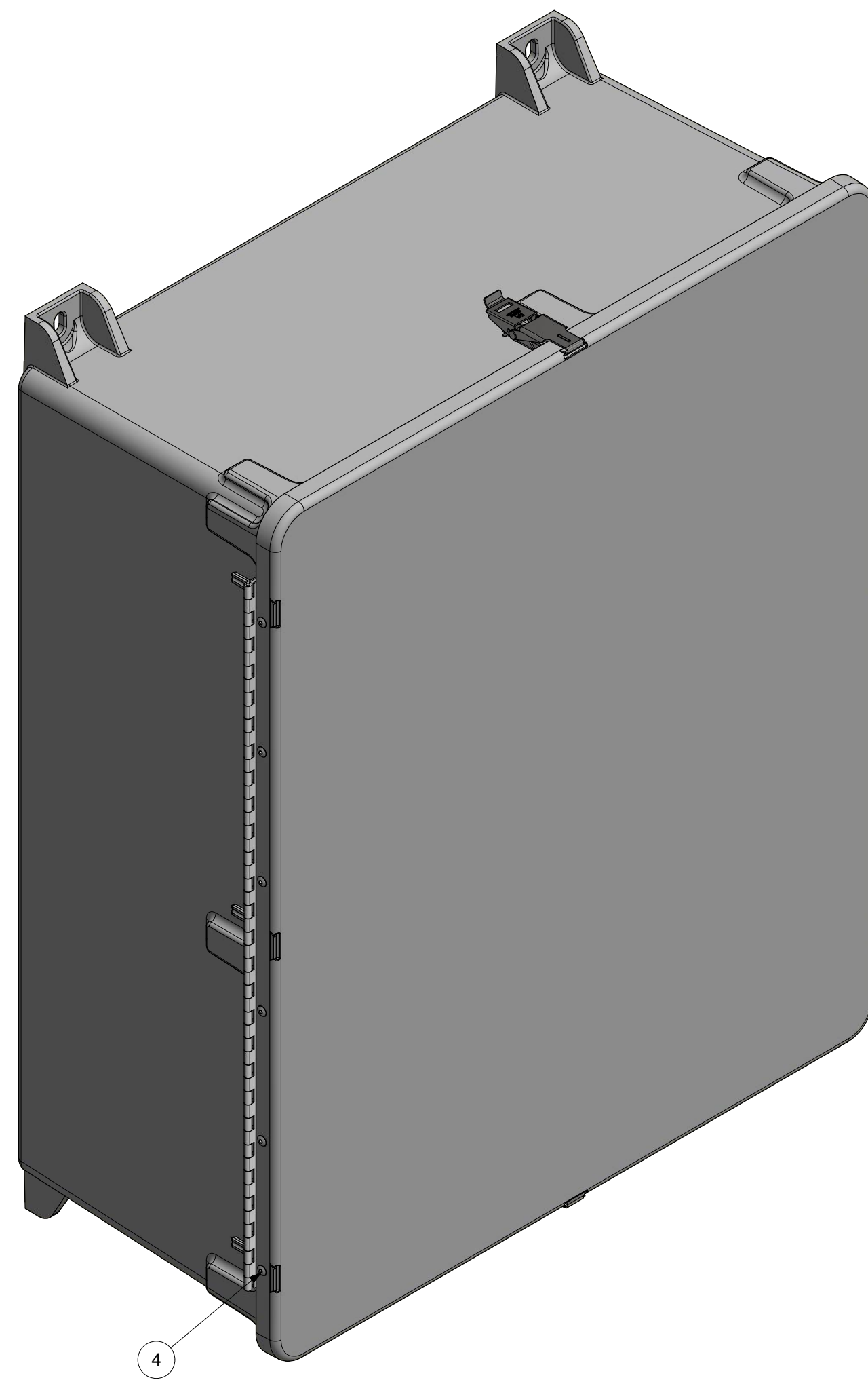


THIS DRAWING IS THE SOLE AND EXCLUSIVE PROPERTY OF ROBROY ENCLOSURES. NO PART OF THIS DRAWING MAY BE REPRODUCED, DISTRIBUTED, OR PUBLICALLY DISPLAYED IN ANY FORM OR BY ANY MEANS WITHOUT THE EXPRESS WRITTEN PERMISSION OF ROBROY ENCLOSURES. ALL RIGHTS RESERVED. UNDER THE COPYRIGHT LAWS. COPYRIGHT © 2017 ROBROY ENCLOSURES.

SPECIAL REQUIREMENTS

ASSEMBLY:
1. (1) ACCESSORY KIT (FE4PKBP) SHALL BE PACKAGED LOOSELY INSIDE ENCLOSURE
HARDWARE INCLUDED:
-(4) 3/8-16 x 1/2 HEX HEAD CAP SCREW T18
-(4) 3/8 FLAT WASHER T18-8 SS

NEMA 250: TYPE 1, 3, 3R, 4, 4X, 12, 13 IEC 60529: IP66 COLOR: GLACIER GRAY (WPR3013) COLOR STANDARD: PANTONE 428 C	STANDARD P/N: J3024HPL CUSTOMER DWG:	ALL DIMENSIONS ARE IN INCHES UNLESS OTHERWISE SPECIFIED	TOLERANCES UNLESS SPECIFIED	.XX ± 0.03 .XXX ± 0.010
MATERIAL: FIBERGLASS REINFORCED POLYESTER (FRP)		 Robroy Enclosures 500 Maple Street Belding, Michigan 48809 Phone: 616-794-0700 Fax: 616-749-3378		
REVISION HISTORY				
REV	DESCRIPTION	DATE	ENG	DWG
-	-	-	-	-
-	-	-	-	-
-	-	-	-	-
-	-	-	-	-
-	-	-	-	-
-	-	-	-	-
DRAWN BY: AA		DATE: 12/7/17	CUSTOMER	
SCALE: DO NOT SCALE		DESCRIPTION: STANDARD ENCLOSURE		PART NUMBER: FEJ3024HPL




PARTS LIST			
ITEM	QTY	PART NUMBER	DESCRIPTION
1	1	WP3024HBOX	MOLDED J3024 BOX
2	1	WP3024HU	GASKET WP3024HCVR
3	1	RMHINGJ30	J SERIES HINGE 26.5
4	6	RMRIV64	SSD64SSBS RIVET
5	6	RMRIV68	SSD68SSBS RIVET
6	5	RMLATSSLXL	J3024 HPL LATCH
7	1	RMLABSTAHLIN3X2	STA1024 STAHLIN LOGO LABEL
8	4	RMINS3/8-16X11/16	3/8-16X11/16 BRASS INSERT 200-107

NOTES:
 1. RTV 732 SILICONE SEALANT SHALL BE APPLIED ON TOP OF RIVET AFTER

THIS DRAWING IS THE SOLE AND EXCLUSIVE PROPERTY OF ROBROY ENCLOSURES. NO PART OF THIS DRAWING MAY BE REPRODUCED, DISTRIBUTED, OR PUBLICALLY DISPLAYED IN ANY FORM OR BY ANY MEANS WITHOUT THE EXPRESS WRITTEN PERMISSION OF ROBROY ENCLOSURES. ALL RIGHTS RESERVED. UNDER THE COPYRIGHT LAWS. COPYRIGHT © 2017 ROBROY ENCLOSURES.

SPECIAL REQUIREMENTS

ASSEMBLY:
 1. (1) ACCESSORY KIT (FE4PKBPN) SHALL BE PACKAGED LOOSELY INSIDE ENCLOSURE
 HARDWARE INCLUDED:
 -(4) 3/8-16 x 1/2 HEX HEAD CAP SCREW T18
 -(4) 3/8 FLAT WASHER T18-8 SS

NEMA 250: TYPE 1, 3, 4, 4X, 12, 13 IEC 60529: IP66 COLOR: GLACIER GRAY (WPR3013) COLOR STANDARD: PANTONE 428 C	STANDARD P/N: J3024HPL CUSTOMER DWG:	ALL DIMENSIONS ARE IN INCHES UNLESS OTHERWISE SPECIFIED	TOLERANCES UNLESS SPECIFIED .XX ± 0.03 .XXX ± 0.010		
MATERIAL: FIBERGLASS REINFORCED POLYESTER (FRP)		 Robroy Enclosures 500 Maple Street Belding, Michigan 48809 Phone: 616-794-0700 Fax: 616-749-3378			
DRAWN BY: AA	DATE: 12/7/17			CUSTOMER:	DWG: J3024HPL
SCALE: DO NOT SCALE	DESCRIPTION: STANDARD ENCLOSURE			PART NUMBER: FEJ3024HPL	