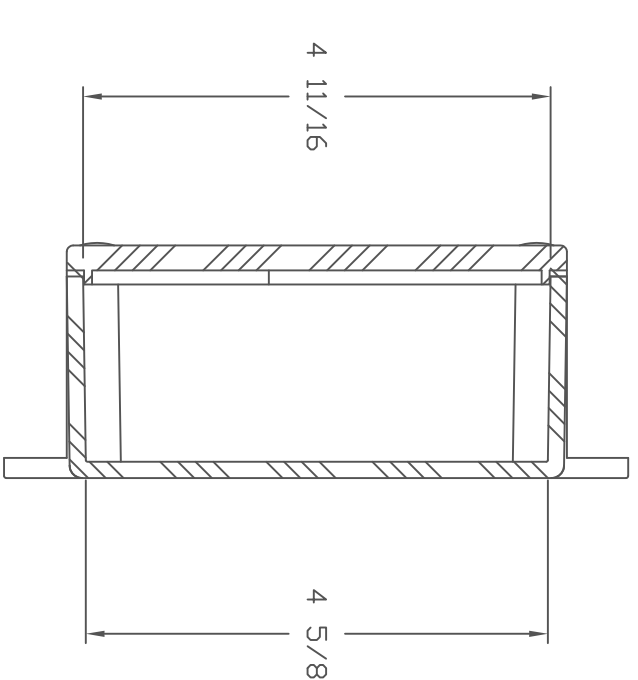
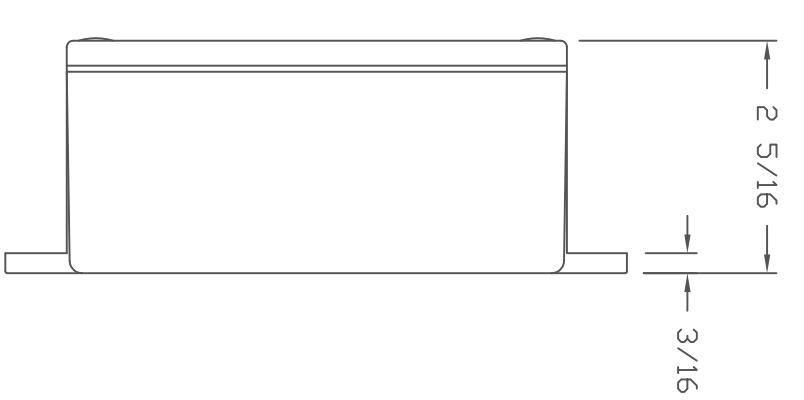
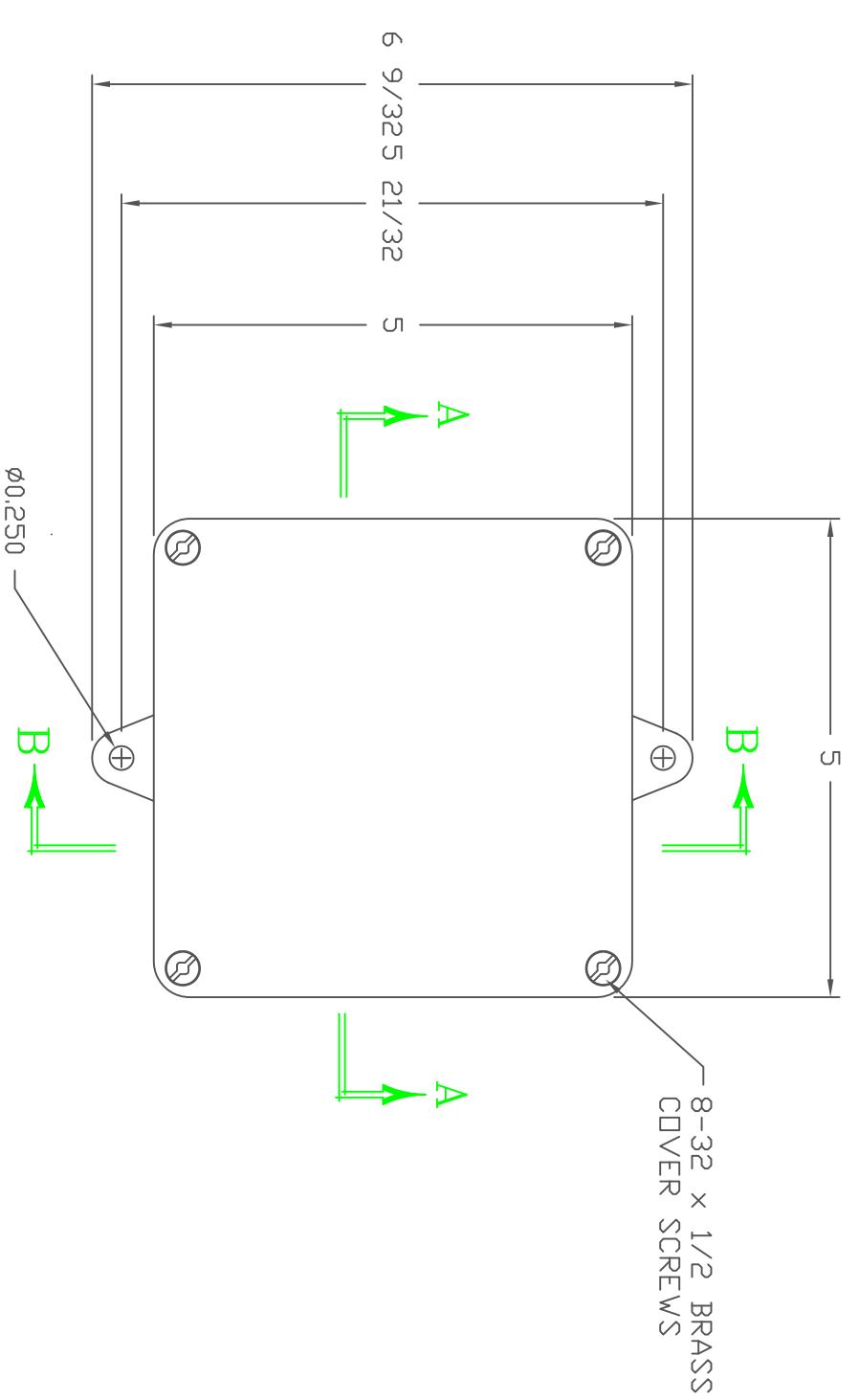
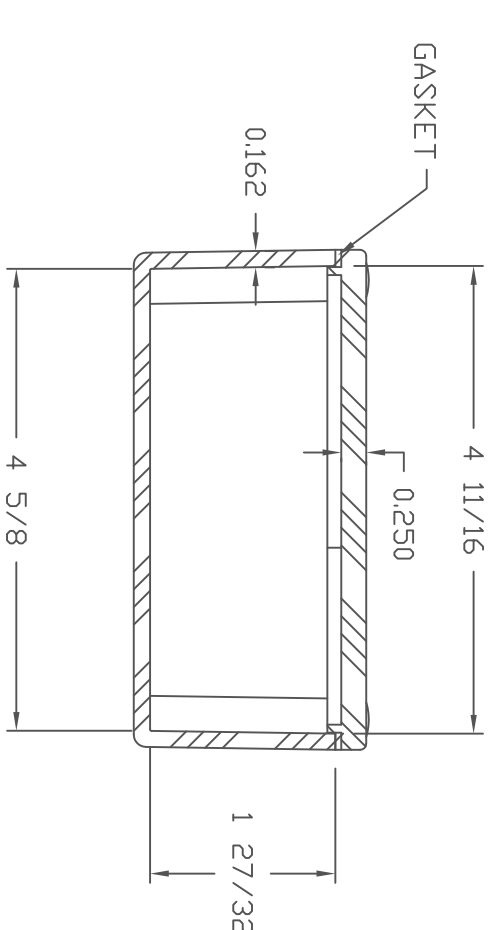
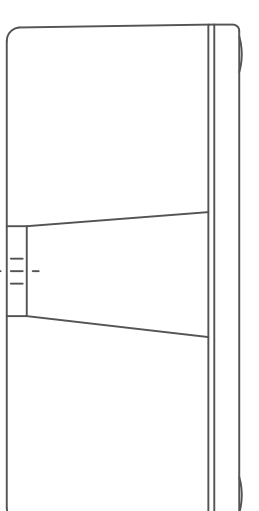


TOP VIEW
WITHOUT COVER



SECTION A-A



SECTION B-B

NOTES:

| | | | | | | | |
|--|-----------------|----------|---------|-----------------------------|------------|--|--|
| COLOR GRAY | | | | TOLERANCES UNLESS SPECIFIED | | | |
| | | | | DECIMAL | FRACTIONAL | | |
| | | | | ± .010 | ± 1/32 | | |
| MATERIAL | PVC | DR. BY | DATE | GASKET | | | |
| REV. BY | REVISION RECORD | GF | 3/22/00 | 0.162 | 0.250 | | |
| CHK. BY | DATE | CHD. | | 4 11/16 | 4 5/8 | | |
| APD. BY | DATE | APD. | DATE | 4 5/8 | 1 27/32 | | |
| SCALE | DO NOT SCALE | CUSTOMER | | GASKET | | | |
| PART NAME ENCLOSURE | | | | PART NO. J442PVC | | | |
| STAHLIN ENCLOSURES DIVISION OF KEMPER BUSINESS | | | | BELDING MICHIGAN 48909 | | | |
| Autocad DWG FILE | | | | J442PVC | | | |