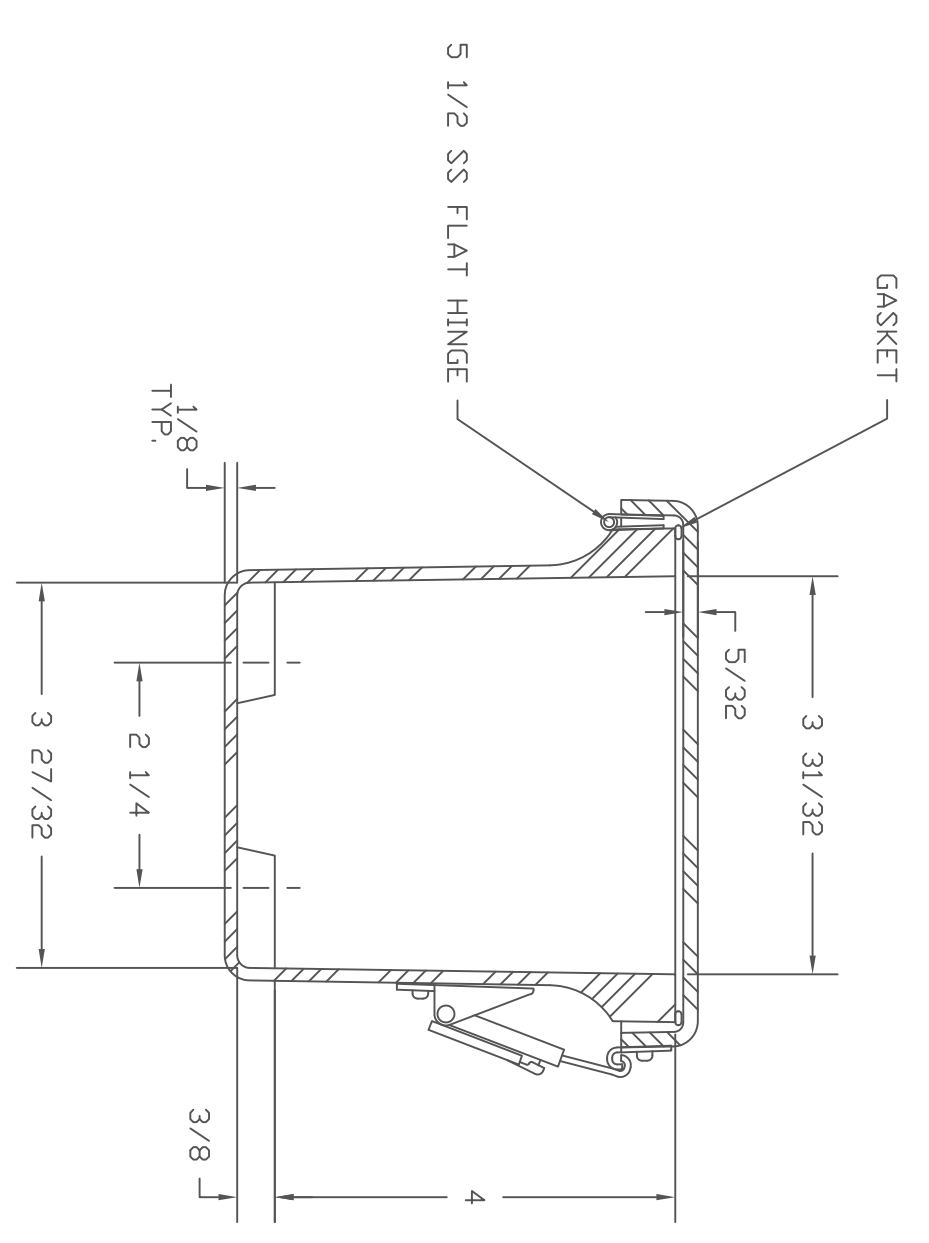
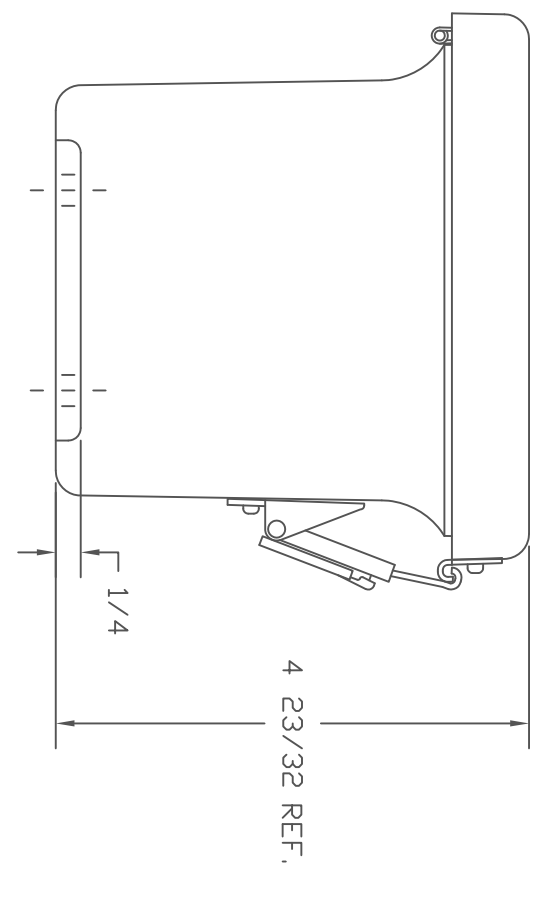


SECTION B-B



SECTION A-A

NOTES

MATERIAL		NEMA 4X		TOLERANCES		DECIMAL	FRACTIONAL
COLOR		GLACIER GRAY RR103		UNLESS SPECIFIED		± .010	± 1/32
DR. BY		DATE		STAHLIN ENCLOSURES			
SH		6/5/91		BELDING MICHIGAN			
CHK. BY		DATE		48909			
APD. BY		DATE		Autocad DWG FILE			
SCALE		DO NOT SCALE		PART NAME		PART NO.	
				ENCLOSURE		J604HLL	

LET.	REVISION	RECORD	DATE	BY	CHK.	DATE



BELDING MICHIGAN
48909