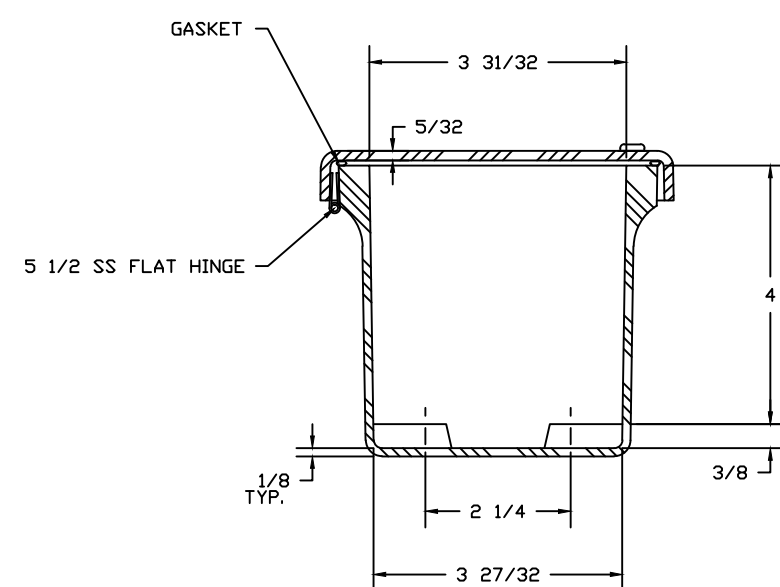
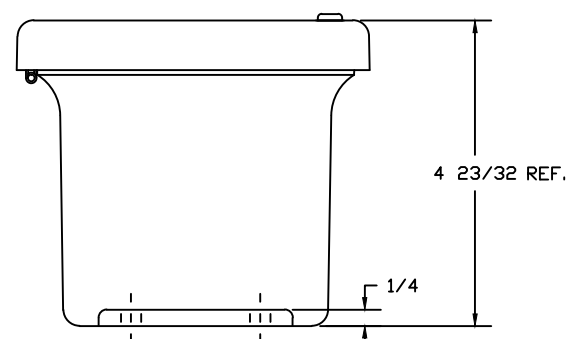



SECTION B-B



SECTION A-A

NOTES										TOLERANCES	DECIMAL	FRACTIONAL
NEMA 4X										UNLESS SPECIFIED	$\pm .010$	$\pm \frac{1}{32}$
COLOR GLACIER GRAY RR1013												
MATERIAL	F.R. POLYESTER FIBERGLASS									DR. BY	DATE	 BELDING, MICHIGAN 48809
LET.	REVISION RECORD	DATE	BY	CHK. BY	DATE	SH	6/5/91					
						APD. BY	DATE	CUSTOMER	AWGAD BWS FILE			
						SCALE	DO NOT SCALE	PART NAME	ENCLOSURE	PART NO.	J604HW	