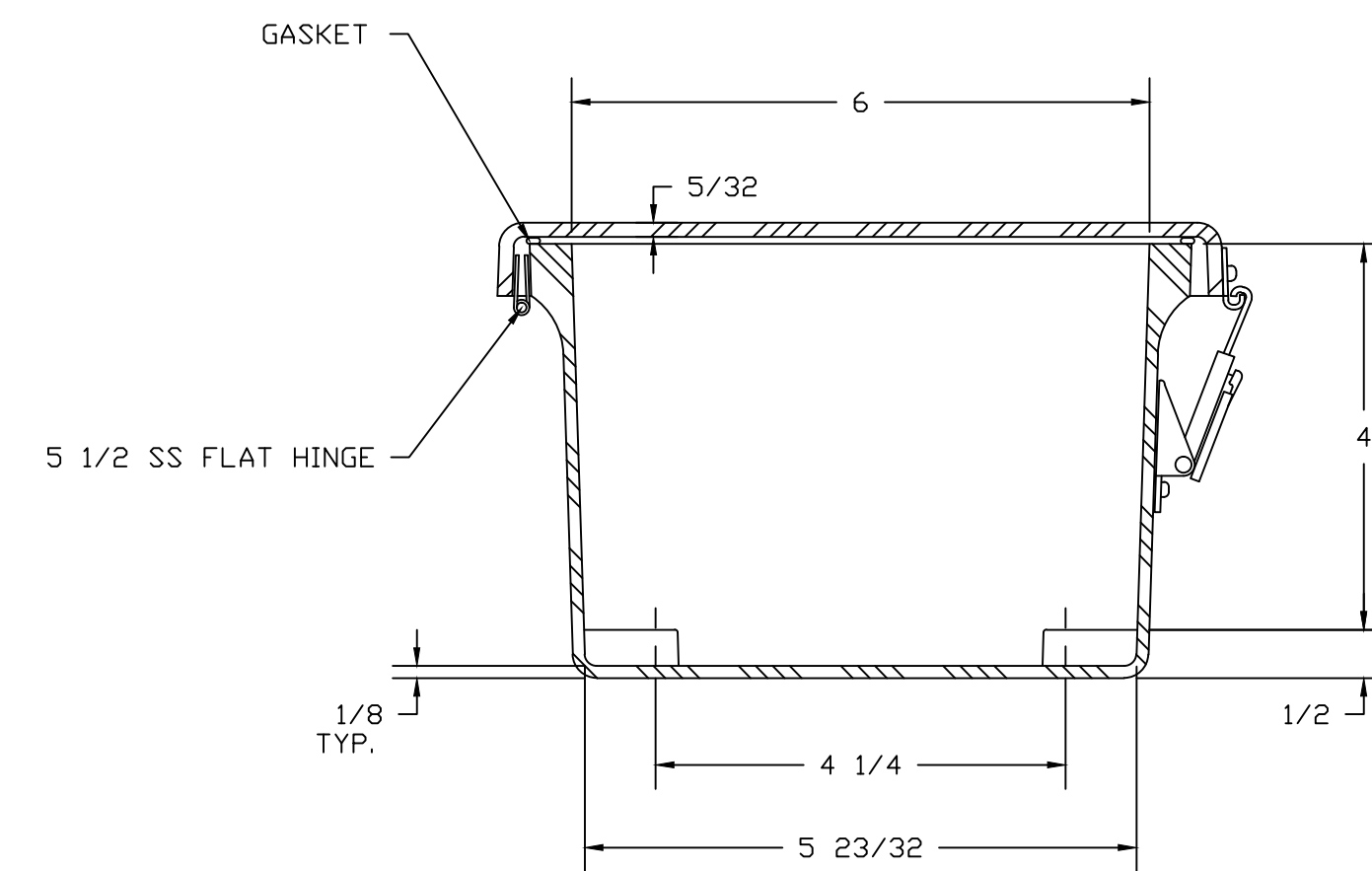
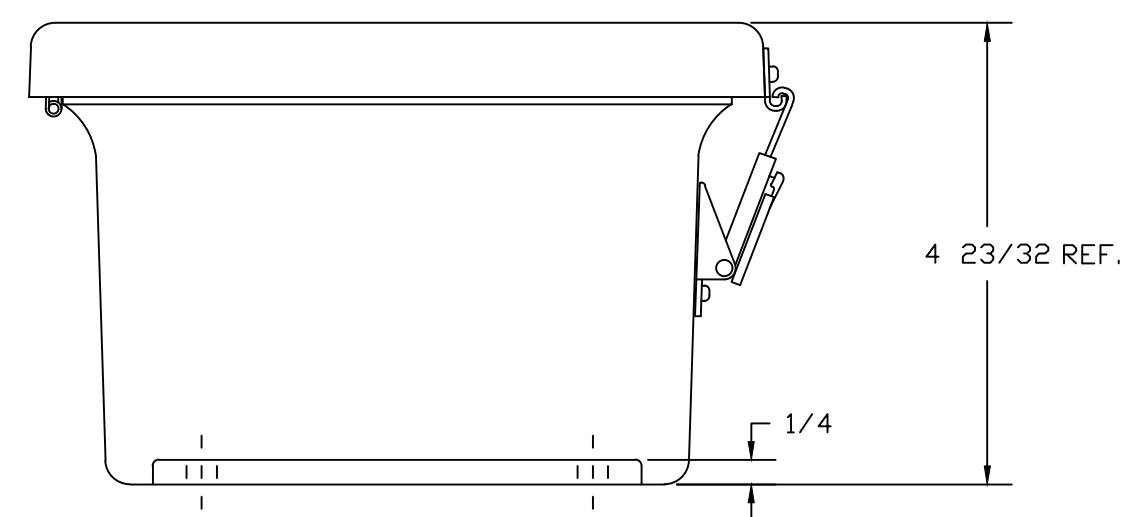



SECTION B-B



SECTION A-A

NOTES:

| | | | | | |
|----------------------------|---------------------------|-----------------------------|-----------|--|-------------------|
| NEMA 4X | | TOLERANCES UNLESS SPECIFIED | | DECIMAL ± .010 | FRACTIONAL ± 1/32 |
| COLD R GLACIER GRAY RR1013 | | | | | |
| MATERIAL | F.R. POLYESTER FIBERGLASS | DR. BY | DATE |  BELDING, MICHIGAN 48809 | |
| LET. | REVISION RECORD | SH | 6/10/91 | | |
| | | CHK. BY | DATE | CUSTOMER | |
| | | APD. BY | DATE | AutoCAD DWG. FILE | |
| | | | | J606HLL | |
| | | SCALE | PART NAME | PART NO. | J606HLL |
| | | DO NOT SCALE | ENCLOSURE | | |